

Flash memory for PC and server BIOS

Cross-reference guide



Introduction

How to use the cross-reference guide

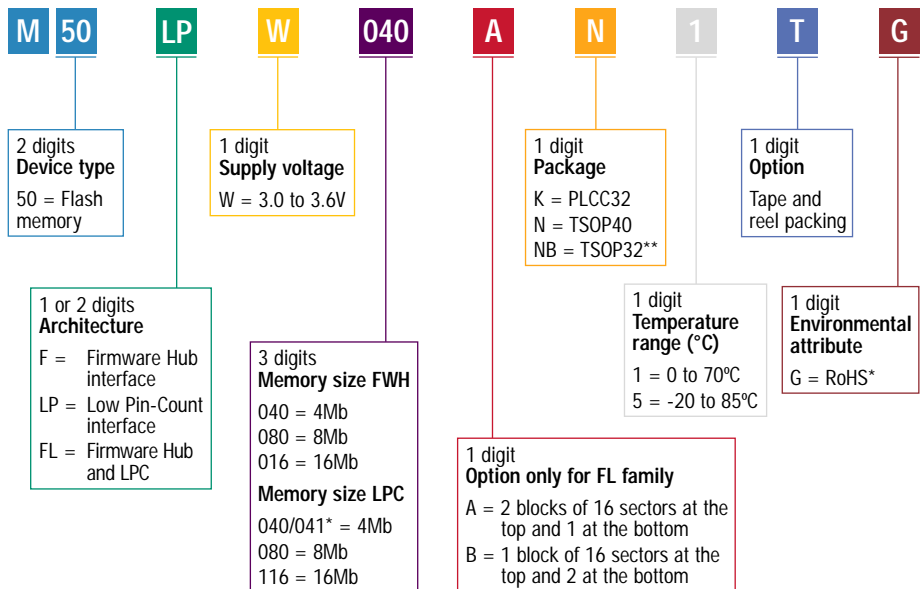
This cross-reference guide is intended to help you find out the ST product most compatible with devices from other vendors.

It is very easy to use: simply choose the competitor part number, according to memory size, and you will find the ST equivalent part number. In all cases, we recommend you check the parameters in the appropriate datasheet, to ensure that the product meets the requirements of your application. Please note that this guide is based on information published by others manufacturers at the time of publication.

Complete Serial Flash cross-reference information is available at www.st.com/flash or on the ST Intranet.

If you are interested in receiving more information about these and other products, or if you have any technical enquiry, please contact the ST sales office in your area, or send an e-mail to apps.fwh-lpc@st.com (for application support) or ask.memory@st.com (for general enquiries).

ST Flash for PC and server BIOS part numbering scheme



* RoHS compliant

** Introduction pending

Size	Atmel part number	ST part number ¹	ST preferred part number (RoHS) ²	Variations between Atmel and ST
2Mb	AT49LH002-33JC	Contact SNVM division's marketing		
	AT49LH002-33TC	Contact SNVM division's marketing		
4Mb	AT49LH004-33JC		M50FLW040AK5G M50FLW040BK5G	Superior granularity on ST part
	AT49LH004-33TC		M50FLW040AN5G M50FLW040BN5G	Superior granularity on ST part
	AT49LH00B4-33JC		M50FLW040AK5G M50FLW040BK5G	Superior granularity on ST part
	AT49LH00B4-33TC		M50FLW040AN5G M50FLW040BN5G	Superior granularity on ST part
	AT49LW040-33JC	M50FW040K1 M50FW040K1T	M50FLW040AK5G M50FLW040BK5G	
	AT49LW040-33TC	M50FW040N1 M50FW040N1T	M50FLW040AN5G M50FLW040BN5G	
8Mb	AT49LW080-33JC	M50FLW080K1	M50FLW080AK5G M50FLW080BK5G	
	AT49LW080-33TC	M50FW080N1 M50FW080N5 M50FW080N5T	M50FLW080AN5G M50FLW080BN5G	

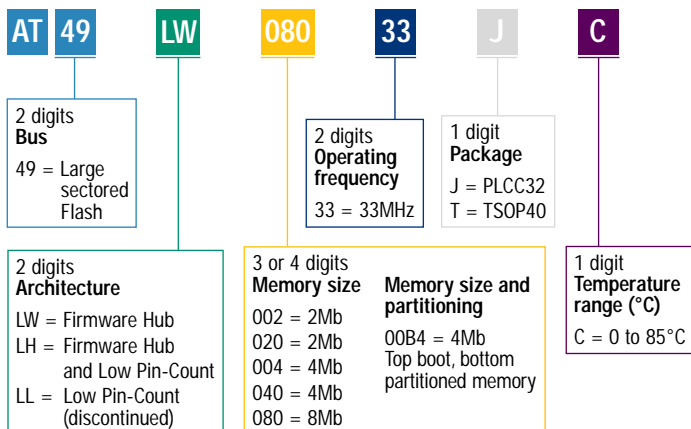
Notes:

Instruction set non-compatible

1. ST part number RoHS compliant 3Q04

2. ST preferred part number is RoHS compliant

ATMEL Flash for PC BIOS part numbering scheme



Temperature ranges: 0 to 85°C on Atmel products (0 to 70°C on ST parts, some extended to -20 to 85°C)

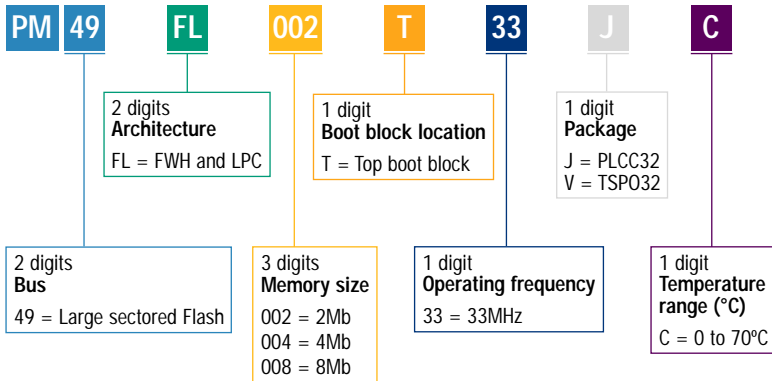
Size	PMC part number	ST part number ¹	ST preferred part number (RoHS) ²	Variations between PMC and ST
2Mb	Pm49FL002T-33JC	Contact SNVM division's marketing		
	Pm49FL002T-33VC	Contact SNVM division's marketing		
4Mb	Pm49FL004T-33JC	M50FLW040AK5 M50FLW040BK5	M50FLW040AK5G M50FLW040BK5G	Pins 26 and 28 inverted
	Pm49FL004T-33VC		M50FLW040AN5G M50FLW040BN5G	
8Mb	Pm49FL008T-33JC	M50FW080K1 M50LPW080K1	M50FLW080AK5G M50FLW080BK5G	Pins 26 and 28 inverted on PLCC;
	Pm49FL008T-33VC	M50FW080N1 M50FW080N5, N5T, M50LPW080N1	M50FLW080AN5G M50FLW080BN5G	TSOP40 instead of TSOP32

Notes:

Instruction set non-compatible with ST parts for all PMC part numbers

1. ST part number will be RoHS compliant 3Q04
2. ST preferred partnumber is RoHS compliant
3. Contact marketing for TSOP32 packaged devices

PMC Flash for PC BIOS part numbering scheme



Size	SST part number	ST part number ¹	ST preferred part number (RoHS) ²	Variations between SST and ST
2Mb	SST49LF002A-33-4C-WH	Contact SNVM division's marketing		
	SST49LF002A-33-4C-NH	Contact SNVM division's marketing		
	SST49LF002A-33-4C-WHE	Contact SNVM division's marketing		
	SST49LF002A-33-4C-NHE	Contact SNVM division's marketing		
	SST49LF020-33-4C-WH	Contact SNVM division's marketing		
	SST49LF020-33-4C-NH	Contact SNVM division's marketing		
3Mb	SST49LF030A-33-4C-WH	No equivalent		
	SST49LF030A-33-4C-NH	No equivalent		
4Mb	SST49LF004A-33-4C-WH	M50FW040N1 M50FW040N1T	M50FLW040AN5G M50FLW040BN5G	
	SST49LF004A-33-4C-NH	M50FW040K1 M50FW040K1T	M50FLW040AK5G M50FLW040BK5G	
	SST49LF004A-33-4C-WHE	M50FW040N1 M50FW040N1T	M50FLW040AN5G M50FLW040BN5G	TSOP40 instead of TSOP32
	SST49LF004A-33-4C-NHE	M50FW040K1 M50FW040K1T	M50FLW040AK5G M50FLW040BK5G	
	SST49LF004B-33-4C-EI		M50FLW040AN5G M50FLW040BN5G	
	SST49LF004B-33-4C-NH		M50FLW040AK5G M50FLW040BK5G	
	SST49LF004B-33-4C-EIE		M50FLW040AN5G M50FLW040BN5G	
	SST49LF004B-33-4C-NHE		M50FLW040AK5G M50FLW040BK5G	
	SST49LF040-33-4C-WH	M50LPW040N1	M50FLW040AN5G M50FLW040BN5G	TSOP40 instead of TSOP32
	SST49LF040-33-4C-NH	M50LPW040K1	M50FLW040AK5G M50FLW040BK5G	
8Mb	SST49LF008A-33-4C-WH	M50FW080N1 M50FW080N5 M50FW080N5T	M50FLW080AN5G M50FLW080BN5G	TSOP40 instead of TSOP32
	SST49LF008A-33-4C-NH	M50FW080K1	M50FLW080AK5G M50FLW080BK5G	
	SST49LF008A-33-4C-EI	M50FW080N1 M50FW080N5 M50FW080N5T	M50FLW080AN5G M50FLW080BN5G	
	SST49LF008A-33-4C-WHE	M50FW080N1 M50FW080N5 M50FW080N5T	M50FLW080AK5G M50FLW080BK5G	TSOP40 instead of TSOP32
	SST49LF008A-33-4C-NHE	M50FW080K1	M50FLW080AK5G M50FLW080BK5G	
	SST49LF008A-33-4C-EIE	M50FW080N1 M50FW080N5 M50FW080N5T	M50FLW080AN5G M50FLW080BN5G	

Size	SST part number	ST part number ¹	ST preferred part number (RoHS) ²	Variations between SST and ST
8Mb	SST49LF080A-33-4C-WH	M50LPW080N1	M50FLW040AN5G M50FLW040BN5G	TSOP40 instead of TSOP32
	SST49LF080A-33-4C-NH	M50LPW080K1	M50FLW040AK5G M50FLW040BK5G	

Notes:

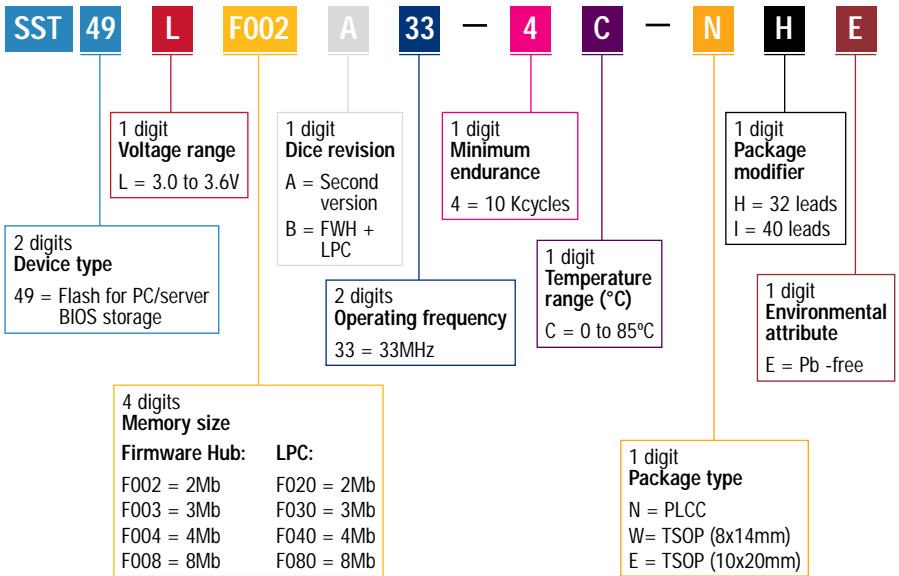
Instruction set non-compatible

1. ST part number will be RoHS compliant 2Q/04

2. ST preferred part number is RoHS compliant

3. Contact marketing for TSOP32 packaged devices

SST Flash for PC BIOS part numbering scheme



Temperature ranges: 0 to 85°C on SST products (0 to 70°C on ST's, some extended -20 to 85°C)

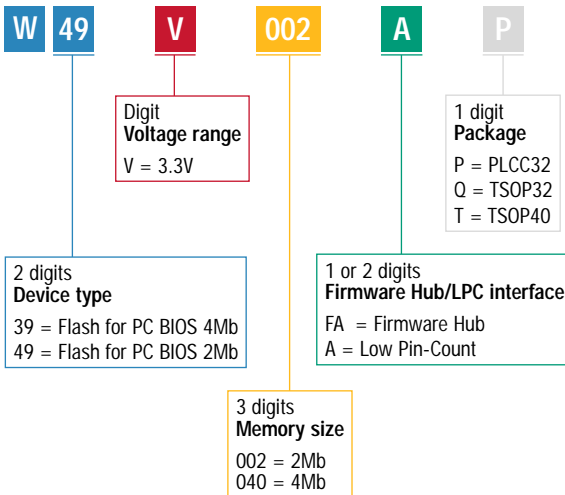
Size	Winbond part number	ST part number ¹	ST preferred part number (RoHS) ²	Variations between Winbond and ST
2Mb	W49V002A	Contact SNVM division's marketing		
	W49V002FA	Contact SNVM division's marketing		
4Mb	W39V040AP	M50LPW040K1	M50FLW040AK5G M50FLW040BK5G	Pins 26 and 28 inverted
	W39V040AQ	M50LPW040N1	M50FLW040AN5G M50FLW040BN5G	TSOP40 instead of TSOP32
	W39V040AT	M50LPW040N1	M50FLW040AN5G M50FLW040BN5G	
	W39V040FAP	M50FW040K1 M50FW040K1T	M50FLW080AK5G M50FLW080BK5G	Pins 26 and 28 inverted
	W39V040FAQ	M50FW040N1 M50FW040N1T	M50FLW040AN5G M50FLW040BN5G	TSOP40 instead of TSOP32
	W39V040FAT	M50FW040N1 M50FW040N1T	M50FLW040AN5G M50FLW040BN5G	

Notes:

Instruction set non-compatible

1. ST part number will be RoHS compliant 20/04
2. ST preferred part number is RoHS compliant
3. Contact marketing for TSOP32 packaged devices

Winbond Flash for PC BIOS part numbering scheme





Information furnished is believed to be accurate and reliable. However, STMicroelectronics assumes no responsibility for the consequences of use of such information nor for any infringement of patents or other rights of third parties which may result from its use. No license is granted by implication or otherwise under any patent or patent rights of STMicroelectronics. Specifications mentioned in this publication are subject to change without notice. This publication supersedes and replaces all information previously supplied. STMicroelectronics products are not authorized for use as critical components in life support devices or systems without express written approval of STMicroelectronics.

© STMicroelectronics - March 2004 - Printed in Italy - All rights reserved

The STMicroelectronics corporate logo is a registered trademark of the STMicroelectronics group of companies. All other names are the property of their respective owners.

For selected STMicroelectronics sales offices fax:

France +33 1 55489569; Germany +49 89 4605454; Italy +39 02 8250449; Japan +81 3 57838216; Singapore +65 6481 5124;
Sweden +46 8 58774411; Switzerland +41 22 9292900; United Kingdom and Eire +44 1628 890391; USA +1 781 861 2678

Full product information at www.st.com

ORDER CODE: CRMEMB05/0304

