

Automotive Relay Series 汽车继电器系列--QYT78

FEATURES 特点

- Up to 20A contact switching capability
高达20A触点切换能力
- 1 Form A, 1 Form B, 1 Form C and 2 Form A configurations
具有一组常开、一组常闭、一组转换和二组常开触点形式
- Small volume and anti-shock
体积小, 防冲击
- Overall dimensions (15.5X12.1X13.8) mm.
外形尺寸 (15.5X12.1X13.8) mm。



CONTACT PARAMETERS 触点参数

Contact Form 触点形式	H-1组常开, D-1组常闭, Z-1组转换	2H(桥式动合触点)
Rating Load (Resistive) 额定负载 (阻性)	20A 14VDC	2X6A 14VDC
Max. Switching Current 最大切换电流	35A	2X10A
Max. Switching Voltage 最大切换电压	16VDC	16VDC
Max. Switching Power 最大切换功率	280W	2X160W

CHARACTERISTICS 性能参数

Contact Materials 触点材料	Ag Alloy 银合金	
Contact Resistance 接触电阻	100mΩ Max	
Operate Time 吸合时间	10ms. Max	
Release Time 释放时间	5ms. Max	
Insulation Resistance 绝缘电阻	100MΩ Min. (DC500V)	
Initial Dielectric Strength 介质耐压	between open contacts: 触点与触点间:	AC550V, 50/60Hz 1Min
	between contacts and coil: 触点与线圈间:	AC550V, 50/60Hz 1Min
Vibration Resistance 抗振动	Damage limits: 耐久:	10~55Hz Double Amplitude 双振幅 1.5mm
	Malfunction: 误动作:	10~55Hz Double Amplitude 双振幅 1.5mm
Shock Resistance 抗冲击	Damage limits: 耐久:	10G Min
	Malfunction: 误动作:	100G Min
Life 寿命	Mechanical Life (10800 per hour) 机械寿命 (每小时10800次)	1×10 ⁷
	Electrical Life (600 per hour) 电气寿命 (每小时600次)	1×10 ⁵
Ambient Temperature 环境温度	-40°C ~ +125°C (No condensation) (不冷凝)	
Unit Weight 单位重量	约 Approx. 6.0g	

COIL RATINGS (at20°C) 线圈参数 (在20°C)

Coil Nominal Voltage 额定电压 (VDC)	Nominal Current 额定电流 ±10%(mA)	Coil Resistance 线圈电阻 ±10% (Ω)	Max. Continuous Voltage 最大连续外加电压	Pick-Up Voltage 吸合电压 (Max)	Drop-Out Voltage 释放电压 (Min)	Rated power 额定功率
6	60.00	100	Coil Nominal Voltage 110% 额定电压的 110%	Coil Nominal Voltage 90% 额定电压的 90%	Coil Nominal Voltage 10% 额定电压的 10%	0.36W
9	40.00	225				
12	30.00	400				
24	20.00	1600				
6	100.00	60	Coil Nominal Voltage 110% 额定电压的 110%	Coil Nominal Voltage 90% 额定电压的 90%	Coil Nominal Voltage 10% 额定电压的 10%	0.6W
9	66.67	135				
12	50.00	240				
24	25.00	960				
6	130.00	45	Coil Nominal Voltage 110% 额定电压的 110%	Coil Nominal Voltage 90% 额定电压的 90%	Coil Nominal Voltage 10% 额定电压的 10%	0.8W
9	90.00	102				
12	70.00	180				
24	30.00	720				

ORDERING INFORMATION 订货标记

QYT78-012-H-S-L-(XXX) 1 2 3 4 5 6	
1. Model Number 基本型号: QYT78	4. Enclosure: S-General Type, K-Sealed Type 封装形式: S-标准型, K-密封型
2. Coil Voltage 线圈规格 (VDC): 06,09,12,24	5. Coil Power: L-0.36W, Nil-0.6W, T-0.8W 线圈功率: L-0.36W, 无-0.6W, T-0.8W
3. Contact Form: H-1 Form A, D-1 Form B, Z-1 Form C, 2H-2 Form A 触点形式: H-1组常开, D-1组常闭, Z-1组转换, 2H-2组常开	6. Features: XXX-Client Specific Requirements, Nil-Standard Type 特性号: XXX-客户特殊要求, 无-标准型

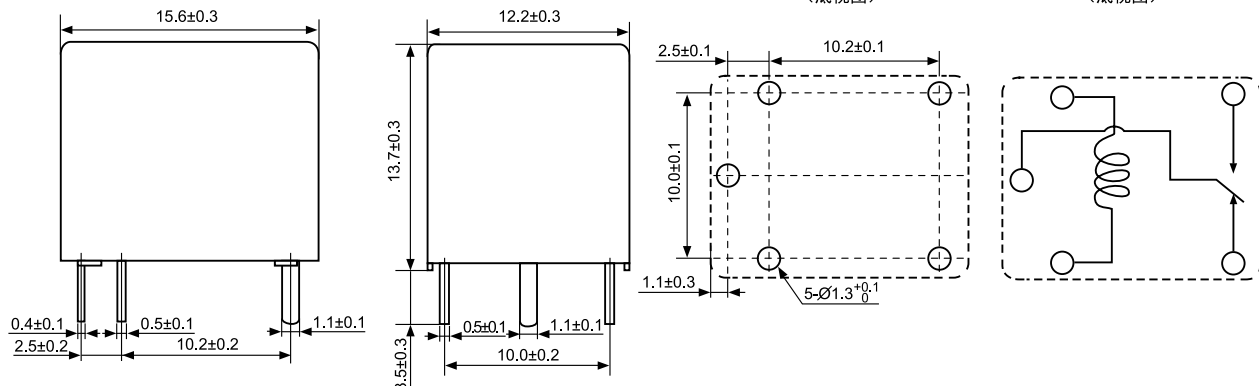
OUTLINE DIMENSIONS (UNIT:mm) 外形尺寸 (单位: mm)

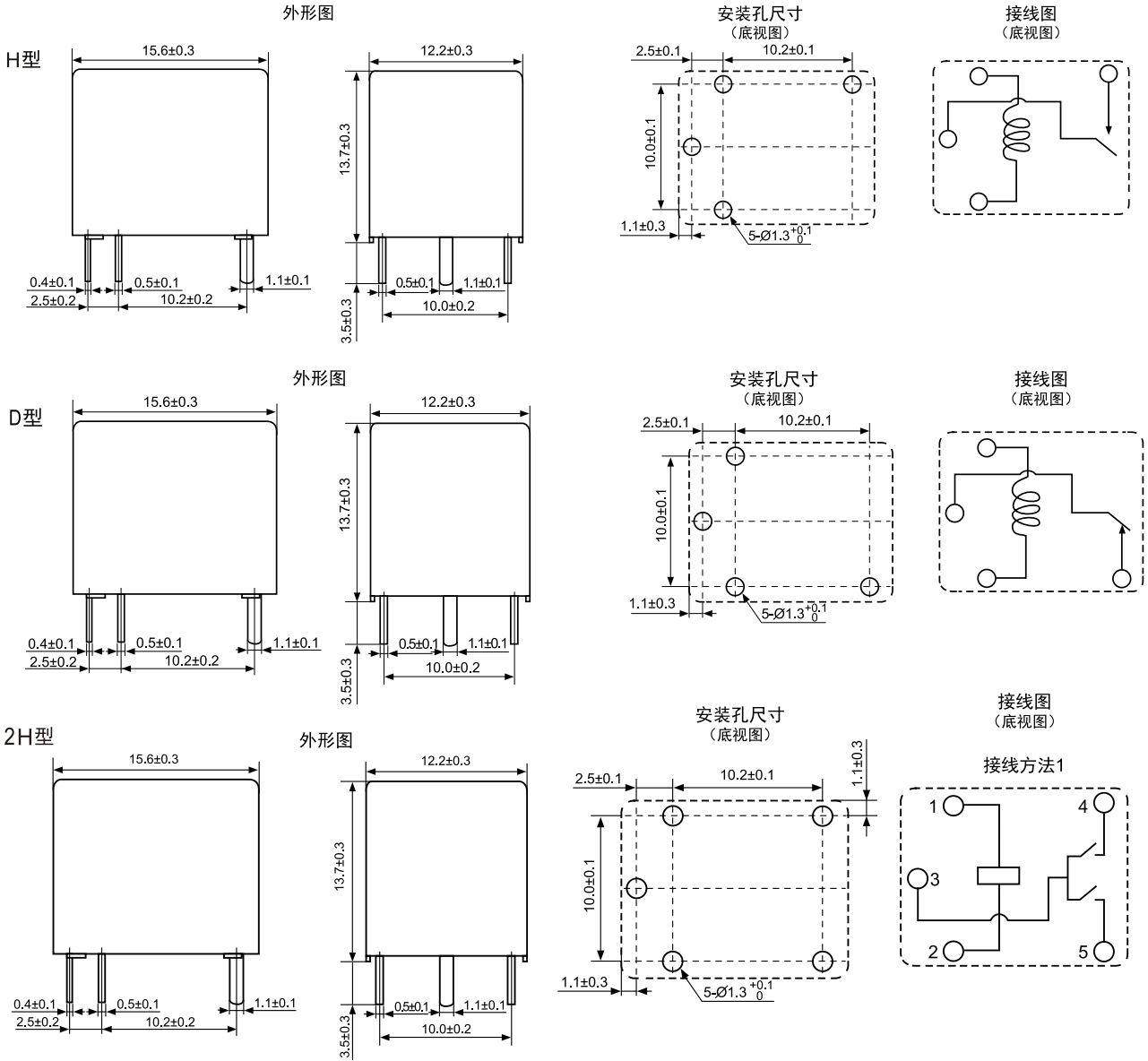
Z型

外形图

安装孔尺寸
(底视图)

接线图
(底视图)





TYPICAL USE 典型用途

- Car door lock motor control, Home appliances, Office equipment, Automatic burglar alarm and so on.
- 汽车门锁马达控制, 家电, 办公设备, 自动防盗报警器等。

PERFORMANCE CHART 性能曲线图

