

## 97 DC blower Series x94x33mm

UL us CE RoHS

Optional Features



### GENERAL SPECIFICATIONS

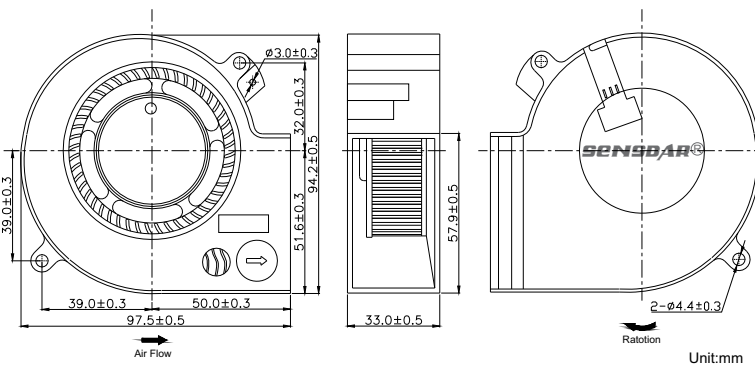
Bearing Type: Sleeve Bearing & Ball Bearing  
 Material: Impeller & Frame: Plastic (UL94V-0)  
 Lead Wire: UL Type  
 Operation Temperature: -10°C-70°C, 35%-85%RH  
 Storage Temperature: -40°C-80°C, 35%-85%RH



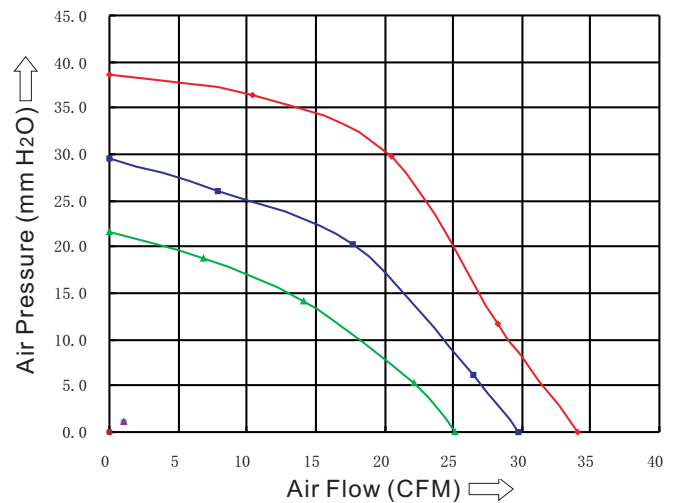
### SPECIFICATIONS

Model	Bearing System		Rated Voltage	Operation Voltage	Rated Current	Rated Speed	Air Flow	Air Pressure	Noise Level	Weight
	Ball	Sleeve	VDC	VDC	A	RPM	CFM	mmH <sub>2</sub> O	dBA	g
SB9733H1X	●	●	12.0	6.0-13.8	1.00	4000	34.0	38.5	60	85
SB9733M1X	●	●			0.75	3500	29.8	29.5	55	
SB9733L1X	●	●			0.50	3000	25.2	21.7	50	
SB9733H2X	●	●	24.0	12.0-27.6	0.60	4000	34.0	38.5	60	
SB9733M2X	●	●			0.40	3500	29.8	29.5	55	
SB9733L2X	●	●			0.30	3000	25.2	21.7	50	
SB9733H4X	●	●	48.0	24-55.2	0.30	4000	34.0	38.5	60	
SB9733M4X	●	●			0.20	3500	29.8	29.5	55	
SB9733L4X	●	●			0.12	3000	25.2	21.7	50	

### DIMENSIONS DRAWING



### P&Q CURVE (AT RATED VOLTAGE)



Note:

- \*All readings are typical values at rated voltage.
- \*Specifications are subject to change without prior notice.
- \*"X" in model list can be B, S, and C, meaning Dual Ball Bearing, Sleeve Bearing and 1 Ball 1 Sleeve Bearing