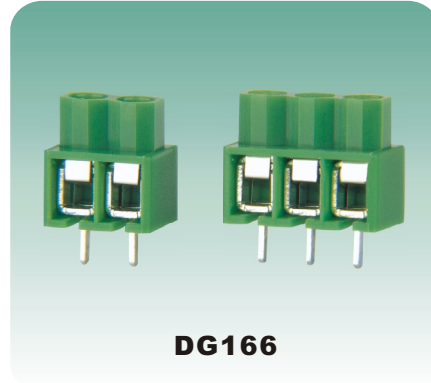
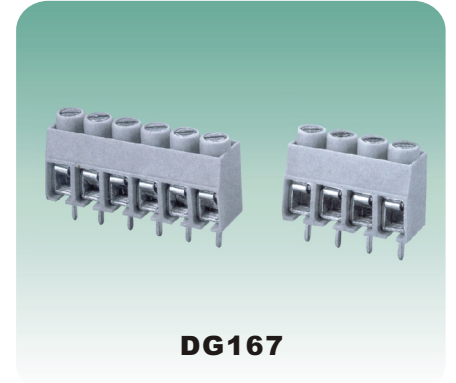




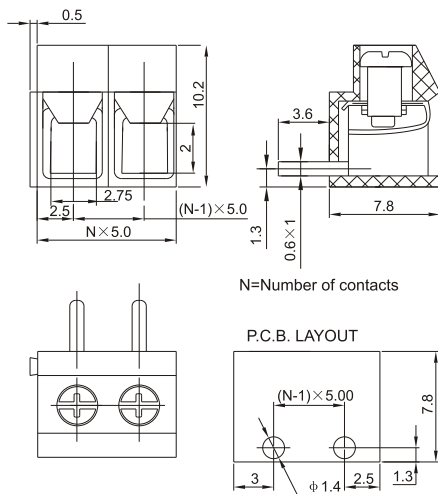
DG126R



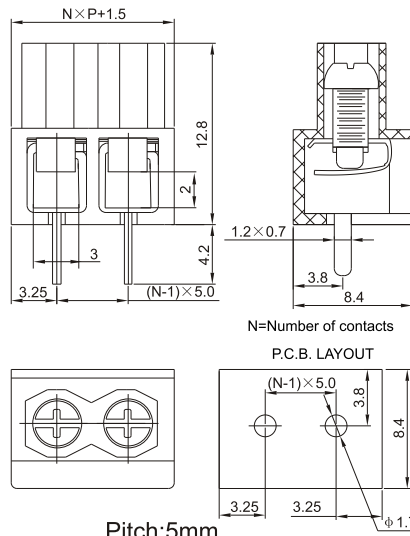
DG166



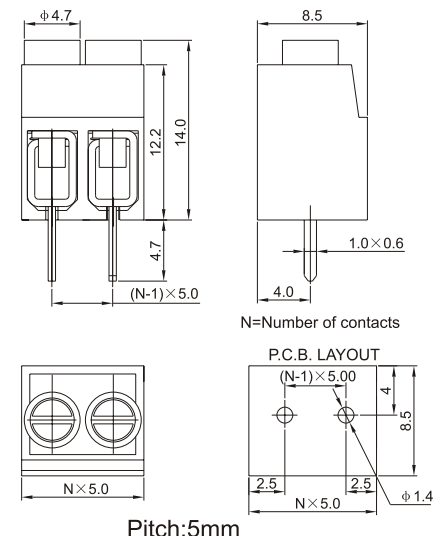
DG167



Pitch:5mm



Pitch:5mm



Pitch:5mm

● 材质及电镀

螺丝: M2.5, 钢, 镀锌
簧片: 磷青铜, 镀镍或不锈钢
焊针: 黄铜, 镀锡
塑料: PA66, UL94V-0

● 电气性能

额定电压: 300V
额定电流: 10A
接触电阻: 20mΩ
绝缘电阻: 5000MΩ/1000V
耐电压: AC1500V/1Min
使用线径: 26-14AWG 1.5mm²

● 机械性能

温度范围: -40°C~+105°C
瞬时温度: +250°C 5秒
扭矩: 0.4Nm (3.6lb.in)
剥线长度: 6-7mm

● Material

Screws: M2.5 steel Zinc plated
Wire guard: Phosphor bronze Ni plated or stainless steel
Pin header: Brass, Tin plated
Housing: PA66, UL94V-0

● Electrical

Rated voltage: 300V
Rated current: 10A
Contact resistance: 20mΩ
Insulation resistance: 5000MΩ/1000V
Withstanding voltage: AC1500V/1Min
Wire range: 26-14AWG 1.5mm²

● Mechanical

Temp.Range: -40°C~+105°C
MAX Soldering: +250°C, for 5 Sec.
Torque: 0.4Nm (3.6lb.in)
Strip length: 6-7mm

● 材质及电镀

螺丝: M3, 钢, 镀锌
簧片: 磷青铜, 镀镍或不锈钢
焊针: 黄铜, 镀锡
塑料: PA66, UL94V-0

● 电气性能

额定电压: 300V
额定电流: 12A
接触电阻: 20mΩ
绝缘电阻: 5000MΩ/1000V
耐电压: AC1500V/1Min
使用线径: 18-12AWG 2.5mm²

● 机械性能

温度范围: -40°C~+105°C
瞬时温度: +250°C 5秒
扭矩: 0.5Nm (4.5lb.in)
剥线长度: 6-7mm

● Material

Screws: M3 steel Zinc plated
Wire guard: Phosphor bronze Ni plated or stainless steel
Pin header: Brass, Tin plated
Housing: PA66, UL94V-0

● Electrical

Rated voltage: 300V
Rated current: 12A
Contact resistance: 20mΩ
Insulation resistance: 5000MΩ/1000V
Withstanding voltage: AC1500V/1Min
Wire range: 18-12AWG 2.5mm²

● Mechanical

Temp.Range: -40°C~+105°C
MAX Soldering: +250°C, for 5 Sec.
Torque: 0.5Nm (4.5lb.in)
Strip length: 6-7mm

● 材质及电镀

螺丝: M2.5, 钢, 镀锌
触点材料: 磷青铜
焊针: 黄铜, 镀锡
塑料: PA66, UL94V-0

● 电气性能

额定电压: 300V
额定电流: 15A
接触电阻: 20mΩ
绝缘电阻: 5000MΩ/1000V
耐电压: AC1500V/1Min
使用线径: 22-12AWG 2.5mm²

● 机械性能

温度范围: -40°C~+105°C
瞬时温度: +250°C 5秒
扭矩: 0.4Nm (3.6lb.in)
剥线长度: 6-7mm

● Material

Screws: M2.5 steel Zinc plated
Contact: Phosphor bronze
Pin header: Brass, Tin plated
Housing: PBT, UL94V-0

● Electrical

Rated voltage: 300V
Rated current: 15A
Contact resistance: 20mΩ
Insulation resistance: 5000MΩ/1000V
Withstanding voltage: AC1500V/1Min
Wire range: 22-12AWG 2.5mm²

● Mechanical

Temp.Range: -40°C~+105°C
MAX Soldering: +250°C, for 5 Sec.
Torque: 0.4Nm (3.6lb.in)
Strip length: 6-7mm