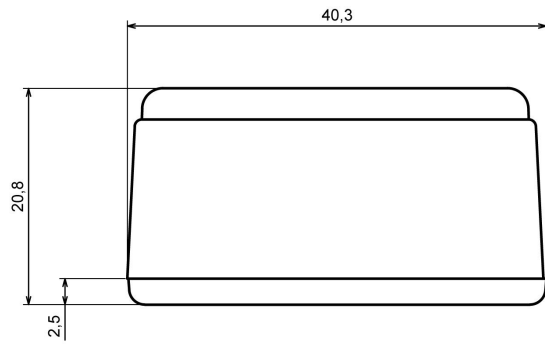
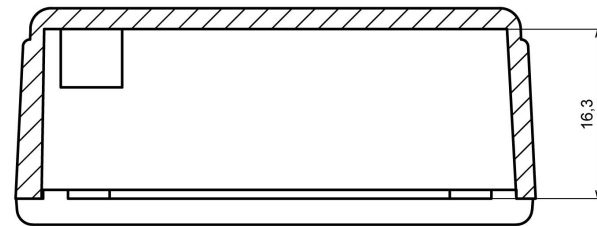


A |

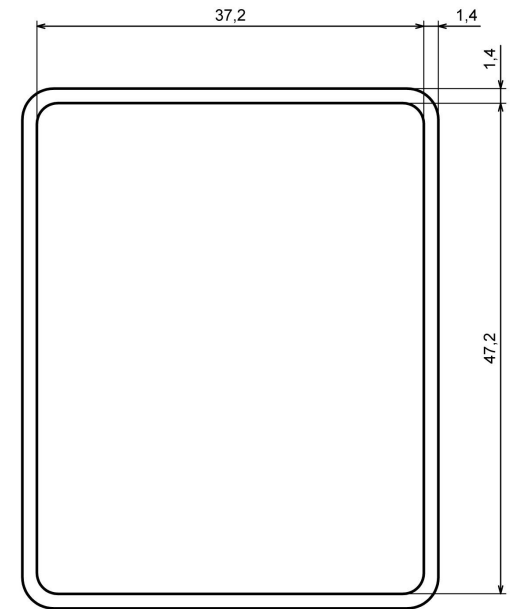
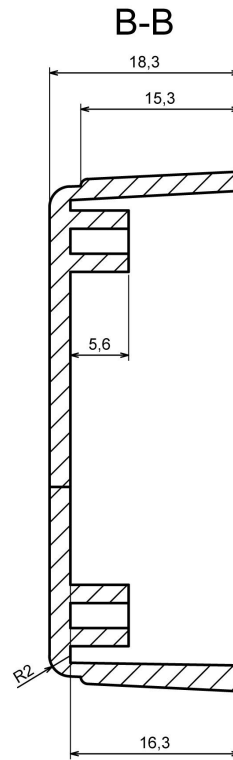
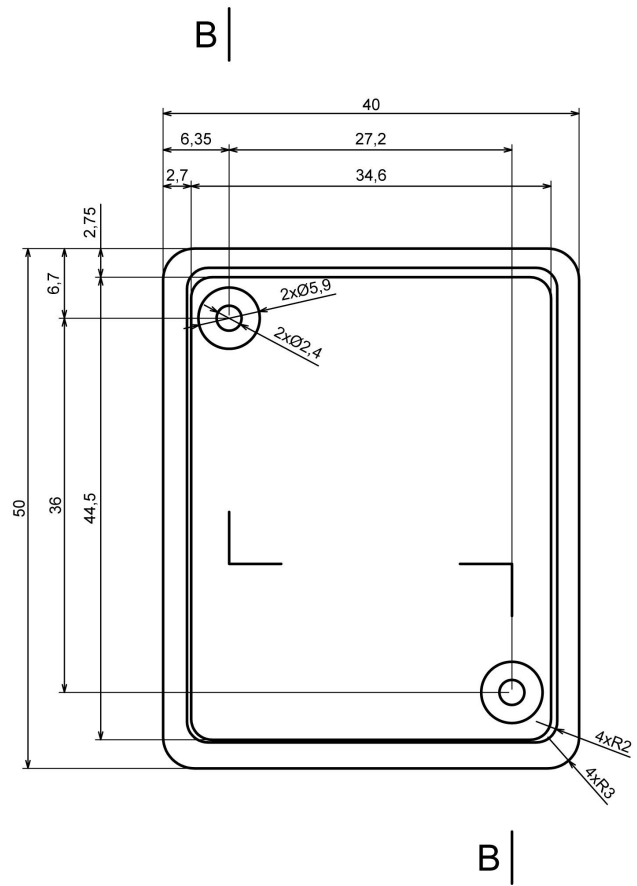


A |

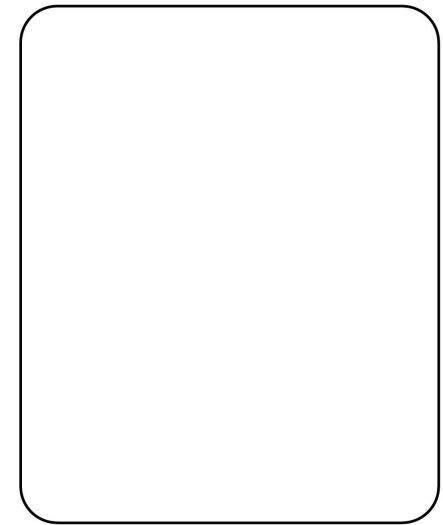
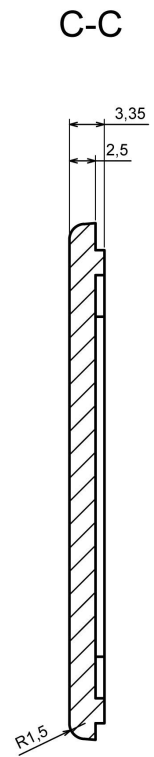
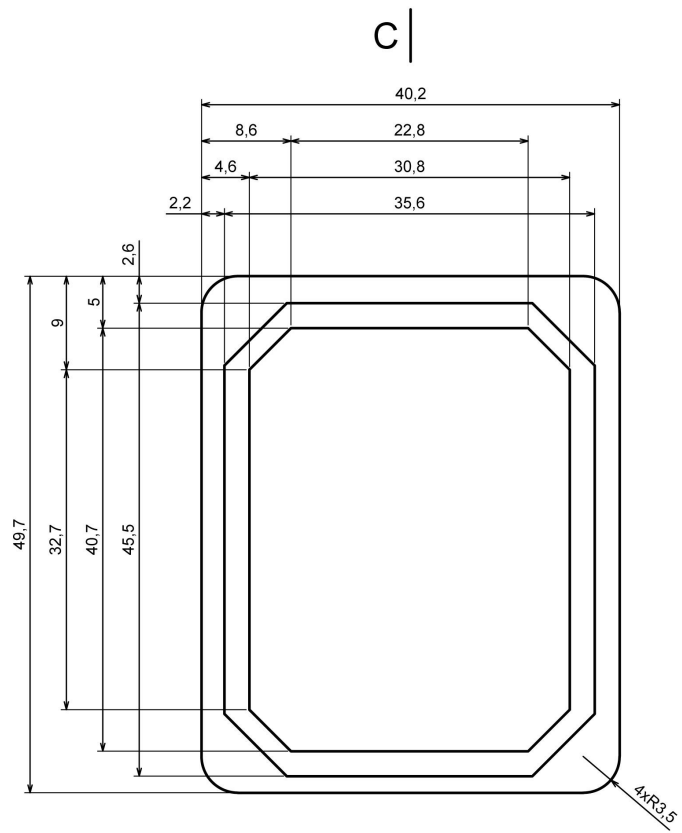
A-A



All rights reserved		
Product model	Enclosure Z47 - Assembly	
Format: A3	Material: PS, ABS	
Scale 2:1	Tolerance: +/- 0.5	



All rights reserved		
Product model	Enclosure Z47 - Base	
Format: A3	Material: PS, ABS	
Scale 2:1	Tolerance: +/- 0.5	



c |

All rights reserved		
Product model	Enclosure Z47 - Cover	
Format: A3	Material: PS, ABS	
Scale 2:1	Tolerance: +/- 0.5	