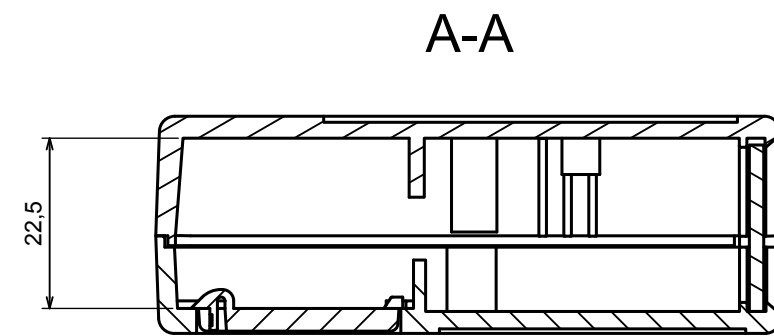


A |



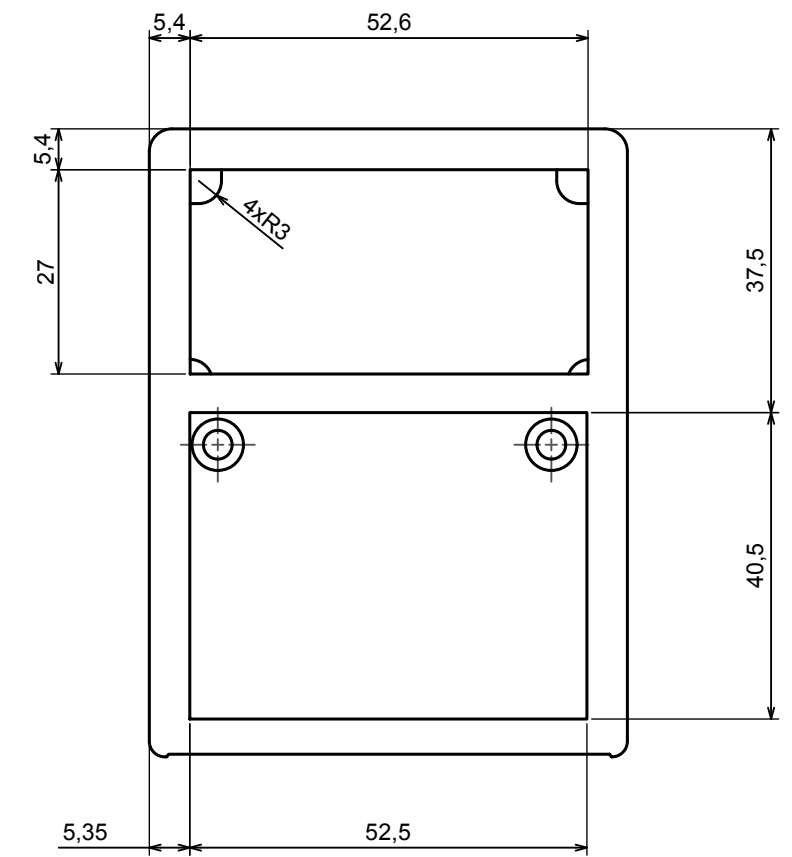
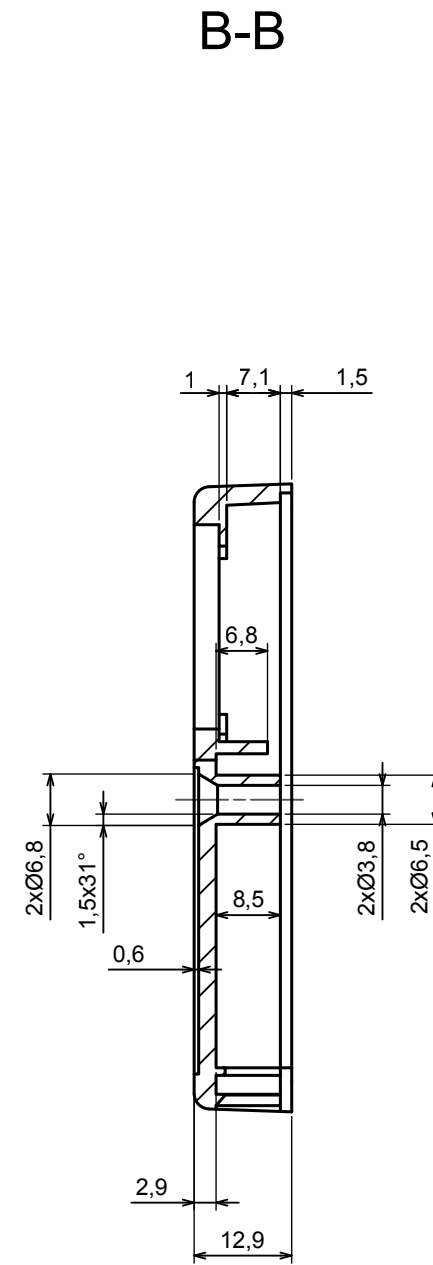
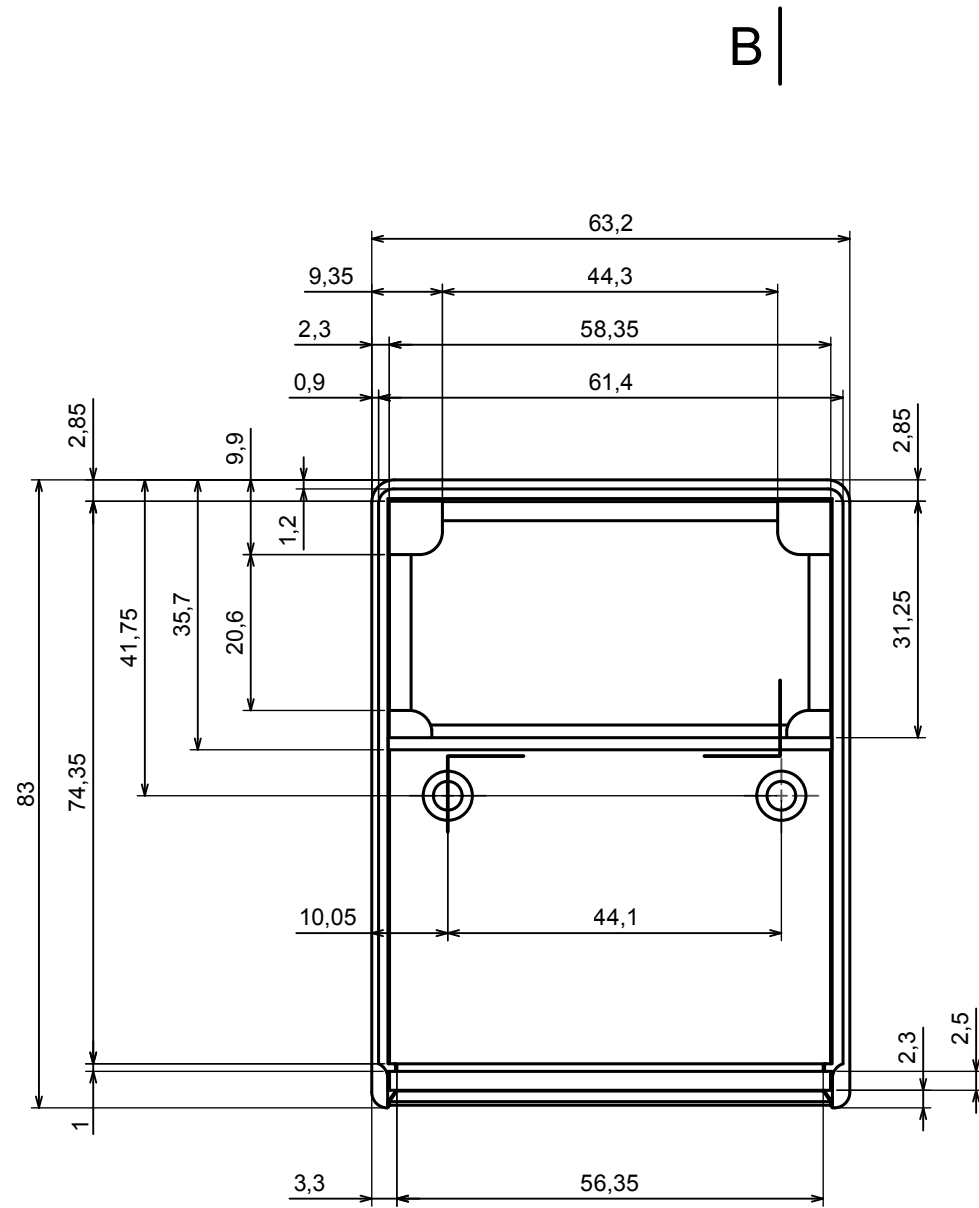
All rights reserved, Copyright Kradex 2017

Product model	Enclosure Z62 - Assembly
---------------	--------------------------

Format: A3	Material: PS, ABS
------------	-------------------

Scale 1:1	Tolerance: +/- 0.5
-----------	--------------------





B |

All rights reserved, Copyright Kradex 2017

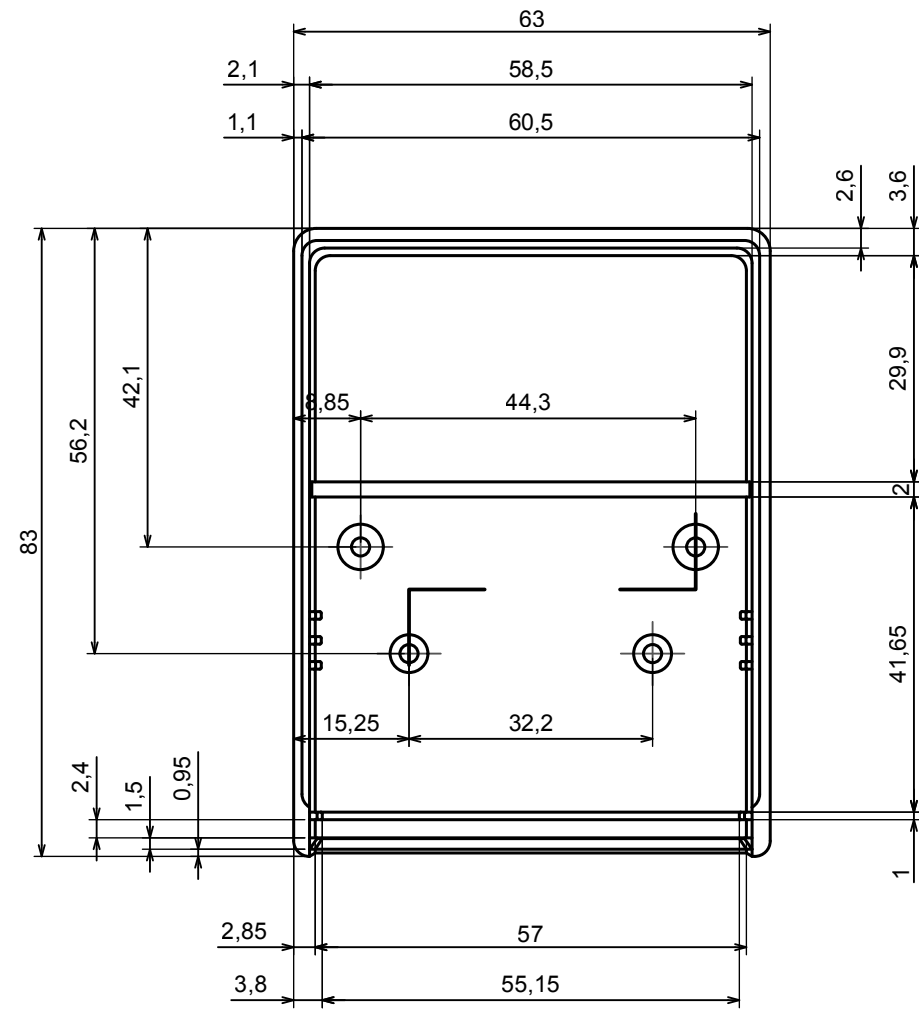
Product model: Enclosure Z62 - Base

Format: A3 Material: PS, ABS

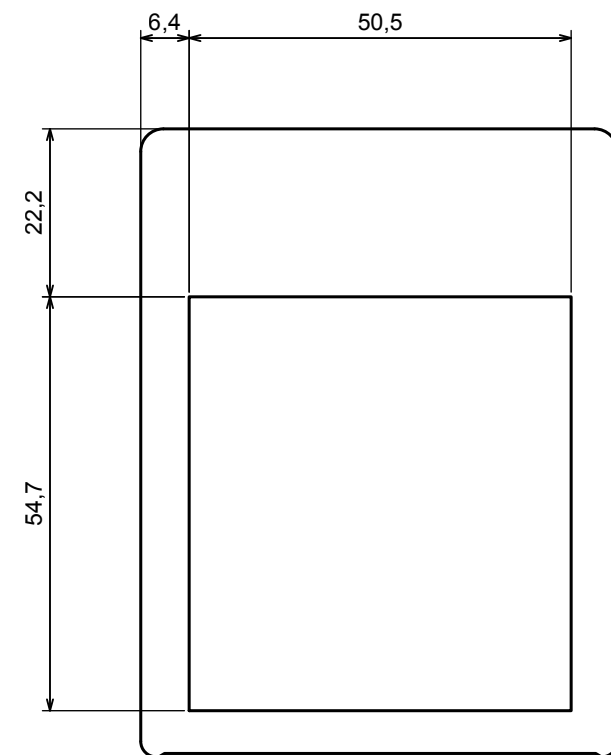
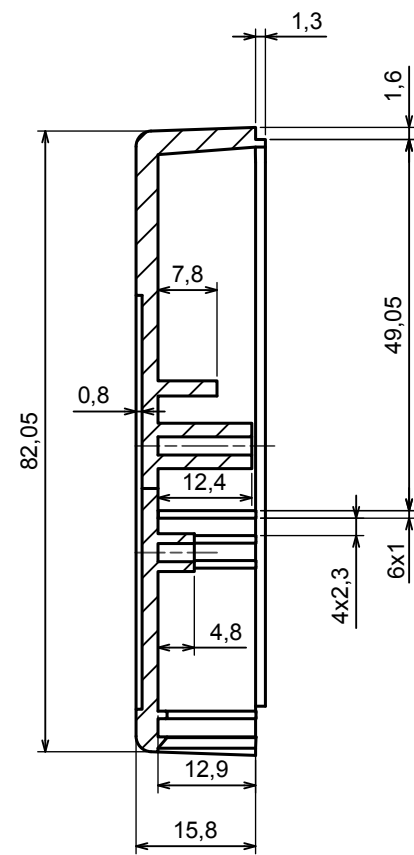
Scale 1:1 Tolerance: +/- 0.5



c |



C-C



c |

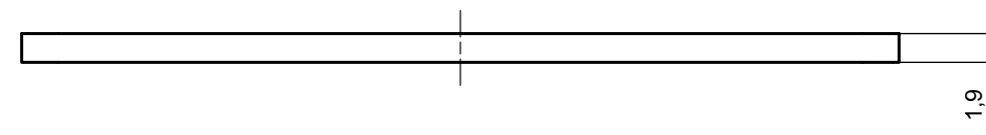
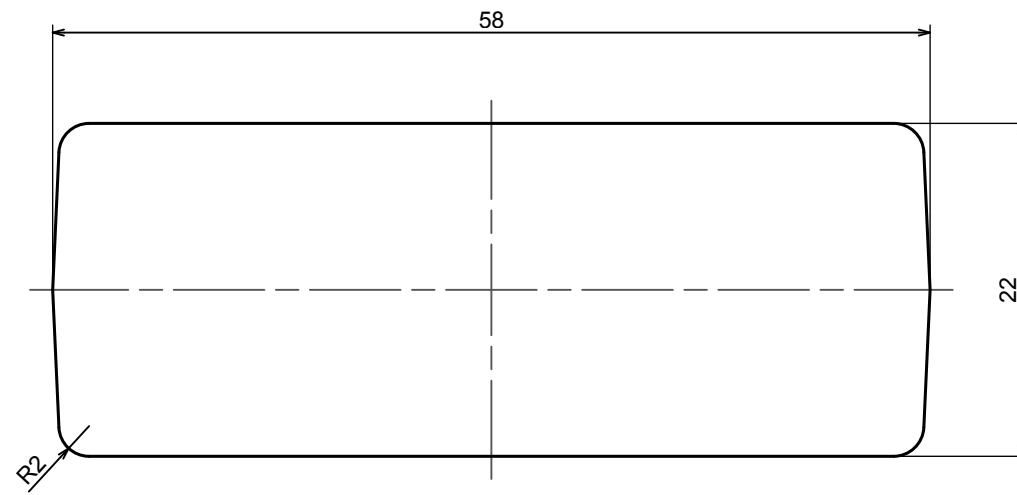
All rights reserved, Copyright Kradex 2017


Product model Enclosure Z62 - Cover

Format: A3 Material: PS, ABS

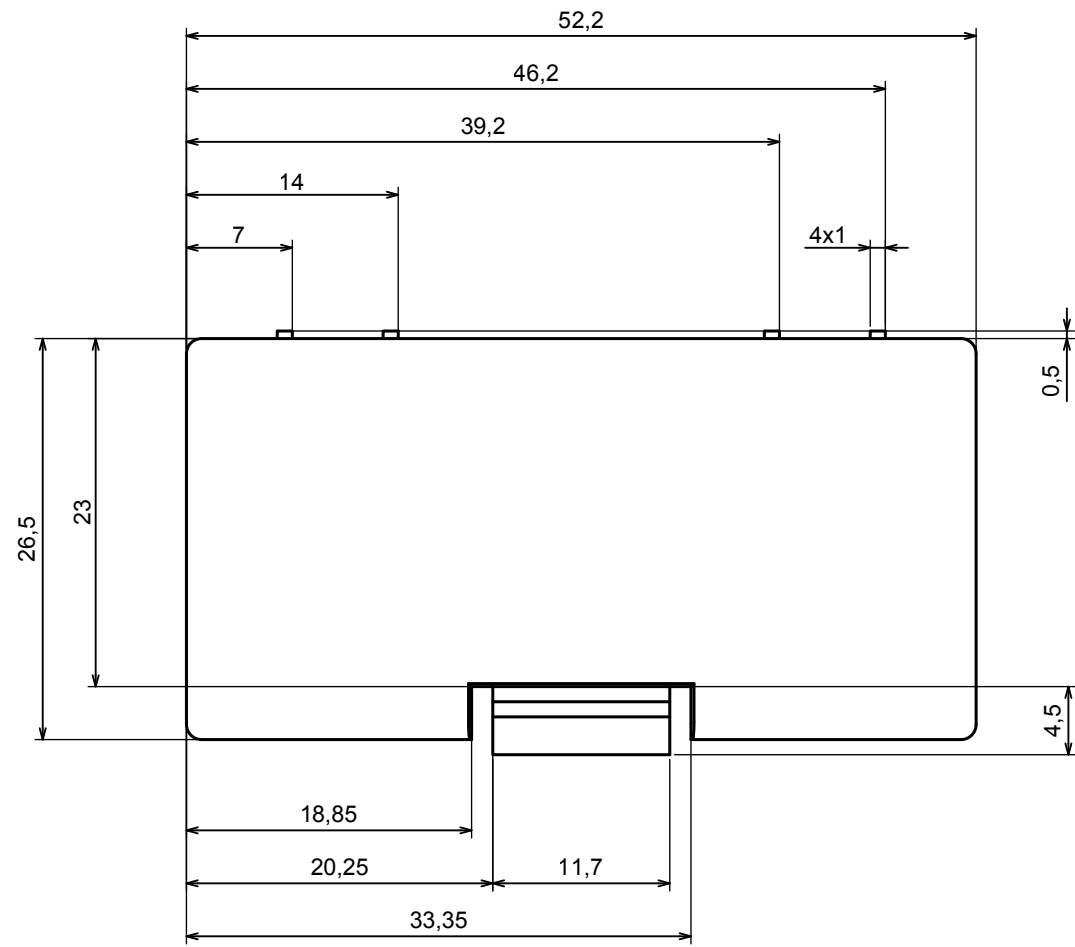
Scale 1:1 Tolerance: +/- 0.5





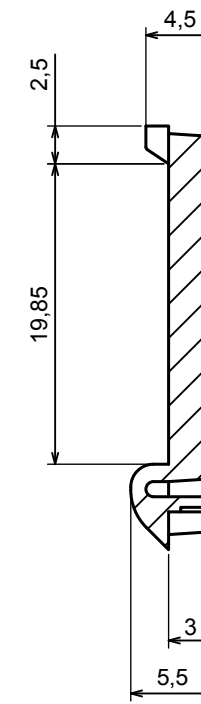
All rights reserved, Copyright Kradex 2017		
Product model	Enclosure Z62 - Board	
Format: A3	Material: PS, ABS	
Scale 2:1	Tolerance: +/- 0.5	

D |



D |

D-D



All rights reserved, Copyright Kradox 2017

Product model Enclosure Z62 - Battery cover

Format: A3 Material: PS, ABS

Scale 1:1 Tolerance: +/- 0.5

