

**FEATURES**

- AD5313:** 2 buffered 10-bit DACs in 1 package  
A version:  $\pm 4$  LSB INL, B version:  $\pm 2$  LSB INL
- AD5323:** 2 buffered 12-bit DACs in 1 package  
A version:  $\pm 16$  LSB INL, B version:  $\pm 8$  LSB INL
- 16-lead TSSOP package
- Micropower operation: 300  $\mu$ A at 5 V (including reference current)
- Power-down to 200 nA at 5 V, 50 nA at 3 V
- 2.5 V to 5.5 V power supply
- Double-buffered input logic
- Guaranteed monotonic by design over all codes
- Buffered/unbuffered reference input options
- Output range: 0 V to  $V_{REF}$  or 0 V to  $2 V_{REF}$
- Power-on reset to 0 V
- SDO daisy-chaining option
- Simultaneous update of DAC outputs via  $\overline{LDAC}$  pin
- Asynchronous CLR facility
- Low power serial interface with Schmitt-triggered inputs
- On-chip rail-to-rail output buffer amplifiers
- Qualified for automotive applications

**APPLICATIONS**

- Portable battery-powered instruments
- Digital gain and offset adjustment
- Programmable voltage and current sources
- Programmable attenuators

**GENERAL DESCRIPTION**

The **AD5313/AD5323** are dual, 10-/12-bit buffered voltage output DACs in a 16-lead TSSOP package that operate from a single 2.5 V to 5.5 V supply, consuming 230  $\mu$ A at 3 V. Their on-chip output amplifiers allow the outputs to swing rail to rail with a slew rate of 0.7 V/ $\mu$ s. The **AD5313/AD5323** utilize a versatile 3-wire serial interface that operates at clock rates up to 30 MHz and is compatible with standard SPI, QSPI™, MICROWIRE™, and DSP interface standards.

The references for the two DACs are derived from two reference pins (one per DAC). These reference inputs can be configured as buffered or unbuffered inputs. The devices incorporate a power-on reset circuit, which ensures that the DAC outputs power up to 0 V and remain there until a valid write to the device takes place. There is also an asynchronous active low  $\overline{CLR}$  pin that clears both DACs to 0 V. The outputs of both DACs can be updated simultaneously using the asynchronous  $\overline{LDAC}$  input. The devices contain a power-down feature that reduces the current consumption of the devices to 200 nA at 5 V (50 nA at 3 V) and provides software-selectable output loads while in power-down mode. The devices can also be used in daisy-chaining applications using the SDO pin.

The low power consumption of these devices in normal operation makes them ideally suited to portable battery operated equipment. The power consumption is 1.5 mW at 5 V and 0.7 mW at 3 V, reducing to 1  $\mu$ W in power-down mode.

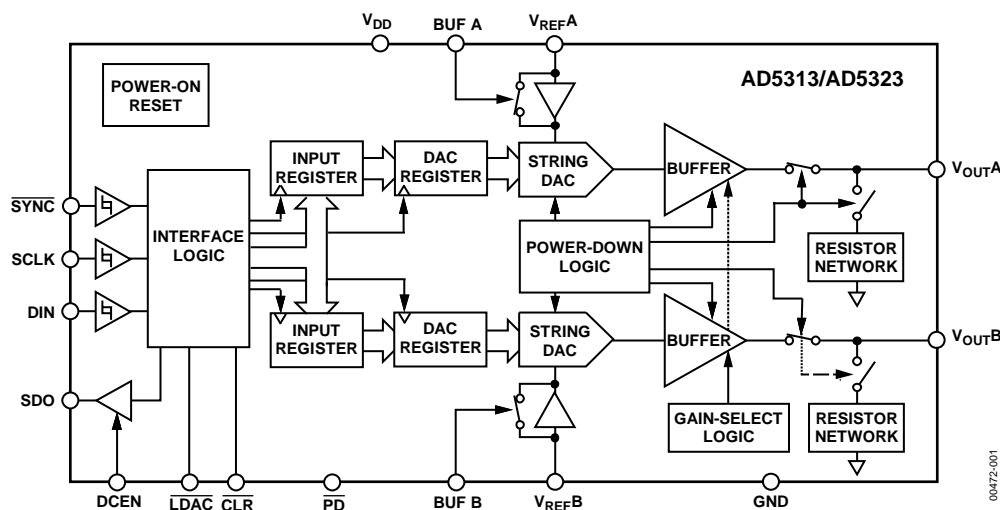
**FUNCTIONAL BLOCK DIAGRAM**


Figure 1.

Rev. C

[Document Feedback](#)

Information furnished by Analog Devices is believed to be accurate and reliable. However, no responsibility is assumed by Analog Devices for its use, nor for any infringements of patents or other rights of third parties that may result from its use. Specifications subject to change without notice. No license is granted by implication or otherwise under any patent or patent rights of Analog Devices. Trademarks and registered trademarks are the property of their respective owners.

One Technology Way, P.O. Box 9106, Norwood, MA 02062-9106, U.S.A.  
 Tel: 781.329.4700 ©1999–2015 Analog Devices, Inc. All rights reserved.  
[Technical Support](#) [www.analog.com](http://www.analog.com)

## TABLE OF CONTENTS

Features .....	1	Low Power Serial Interface .....	16
Applications .....	1	Double-Buffered Interface .....	16
General Description .....	1	Power-Down Modes.....	18
Functional Block Diagram .....	1	Microprocessor Interfacing .....	19
Revision History .....	2	AD5313/AD5323 to ADSP-2161 Interface .....	19
Specifications.....	3	AD5313/AD5323 to 68HC11/68L11 Interface.....	19
AC Characteristics.....	6	AD5313/AD5323 to 80C51/80L51 Interface.....	19
Timing Characteristics .....	6	AD5313/AD5323 to MICROWIRE Interface .....	19
Absolute Maximum Ratings.....	8	Applications Information .....	20
ESD Caution.....	8	Typical Application Circuit.....	20
Pin Configuration and Function Descriptions.....	9	Bipolar Operation Using the AD5313/AD5323.....	20
Terminology .....	10	Opto-Isolated Interface for Process Control Applications ...	21
Typical Performance Characteristics .....	11	Decoding Multiple AD5313/AD5323s.....	21
Theory of Operation .....	14	AD5313/AD5323 as a Digitally Programmable Window Detector .....	21
Digital to Analog .....	14	Coarse and Fine Adjustment Using the AD5313/AD5323... 22	
Resistor String.....	14	Daisy-Chain Mode .....	22
DAC Reference Inputs .....	14	Power Supply Bypassing and Grounding.....	23
Output Amplifier.....	14	Outline Dimensions .....	24
Power-On Reset .....	15	Ordering Guide .....	24
Clear Function ( $\overline{\text{CLR}}$ ) .....	15	Automotive Products.....	24
Serial Interface .....	16		
Input Shift Register.....	16		

## REVISION HISTORY

### 5/15—Rev. B to Rev. C

Deleted AD5303.....	Throughout
Changes to Features Section.....	1
Deleted Figure 7 and Figure 10; Renumbered Sequentially ....	11
Deleted Figure 13 and Figure 14.....	12
Changes to Output Amplifier Section .....	14
Deleted Figure 31.....	18
Changed ADSP-2101 to ADSP-2161 .....	19
Changes to Ordering Guide .....	24
Added Automotive Products Section.....	24

### 6/07—Rev. A to Rev. B

Updated Format.....	Universal
Changes to Table 4.....	8
Changes to the Ordering Guide.....	25

### 8/03—Rev. 0 to Rev. A

Added A Version .....	Universal
Changes to Features .....	1
Changes to Specifications.....	2
Changes to Absolute Maximum Ratings.....	5
Changes to Ordering Guide .....	5
Updated Outline Dimensions.....	18

### 4/99—Revision 0: Initial Version

## SPECIFICATIONS

$V_{DD} = 2.5 \text{ V to } 5.5 \text{ V}$ ;  $V_{REF} = 2 \text{ V}$ ;  $R_L = 2 \text{ k}\Omega \text{ to GND}$ ;  $C_L = 200 \text{ pF to GND}$ ; all specifications  $T_{MIN}$  to  $T_{MAX}$ , unless otherwise noted.

Table 1.

Parameter <sup>2</sup>	A Version <sup>1</sup>			B Version <sup>1</sup>			Unit	Test Conditions/Comments
	Min	Typ	Max	Min	Typ	Max		
DC PERFORMANCE <sup>3,4</sup>								
AD5313								
Resolution		10		10			Bits	Guaranteed monotonic by design over all codes
Relative Accuracy		$\pm 0.5$	$\pm 4$	$\pm 0.5$	$\pm 2$		LSB	
Differential Nonlinearity		$\pm 0.05$	$\pm 0.5$	$\pm 0.05$	$\pm 0.5$		LSB	
AD5323								
Resolution		12		12			Bits	Guaranteed monotonic by design over all codes
Relative Accuracy		$\pm 2$	$\pm 16$	$\pm 2$	$\pm 8$		LSB	
Differential Nonlinearity		$\pm 0.2$	$\pm 1$	$\pm 0.2$	$\pm 1$		LSB	
Offset Error		$\pm 0.4$	$\pm 3$	$\pm 0.4$	$\pm 3$		% of FSR	See Figure 2 and Figure 3
Gain Error		$\pm 0.15$	$\pm 1$	$\pm 0.15$	$\pm 1$		% of FSR	See Figure 2 and Figure 3
Lower Dead Band		10	60	10	60		mV	See Figure 2 and Figure 3
Offset Error Drift <sup>5</sup>		-12		-12			ppm of FSR/ $^{\circ}\text{C}$	
Gain Error Drift <sup>5</sup>		-5		-5			ppm of FSR/ $^{\circ}\text{C}$	
Power Supply Rejection Ratio <sup>5</sup>		-60		-60			dB	$\Delta V_{DD} = \pm 10\%$
DC Crosstalk <sup>5</sup>		30		30			$\mu\text{V}$	
DAC REFERENCE INPUTS <sup>5</sup>								
$V_{REF}$ Input Range	1		$V_{DD}$	1		$V_{DD}$	V	Buffered reference mode
	0		$V_{DD}$	0		$V_{DD}$	V	Unbuffered reference mode
$V_{REF}$ Input Impedance		>10		>10			M $\Omega$	Buffered reference mode
		180		180			k $\Omega$	Unbuffered reference mode
		90		90			k $\Omega$	Unbuffered reference mode 0 V to $2 V_{REF}$ output range, input impedance = $R_{DAC}$
Reference Feedthrough		-90		-90			dB	Frequency = 10 kHz
Channel to Channel Isolation		-80		-80			dB	Frequency = 10 kHz
OUTPUT CHARACTERISTICS <sup>5</sup>								
Minimum Output Voltage <sup>6</sup>		0.001		0.001			V min	This is a measure of the minimum and maximum drive capability of the output amplifier
Maximum Output Voltage <sup>6</sup>		$V_{DD} - 0.001$		$V_{DD} - 0.001$			V max	
DC Output Impedance		0.5		0.5			$\Omega$	
Short-Circuit Current		50		50			mA	$V_{DD} = 5 \text{ V}$
		20		20			mA	$V_{DD} = 3 \text{ V}$
Power-Up Time		2.5		2.5			$\mu\text{s}$	Coming out of power-down mode; $V_{DD} = 5 \text{ V}$
		5		5			$\mu\text{s}$	Coming out of power-down mode; $V_{DD} = 3 \text{ V}$

Parameter <sup>2</sup>	A Version <sup>1</sup>			B Version <sup>1</sup>			Unit	Test Conditions/Comments
	Min	Typ	Max	Min	Typ	Max		
LOGIC INPUTS <sup>5</sup>								
Input Current			±1			±1	μA	
Input Low Voltage, V <sub>IL</sub>			0.8			0.8	V	V <sub>DD</sub> = 5 V ± 10%
			0.6			0.6	V	V <sub>DD</sub> = 3 V ± 10%
			0.5			0.5	V	V <sub>DD</sub> = 2.5 V
Input High Voltage, V <sub>IH</sub>	2.4			2.4			V	V <sub>DD</sub> = 5 V ± 10%
	2.1			2.1			V	V <sub>DD</sub> = 3 V ± 10%
	2.0			2.0			V	V <sub>DD</sub> = 2.5 V
Pin Capacitance		2	3.5		2	3.5	pF	
LOGIC OUTPUT (SDO) <sup>5</sup>								
V <sub>DD</sub> = 5 V ± 10%								
Output Low Voltage			0.4			0.4	V	I <sub>SINK</sub> = 2 mA
Output High Voltage	4.0			4.0			V	I <sub>SOURCE</sub> = 2 mA
V <sub>DD</sub> = 3 V ± 10%								
Output Low Voltage			0.4			0.4	V	I <sub>SINK</sub> = 2 mA
Output High Voltage	2.4			2.4			V	I <sub>SOURCE</sub> = 2 mA
Floating State Leakage Current			1			1	μA	DCEN = GND
Floating State Output Capacitance		3			3		pF	DCEN = GND
POWER REQUIREMENTS								
V <sub>DD</sub>	2.5		5.5	2.5		5.5	V	I <sub>DD</sub> specification is valid for all DAC codes
I <sub>DD</sub> (Normal Mode)								
Both DACs active and excluding load currents								
Both DACs in unbuffered mode;								
V <sub>IH</sub> = V <sub>DD</sub> and V <sub>IL</sub> = GND; in buffered mode, extra current is typically x μA per DAC, where x = 5 μA + V <sub>REF</sub> /R <sub>DAC</sub>								
V <sub>DD</sub> = 4.5 V to 5.5 V		300	450		300	450	μA	
V <sub>DD</sub> = 2.5 V to 3.6 V		230	350		230	350	μA	
I <sub>DD</sub> (Full Power-Down)								
V <sub>DD</sub> = 4.5 V to 5.5 V		0.2	1		0.2	1	μA	
V <sub>DD</sub> = 2.5 V to 3.6 V		0.05	1		0.05	1	μA	

<sup>1</sup> Temperature range for Version A, Version B: -40°C to +105°C.

<sup>2</sup> See the Terminology section.

<sup>3</sup> DC specifications tested with the outputs unloaded.

<sup>4</sup> Linearity is tested using a reduced code range: AD5313 (Code 28 to Code 995); AD5323 (Code 115 to Code 3981).

<sup>5</sup> Guaranteed by design and characterization; not production tested.

<sup>6</sup> For the amplifier output to reach its minimum voltage, offset error must be negative. For the amplifier output to reach its maximum voltage, V<sub>REF</sub> = V<sub>DD</sub> and offset plus gain error must be positive.

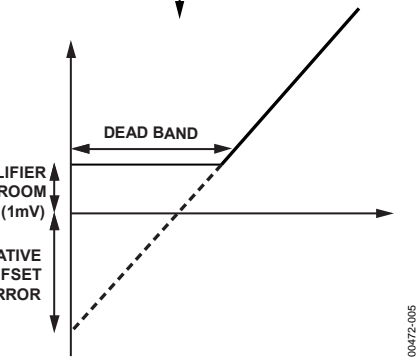
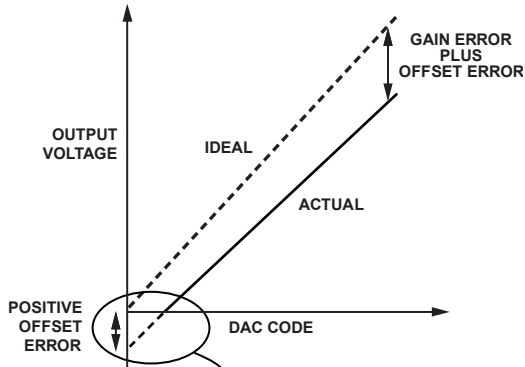


Figure 2. Transfer Function with Negative Offset

00472-005

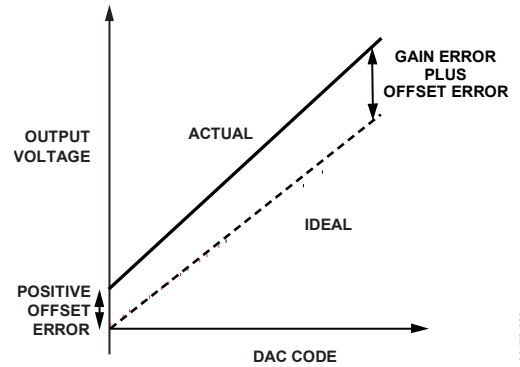


Figure 3. Transfer Function with Positive Offset

00472-006

**AC CHARACTERISTICS**

$V_{DD} = 2.5\text{ V to }5.5\text{ V}$ ;  $R_L = 2\text{ k}\Omega\text{ to GND}$ ;  $C_L = 200\text{ pF to GND}$ ; all specifications  $T_{MIN}$  to  $T_{MAX}$ , unless otherwise noted.

Table 2.

Parameter <sup>1,2</sup>	A, B Version <sup>3</sup>			Unit	Test Conditions/Comments
	Min	Typ	Max		
Output Voltage Settling Time					$V_{REF} = V_{DD} = 5\text{ V}$
AD5313		7	9	$\mu\text{s}$	1/4 scale to 3/4 scale change (0x100 to 0x300)
AD5323		8	10	$\mu\text{s}$	1/4 scale to 3/4 scale change (0x400 to 0xc00)
Slew Rate		0.7		V/ $\mu\text{s}$	
Major-Code Transition Glitch Energy		12		nV-sec	1 LSB change around major carry (011 . . . 11 to 100 . . . 00)
Digital Feedthrough		0.10		nV-sec	
Analog Crosstalk		0.01		nV-sec	
DAC to DAC Crosstalk		0.01		nV-sec	
Multiplying Bandwidth		200		kHz	$V_{REF} = 2\text{ V} \pm 0.1\text{ V p-p}$ , unbuffered mode
Total Harmonic Distortion		-70		dB	$V_{REF} = 2.5\text{ V} \pm 0.1\text{ V p-p}$ , frequency = 10 kHz

<sup>1</sup> Guaranteed by design and characterization; not production tested.

<sup>2</sup> See the Terminology section.

<sup>3</sup> Temperature range for Version A and Version B:  $-40^\circ\text{C to }+105^\circ\text{C}$ .

**TIMING CHARACTERISTICS**

$V_{DD} = 2.5\text{ V to }5.5\text{ V}$ ; all specifications  $T_{MIN}$  to  $T_{MAX}$ , unless otherwise noted.

Table 3.

Parameter <sup>1,2,3</sup>	Limit at $T_{MIN}, T_{MAX}$ (A, B Version)	Unit	Test Conditions/Comments
$t_1$	33	ns min	SCLK cycle time
$t_2$	13	ns min	SCLK high time
$t_3$	13	ns min	SCLK low time
$t_4$	0	ns min	$\overline{\text{SYNC}}$ to SCLK rising edge setup time
$t_5$	5	ns min	Data setup time
$t_6$	4.5	ns min	Data hold time
$t_7$	0	ns min	SCLK falling edge to $\overline{\text{SYNC}}$ rising edge
$t_8$	100	ns min	Minimum $\overline{\text{SYNC}}$ high time
$t_9$	20	ns min	$\overline{\text{LDAC}}$ pulse width
$t_{10}$	20	ns min	SCLK falling edge to $\overline{\text{LDAC}}$ rising edge
$t_{11}$	20	ns min	$\overline{\text{CLR}}$ pulse width
$t_{12}^{4,5}$	5	ns min	SCLK falling edge to SDO invalid
$t_{13}^{4,5}$	20	ns max	SCLK falling edge to SDO valid
$t_{14}^5$	0	ns min	SCLK falling edge to $\overline{\text{SYNC}}$ rising edge
$t_{15}^5$	10	ns min	$\overline{\text{SYNC}}$ rising edge to SCLK rising edge

<sup>1</sup> Guaranteed by design and characterization, not production tested.

<sup>2</sup> All input signals are specified with  $t_r = t_f = 5\text{ ns}$  (10% to 90% of  $V_{DD}$ ) and timed from a voltage level of  $(V_{IL} + V_{IH})/2$ .

<sup>3</sup> See Figure 4 and Figure 5.

<sup>4</sup> These are measured with the load circuit of Figure 4.

<sup>5</sup> Daisy-chain mode only (see Figure 42).

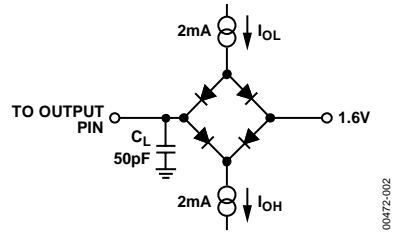


Figure 4. Load Circuit for Digital Output (SDO) Timing Specifications

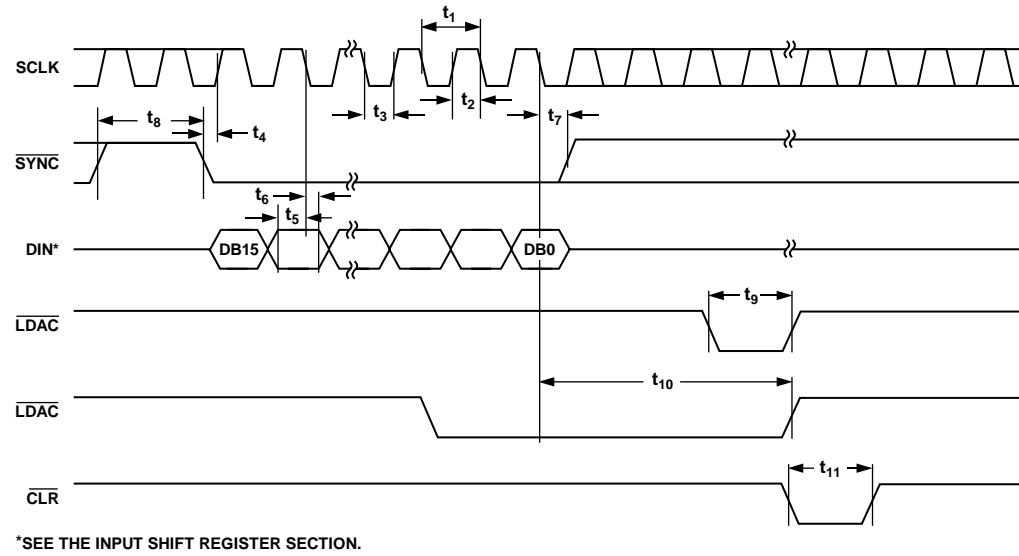


Figure 5. Serial Interface Timing Diagram

## ABSOLUTE MAXIMUM RATINGS

$T_A = 25^\circ\text{C}$ , unless otherwise noted.<sup>1</sup>

Table 4.

Parameter	Rating
$V_{DD}$ to GND	-0.3 V to +7 V
Digital Input Voltage to GND	-0.3 V to $V_{DD} + 0.3$ V
Digital Output Voltage to GND	-0.3 V to $V_{DD} + 0.3$ V
Reference Input Voltage to GND	-0.3 V to $V_{DD} + 0.3$ V
$V_{OUTA}$ , $V_{OUTB}$ to GND	-0.3 V to $V_{DD} + 0.3$ V
Operating Temperature Range	
Industrial (A, B Version)	-40°C to +105°C
Storage Temperature Range	-65°C to +150°C
Junction Temperature ( $T_J$ Max)	150°C
16-Lead TSSOP Package	
Power Dissipation	$(T_J \text{ max} - T_A)/\theta_{JA}$
$\theta_{JA}$ Thermal Impedance	160°C/W
Lead Temperature	JEDEC Industry Standard
Soldering	J-STD-020

<sup>1</sup> Transient currents of up to 100 mA do not cause SCR latch-up.

Stresses at or above those listed under Absolute Maximum Ratings may cause permanent damage to the product. This is a stress rating only; functional operation of the product at these or any other conditions above those indicated in the operational section of this specification is not implied. Operation beyond the maximum operating conditions for extended periods may affect product reliability.

### ESD CAUTION



#### ESD (electrostatic discharge) sensitive device.

Charged devices and circuit boards can discharge without detection. Although this product features patented or proprietary protection circuitry, damage may occur on devices subjected to high energy ESD. Therefore, proper ESD precautions should be taken to avoid performance degradation or loss of functionality.



## PIN CONFIGURATION AND FUNCTION DESCRIPTIONS

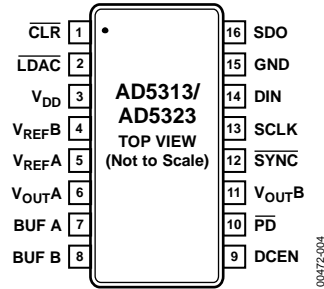


Figure 6. Pin Configuration

Table 5. Pin Function Descriptions

Pin No.	Mnemonic	Description
1	$\overline{\text{CLR}}$	Active Low Control Input. Loads all zeros to both input and DAC registers.
2	$\overline{\text{LDAC}}$	Active Low Control Input. Transfers the contents of the input registers to their respective DAC registers. Pulsing this pin low allows either or both DAC registers to be updated if the input registers have new data. This allows the simultaneous update of both DAC outputs.
3	$V_{\text{DD}}$	Power Supply Input. Operate the devices from 2.5 V to 5.5 V, and decouple the supply to GND.
4	$V_{\text{REFB}}$	Reference Input Pin for DAC B. It can be configured as a buffered or an unbuffered input, depending on the state of the BUF B pin. It has an input range from 0 V to $V_{\text{DD}}$ in unbuffered mode and from 1 V to $V_{\text{DD}}$ in buffered mode.
5	$V_{\text{REFA}}$	Reference Input Pin for DAC A. It can be configured as a buffered or an unbuffered input depending on the state of the BUF A pin. It has an input range from 0 V to $V_{\text{DD}}$ in unbuffered mode and from 1 V to $V_{\text{DD}}$ in buffered mode.
6	$V_{\text{OUTA}}$	Buffered Analog Output Voltage from DAC A. The output amplifier has rail-to-rail operation.
7	BUF A	Control Pin. Controls whether the reference input for DAC A is unbuffered or buffered. If this pin is tied low, the reference input is unbuffered. If it is tied high, the reference input is buffered.
8	BUF B	Control Pin. Controls whether the reference input for DAC B is unbuffered or buffered. If this pin is tied low, the reference input is unbuffered. If it is tied high, the reference input is buffered.
9	DCEN	This pin is used to enable the daisy-chaining option. Tie the pin high if the device is being used in a daisy chain. Tie the pin low if it is being used in standalone mode.
10	$\overline{\text{PD}}$	Active Low Control Input. Acts as a hardware power-down option. This pin overrides any software power-down option. Both DACs go into power-down mode when this pin is tied low. The DAC outputs go into a high impedance state and the current consumption of the device drops to 200 nA at 5 V (50 nA at 3 V).
11	$V_{\text{OUTB}}$	Buffered Analog Output Voltage from DAC B. The output amplifier has rail-to-rail operation.
12	$\overline{\text{SYNC}}$	Active Low Control Input. This is the frame synchronization signal for the input data. When $\overline{\text{SYNC}}$ goes low, it powers on the SCLK and DIN buffers and enables the input shift register. Data is transferred in on the falling edges of the following 16 clocks. If $\overline{\text{SYNC}}$ is taken high before the 16th falling edge, the rising edge of $\overline{\text{SYNC}}$ acts as an interrupt and the write sequence is ignored by the device.
13	SCLK	Serial Clock Input. Data is clocked into the input shift register on the falling edge of the serial clock input. Data can be transferred at rates up to 30 MHz. The SCLK input buffer is powered down after each write cycle.
14	DIN	Serial Data Input. This device has a 16-bit shift register. Data is clocked into the register on the falling edge of the serial clock input. The DIN input buffer is powered down after each write cycle.
15	GND	Ground Reference Point for All Circuitry on the Device.
16	SDO	Serial Data Output. Can be used to daisy-chain a number of these devices together or to read back the data in the shift register for diagnostic purposes. The serial data output is valid on the falling edge of the clock.

## TERMINOLOGY

### Relative Accuracy or Integral Nonlinearity (INL)

For the DAC, relative accuracy or integral nonlinearity is a measure of the maximum deviation, in LSB, from a straight line passing through the actual endpoints of the DAC transfer function. Figure 7 and Figure 8 show typical INL error vs. code plots.

### Differential Nonlinearity (DNL)

Differential nonlinearity is the difference between the measured change and the ideal 1 LSB change between any two adjacent codes. A specified DNL of  $\pm 1$  LSB maximum ensures monotonicity. This DAC is guaranteed monotonic by design. A typical DNL error vs. code plot can be seen in Figure 9 and Figure 10.

### Offset Error

This is a measure of the offset error of the DAC and the output amplifier. It is expressed as a percentage of the full-scale range.

### Gain Error

This is a measure of the span error of the DAC. It is the deviation in slope of the actual DAC transfer characteristic from the ideal expressed as a percentage of the full-scale range.

### Offset Error Drift

This is a measure of the change in offset error with changes in temperature. It is expressed in ppm of full-scale range/ $^{\circ}\text{C}$ .

### Gain Error Drift

This is a measure of the change in gain error with changes in temperature. It is expressed in ppm of full-scale range/ $^{\circ}\text{C}$ .

### Major-Code Transition Glitch Energy

Major-code transition glitch energy is the energy of the impulse injected into the analog output when the code in the DAC register changes state. It is normally specified as the area of the glitch in nV-sec and is measured when the digital code is changed by 1 LSB at the major carry transition (011 . . . 11 to 100 . . . 00 or 100 . . . 00 to 011 . . . 11).

### Digital Feedthrough

Digital feedthrough is a measure of the impulse injected into the analog output of the DAC from the digital input pins of the device, but is measured when the DAC is not being written to (SYNC held high). It is specified in nV-sec and is measured with a full-scale change on the digital input pins, that is, from all 0s to all 1s and vice versa.

### Analog Crosstalk

This is the glitch impulse transferred to the output of one DAC due to a change in the output of the other DAC. It is measured by loading one of the input registers with a full-scale code change (all 0s to all 1s and vice versa) while keeping  $\overline{\text{LDAC}}$  high. Then pulse  $\overline{\text{LDAC}}$  low and monitor the output of the DAC whose digital code was not changed. The area of the glitch is expressed in nV-sec.

### DAC to DAC Crosstalk

This is the glitch impulse transferred to the output of one DAC due to a digital code change and subsequent output change of the other DAC. This includes both digital and analog crosstalk. It is measured by loading one of the DACs with a full-scale code change (all 0s to all 1s and vice versa) while keeping  $\overline{\text{LDAC}}$  low and monitoring the output of the other DAC. The area of the glitch is expressed in nV-sec.

### DC Crosstalk

This is the dc change in the output level of one DAC in response to a change in the output of the other DAC. It is measured with a full-scale output change on one DAC while monitoring the other DAC. It is expressed in microvolts.

### Power Supply Rejection Ratio (PSRR)

This indicates how the output of the DAC is affected by changes in the supply voltage. PSRR is the ratio of the change in  $V_{\text{OUT}}$  to a change in  $V_{\text{DD}}$  for full-scale output of the DAC. It is measured in decibels.  $V_{\text{REF}}$  is held at 2 V and  $V_{\text{DD}}$  is varied  $\pm 10\%$ .

### Reference Feedthrough

This is the ratio of the amplitude of the signal at the DAC output to the reference input when the DAC output is not being updated (that is,  $\overline{\text{LDAC}}$  is high). It is expressed in decibels.

### Total Harmonic Distortion (THD)

This is the difference between an ideal sine wave and its attenuated version using the DAC. The sine wave is used as the reference for the DAC and the THD is a measure of the harmonics present on the DAC output. It is measured in decibels.

### Multiplying Bandwidth

The amplifiers within the DAC have a finite bandwidth. The multiplying bandwidth is a measure of this. A sine wave on the reference (with full-scale code loaded to the DAC) appears on the output. The multiplying bandwidth is the frequency at which the output amplitude falls to 3 dB below the input.

### Channel to Channel Isolation

This is a ratio of the amplitude of the signal at the output of one DAC to a sine wave on the reference input of the other DAC. It is measured in decibels.

### TYPICAL PERFORMANCE CHARACTERISTICS

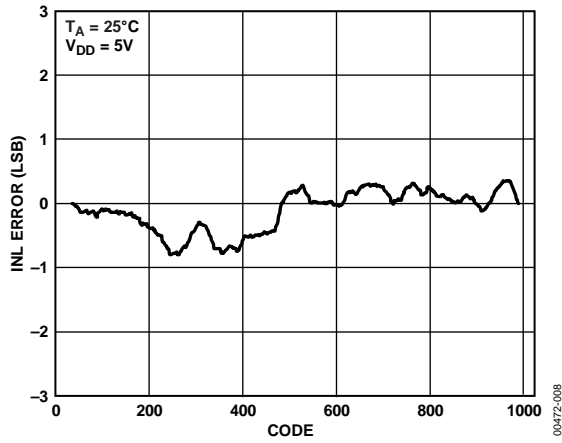


Figure 7. AD5313 Typical INL Plot

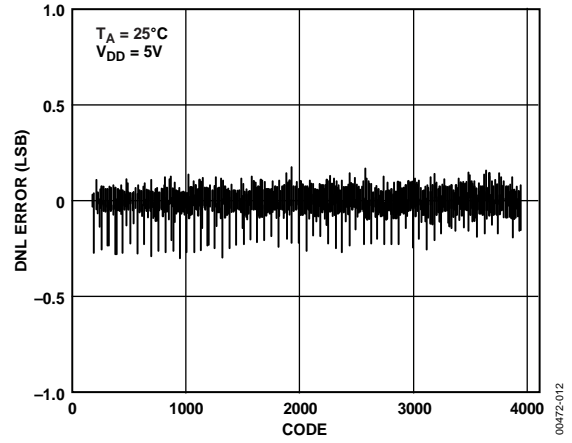


Figure 10. AD5323 Typical DNL Plot

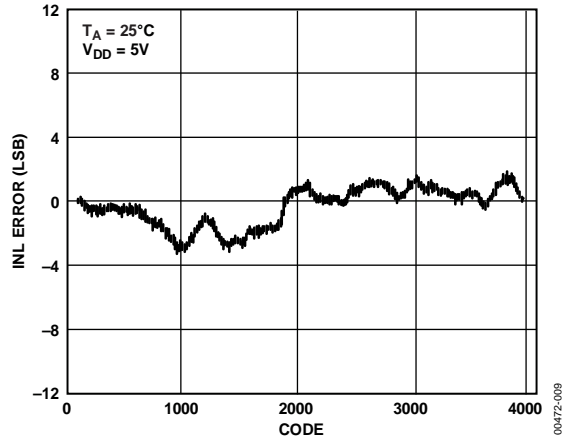


Figure 8. AD5323 Typical INL Plot

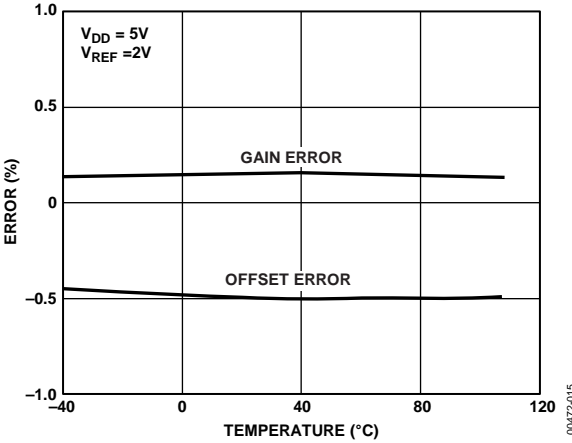


Figure 11. Offset Error and Gain Error vs. Temperature

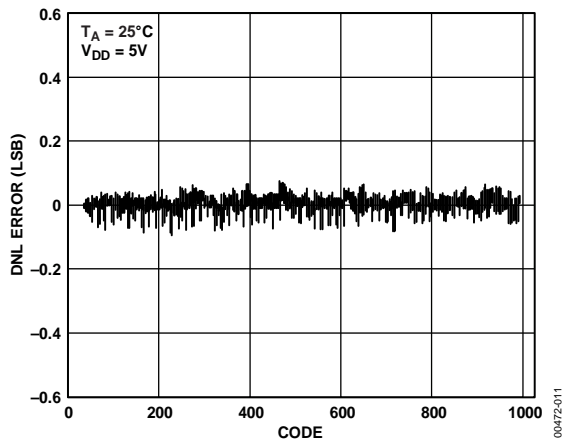


Figure 9. AD5313 Typical DNL Plot

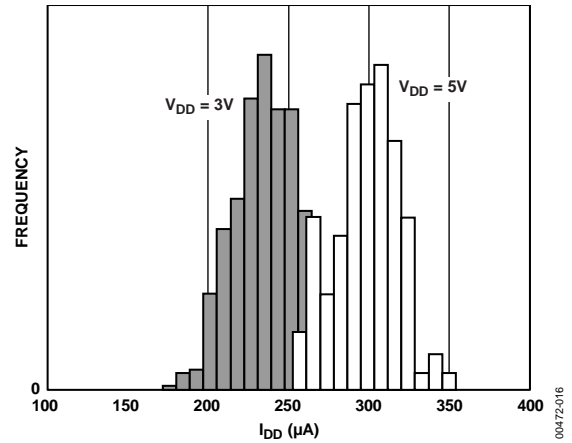


Figure 12.  $I_{DD}$  Histogram with  $V_{DD} = 3V$  and  $V_{DD} = 5V$

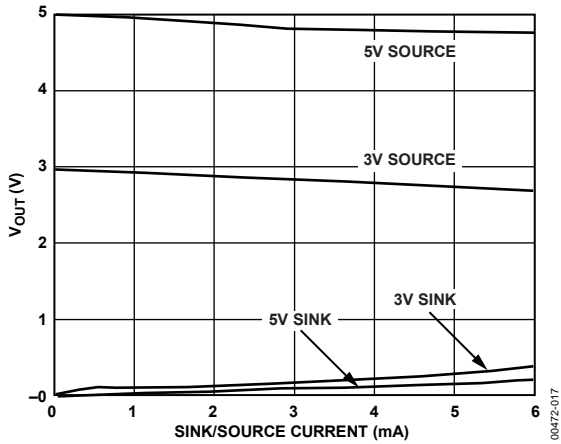


Figure 13. Source and Sink Current Capability

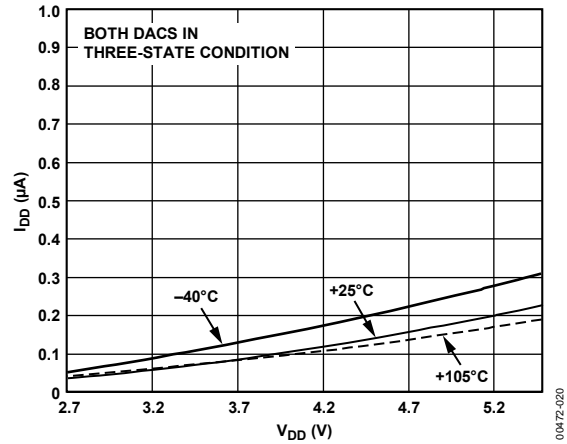


Figure 16. Power-Down Current vs. Supply Voltage

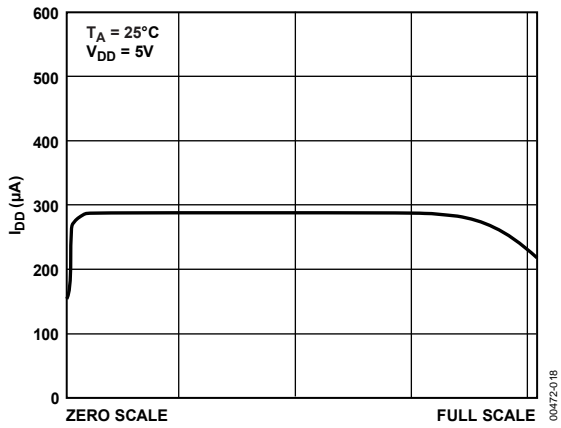


Figure 14. Supply Current vs. Code

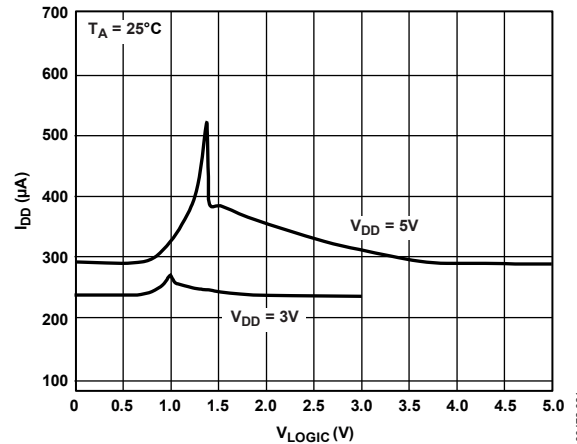


Figure 17. Supply Current vs. Logic Input Voltage

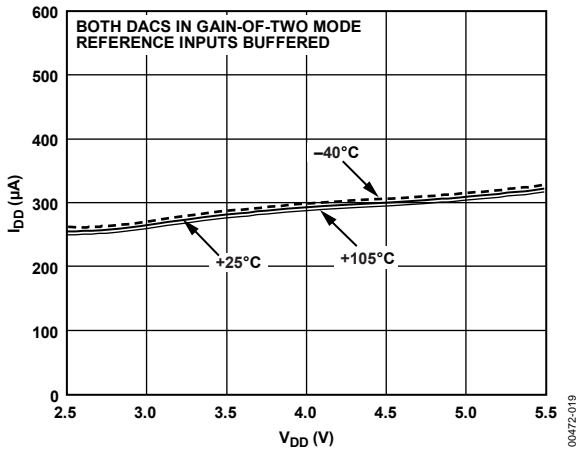


Figure 15. Supply Current vs. Supply Voltage

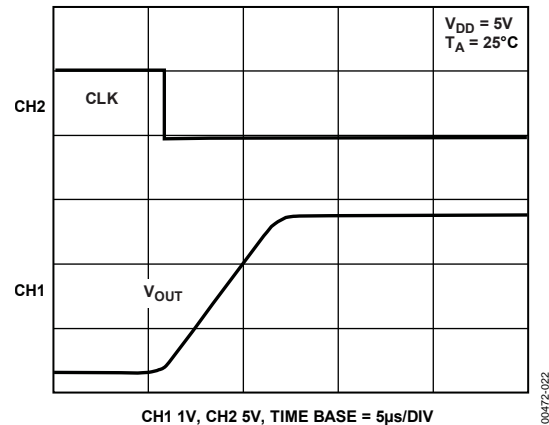


Figure 18. Half-Scale Settling (1/4 to 3/4 Scale Code Change)

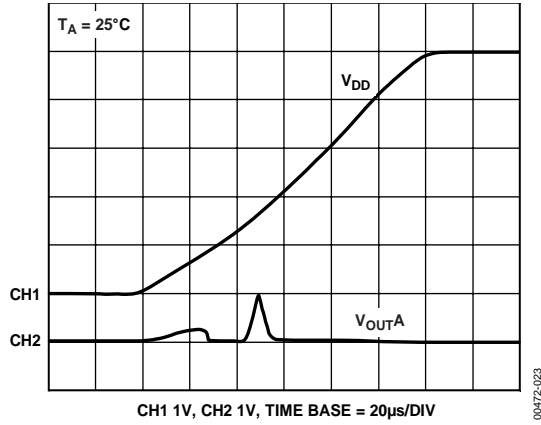


Figure 19. Power-On Reset to 0V

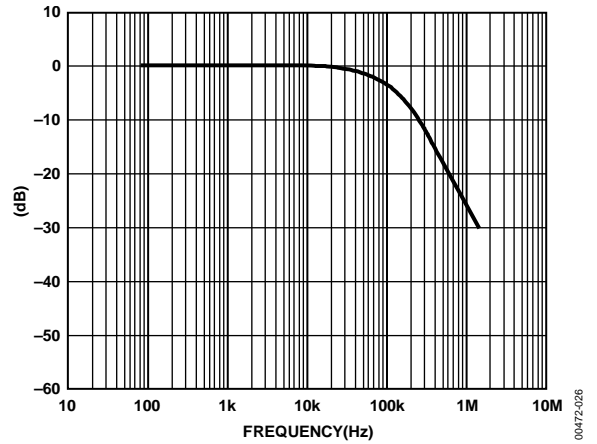


Figure 22. Multiplying Bandwidth (Small Signal Frequency Response)

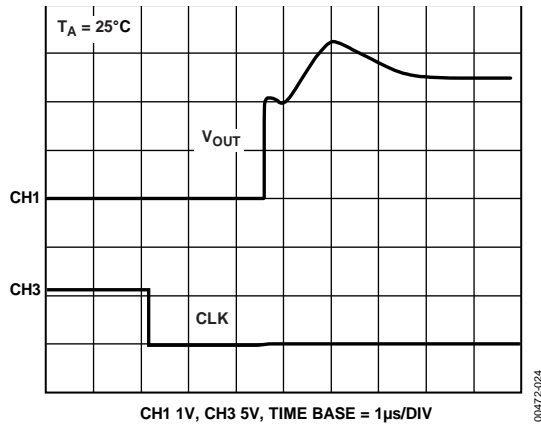


Figure 20. Exiting Power-Down to Midscale

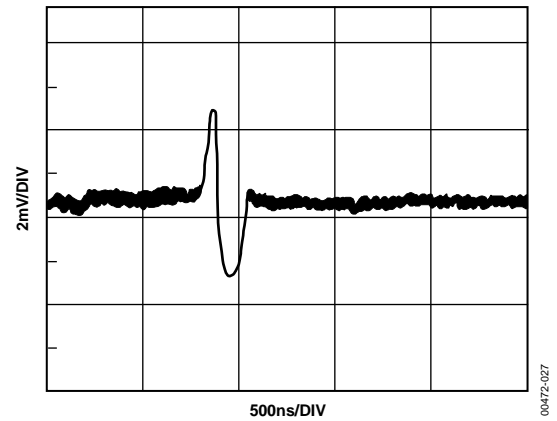


Figure 23. DAC to DAC Crosstalk

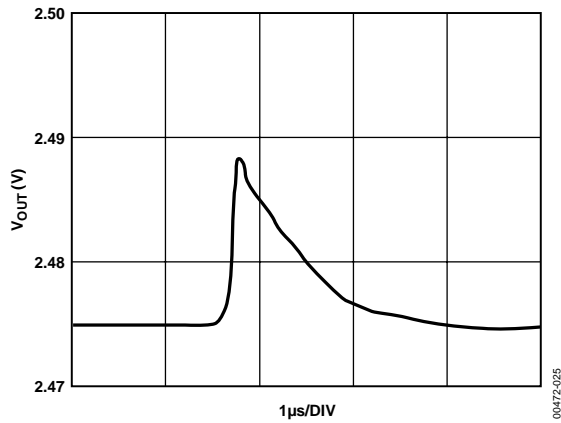


Figure 21. AD5323 Major Code Transition

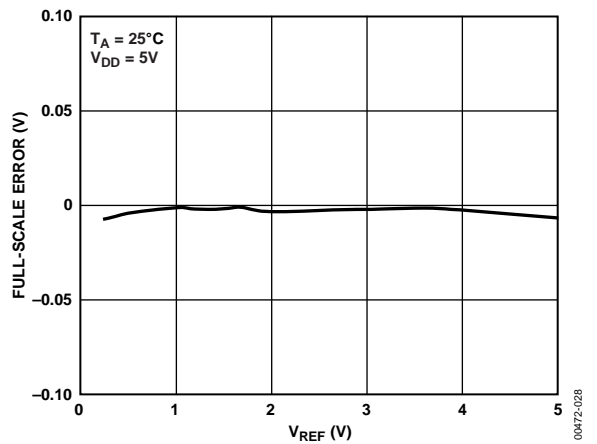


Figure 24. Full-Scale Error vs.  $V_{REF}$  (Buffered)

## THEORY OF OPERATION

The [AD5313/AD5323](#) are dual resistor string DACs fabricated on a CMOS process with resolutions of 10 bits and 12 bits, respectively. They contain reference buffers and output buffer amplifiers, and are written to via a 3-wire serial interface. They operate from single supplies of 2.5 V to 5.5 V and the output buffer amplifiers provide rail-to-rail output swing with a slew rate of 0.7 V/μs. Each DAC is provided with a separate reference input, which can be buffered to draw virtually no current from the reference source, or unbuffered to give a reference input range from GND to V<sub>DD</sub>. The devices have three programmable power-down modes, in which one or both DACs can be turned off completely with a high impedance output, or the output can be pulled low by an on-chip resistor.

### DIGITAL TO ANALOG

The architecture of one DAC channel consists of a reference buffer and a resistor-string DAC followed by an output buffer amplifier. The voltage at the V<sub>REFX</sub> pin provides the reference voltage for the DAC. Figure 25 shows a block diagram of the DAC architecture. Because the input coding to the DAC is straight binary, the ideal output voltage is given by

$$V_{OUT} = \frac{V_{REF} \times D}{2^N}$$

where:

*D* is the decimal equivalent of the binary code, which is loaded to the DAC register: 0 to 1023 for [AD5313](#) (10 bits) and 0 to 4095 for [AD5323](#) (12 bits).

*N* is the DAC resolution.

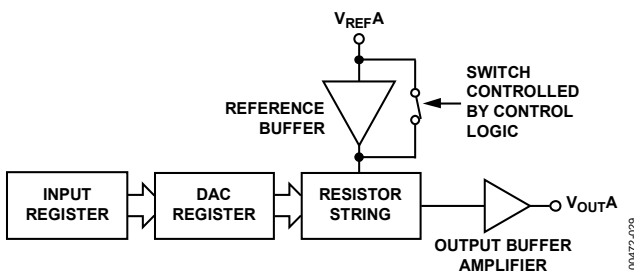


Figure 25. Single DAC Channel Architecture

### RESISTOR STRING

The resistor string section of the [AD5313/AD5323](#) is shown in Figure 26. It is simply a string of resistors, each of value *R*. The digital code loaded to the DAC register determines at what node on the string the voltage is tapped off to be fed into the output amplifier. The voltage is tapped off by closing one of the switches connecting the string to the amplifier. Because it is a string of resistors, it is guaranteed monotonic.

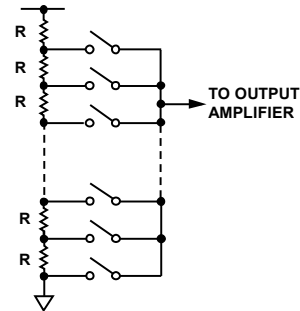


Figure 26. Resistor String

### DAC REFERENCE INPUTS

There is a reference input pin for each of the two DACs. The reference inputs are buffered, but can also be configured as unbuffered. The advantage with the buffered input is the high impedance it presents to the voltage source driving it. However, if the unbuffered mode is used, the user can have a reference voltage as low as GND and as high as V<sub>DD</sub> because there is no restriction due to headroom and footroom of the reference amplifier.

If there is a buffered reference in the circuit (for example, [REF192](#)), there is no need to use the on-chip buffers of the [AD5313/AD5323](#). In unbuffered mode, the input impedance is still large at typically 180 kΩ per reference input for 0 V to V<sub>REF</sub> mode and 90 kΩ for 0 V to 2 V<sub>REF</sub> mode.

The buffered/unbuffered option is controlled by the BUF A and BUF B pins. If a BUF pin is tied high, the reference input is buffered; if tied low, it is unbuffered.

### OUTPUT AMPLIFIER

The output buffer amplifier is capable of generating output voltages to within 1 mV of either rail, which gives an output range of 0.001 V to V<sub>DD</sub> - 0.001 V when the reference is V<sub>DD</sub>. It is capable of driving a load of 2 kΩ in parallel with 500 pF to GND and V<sub>DD</sub>. Figure 13 shows the source and sink capabilities of the output amplifier.

The slew rate is 0.7 V/μs with a half-scale settling time to ±0.5 LSB (at 10 bits) of 7 μs.

## POWER-ON RESET

The AD5313/AD5323 are provided with a power-on reset function, so that they power up in a defined state. The power-on state is with 0 V to  $V_{REF}$  output range and the output set to 0 V.

Both input and DAC registers are filled with zeros and remain so until a valid write sequence is made to the device. This is particularly useful in applications where it is important to know the state of the DAC outputs while the device is powering up.

## CLEAR FUNCTION ( $\overline{CLR}$ )

The  $\overline{CLR}$  pin is an active low input that, when pulled low, loads all zeros to both input registers and both DAC registers. This enables both analog outputs to be cleared to 0 V.

## SERIAL INTERFACE

The AD5313/AD5323 are controlled over a versatile, 3-wire serial interface that operates at clock rates up to 30 MHz and is compatible with SPI, QSPI, MICROWIRE, and DSP interface standards.

### INPUT SHIFT REGISTER

The input shift register is 16 bits wide. Data is loaded into the device as a 16-bit word under the control of a serial clock input, SCLK. The timing diagram for this operation is shown in Figure 5. The 16-bit word consists of four control bits followed by 10 bits to 12 bits of DAC data, depending on the device type. The first bit loaded is the MSB (Bit 15), which determines whether the data is for DAC A or DAC B. Bit 14 determines the output range (0 V to  $V_{REF}$  or 0 V to  $2 V_{REF}$ ). Bit 13 and Bit 12 control the operating mode of the DAC.

**Table 6. Control Bits**

Bit	Name	Function	Power-On Default
15	A/B	0: data written to DAC A 1: data written to DAC B	Not applicable
14	GAIN	0: output range of 0 V to $V_{REF}$ 1: output range of 0 V to $2 V_{REF}$	0
13	PD1	Mode bit	0
12	PD0	Mode bit	0

The remaining bits are DAC data bits, starting with the MSB and ending with the LSB. The AD5323 uses all 12 bits of DAC data; the AD5313 uses 10 bits and ignores the 2 LSBs. The data format is straight binary, with all 0s corresponding to 0 V output, and all 1s corresponding to full-scale output ( $V_{REF} - 1 \text{ LSB}$ ).

The SYNC input is a level triggered input that acts as a frame synchronization signal and chip enable. Data can be transferred into the device only while SYNC is low. To start the serial data transfer, take SYNC low, observing the minimum SYNC to SCLK rising edge setup time,  $t_4$ . After SYNC goes low, serial data is shifted into the input shift register of the device on the falling edges of SCLK for 16 clock pulses. Any data and clock pulses after the 16th are ignored, and no further serial data transfer occurs until SYNC is taken high and low again.

SYNC can be taken high after the falling edge of the 16th SCLK pulse, observing the minimum SCLK falling edge to SYNC rising edge time,  $t_7$ .

After the end of serial data transfer, data is automatically transferred from the input shift register to the input register of the selected DAC. If SYNC is taken high before the 16th falling edge of SCLK, the data transfer is aborted and the input registers are not updated.

When data has been transferred into both input registers, the DAC registers of both DACs can be simultaneously updated, by taking LDAC low. CLR is an active low, asynchronous clear that clears the input and DAC registers of both DACs to all 0s.

### LOW POWER SERIAL INTERFACE

To reduce the power consumption of the device even further, the interface only powers up fully when the device is being written to. As soon as the 16-bit control word is written to the device, the SCLK and DIN input buffers are powered down. They only power up again following a falling edge of SYNC.

### DOUBLE-BUFFERED INTERFACE

The DACs all have double-buffered interfaces consisting of two banks of registers—input registers and DAC registers. The input register is connected directly to the input shift register and the digital code is transferred to the relevant input register on completion of a valid write sequence. The DAC register contains the digital code used by the resistor string.

Access to the DAC register is controlled by the LDAC function. When LDAC is high, the DAC register is latched and the input register can change state without affecting the contents of the DAC register. However, when LDAC is brought low, the DAC register becomes transparent and the contents of the input register are transferred to it.

This is useful if the user requires simultaneous updating of both DAC outputs. The user can write to both input registers individually and then, by pulsing the LDAC input low, both outputs update simultaneously.

These devices contain an extra feature whereby the DAC register is not updated unless its input register has been updated since the last time that LDAC was brought low. Normally, when LDAC is brought low, the DAC registers are filled with the contents of the input registers. In the case of the AD5313/AD5323, the device only updates the DAC register if the input register has been changed since the last time the DAC register was updated, thereby removing unnecessary digital crosstalk.



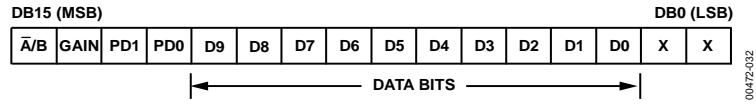


Figure 27. AD5313 Input Shift Register Contents

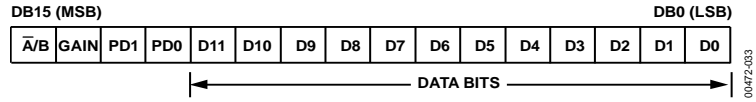


Figure 28. AD5323 Input Shift Register Contents

## POWER-DOWN MODES

The AD5313/AD5323 have very low power consumption, dissipating only 0.7 mW with a 3 V supply and 1.5 mW with a 5 V supply. Power consumption can be further reduced when the DACs are not in use by putting them into one of three power-down modes, which are selected by Bit 13 and Bit 12 (PD1 and PD0) of the control word. Table 7 shows how the state of the bits corresponds to the mode of operation of that particular DAC.

**Table 7. PD1/PD0 Operating Modes**

PD1	PD0	Operating Mode
0	0	Normal operation
0	1	Power-down (1 k $\Omega$ load to GND)
1	0	Power-down (100 k $\Omega$ load to GND)
1	1	Power-down (high impedance output)

When both bits are set to 0, the DACs work normally with their normal power consumption of 300  $\mu$ A at 5 V. However, for the three power-down modes, the supply current falls to 200 nA at 5 V (50 nA at 3 V) when both DACs are powered down. Not only does the supply current drop, but the output stage is also internally switched from the output of the amplifier to a resistor network of known values. This has the advantage that the output impedance of the device is known while the device is in power-down mode and provides a defined input condition for whatever is connected to the output of the DAC amplifier. There are three different

power-down options. The output is connected internally to GND through either a 1 k $\Omega$  resistor or a 100 k $\Omega$  resistor, or it is left in a high impedance state (three-state). Figure 29 shows the output stage.

The bias generator, the output amplifier, the resistor string, and all other associated linear circuitry are shut down when the power-down mode is activated. However, the contents of the registers are unaffected when in power-down. The time to exit power-down is typically 2.5  $\mu$ s for  $V_{DD} = 5$  V and 5  $\mu$ s when  $V_{DD} = 3$  V (see Figure 20).

The software power-down modes programmed by PD0 and PD1 are overridden by the  $\overline{PD}$  pin. Taking this pin low puts both DACs into power-down mode simultaneously and both outputs are put into a high impedance state. If  $\overline{PD}$  is not used, tie the pin high.

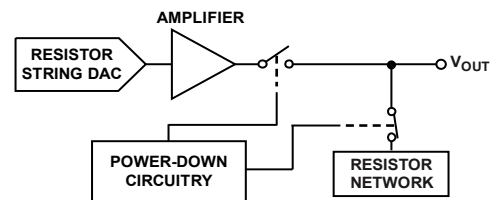


Figure 29. Output Stage During Power-Down

004372-034

## MICROPROCESSOR INTERFACING

### AD5313/AD5323 TO ADSP-2161 INTERFACE

Figure 30 shows a serial interface between the AD5313/AD5323 and the ADSP-2161. Set up the ADSP-2161 to operate in the SPORT transmit alternate framing mode. The ADSP-2161 SPORT is programmed through the SPORT control register. Configure the ADSP-2161 as follows: internal clock operation, active-low framing, 16-bit word length. Transmission is initiated by writing a word to the Tx register after the SPORT has been enabled.

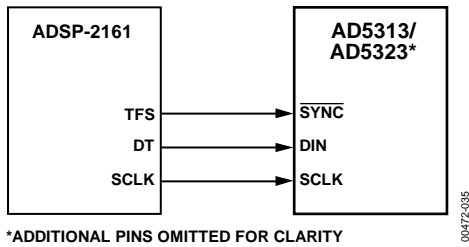


Figure 30. AD5313/AD5323 to ADSP-2161 Interface

### AD5313/AD5323 TO 68HC11/68L11 INTERFACE

Figure 31 shows a serial interface between the AD5313/AD5323 and the 68HC11/68L11 microcontroller. SCK of the 68HC11/68L11 drives the SCLK of the AD5313/AD5323, while the MOSI output drives the serial data line (DIN) of the DAC. The SYNC signal is derived from a port line (PC7). The setup conditions for correct operation of this interface are as follows: configure the 68HC11/68L11 so that its CPOL bit is a 0 and its CPHA bit is a 1. When data is being transmitted to the DAC, the SYNC line is taken low (PC7). When the 68HC11/68L11 is configured as previously mentioned, data appearing on the MOSI output is valid on the falling edge of SCK. Serial data from the 68HC11/68L11 is transmitted in 8-bit bytes with only eight falling clock edges occurring in the transmit cycle. Data is transmitted MSB first. To load data to the AD5313/AD5323, PC7 is left low after the first eight bits are transferred and a second serial write operation is performed to the DAC; PC7 is taken high at the end of this procedure.

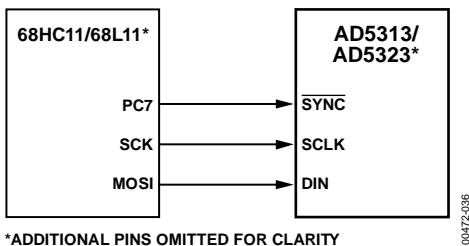


Figure 31. AD5313/AD5323 to 68HC11/68L11 Interface

### AD5313/AD5323 TO 80C51/80L51 INTERFACE

Figure 32 shows a serial interface between the AD5313/AD5323 and the 80C51/80L51 microcontroller. The setup for the interface is as follows: TXD of the 80C51/80L51 drives SCLK of the AD5313/AD5323, while RXD drives the serial data line of the device. The SYNC signal is again derived from a bit programmable pin on the port. In this case, port line P3.3 is used. When data is to be transmitted to the AD5313/AD5323, P3.3 is taken low. The 80C51/80L51 transmits data only in 8-bit bytes; thus only eight falling clock edges occur in the transmit cycle. To load data to the DAC, P3.3 is left low after the first eight bits are transmitted and a second write cycle is initiated to transmit the second byte of data. P3.3 is taken high following the completion of this cycle. The 80C51/80L51 output the serial data in a format that has the LSB first. The AD5313/AD5323 require data with MSB as the first bit received. The 80C51/80L51 transmit routine must take this into account.

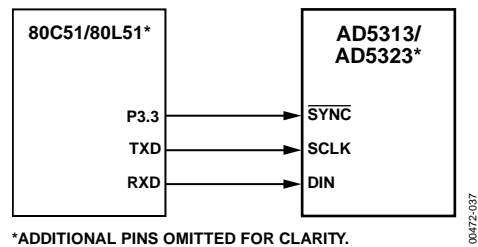


Figure 32. AD5313/AD5323 to 80C51/80L51 Interface

### AD5313/AD5323 TO MICROWIRE INTERFACE

Figure 33 shows an interface between the AD5313/AD5323 and any MICROWIRE-compatible device. Serial data is shifted out on the falling edge of the serial clock and is clocked into the AD5313/AD5323 on the rising edge of the SK.

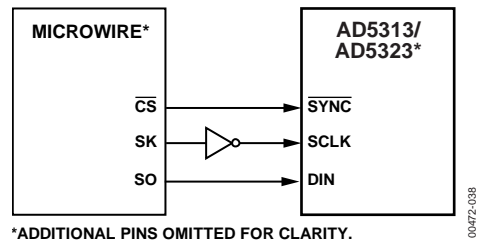


Figure 33. AD5313/AD5323 to MICROWIRE Interface

## APPLICATIONS INFORMATION

### TYPICAL APPLICATION CIRCUIT

The AD5313/AD5323 can be used with a wide range of reference voltages, especially if the reference inputs are configured to be unbuffered, in which case the devices offer a full, one-quadrant multiplying capability over a reference range of 0 V to  $V_{DD}$ .

Typically, the AD5313/AD5323 can be used with a fixed precision reference voltage. Figure 34 shows a typical setup for the AD5313/AD5323 when using an external reference. If the reference inputs are unbuffered, the reference input range is from 0 V to  $V_{DD}$ , but if the on-chip reference buffers are used, the reference range is reduced. Suitable references for 5 V operation are the AD780 and REF192 (2.5 V references). For 2.5 V operation, a suitable external reference is the REF191, a 2.048 V reference.

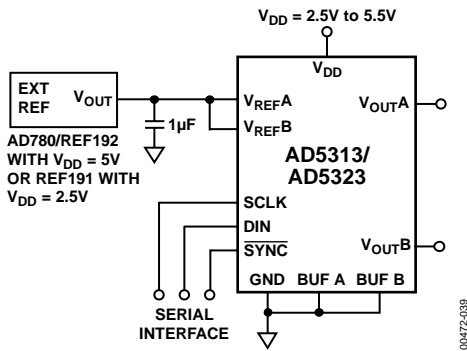


Figure 34. AD5313/AD5323 Using External Reference

If an output range of 0 V to  $V_{DD}$  is required when the reference inputs are configured as unbuffered (for example, 0 V to 5 V), the simplest solution is to connect the reference inputs to  $V_{DD}$ . Because this supply may not be very accurate and may be noisy, the AD5313/AD5323 can be powered from the reference voltage, for example, using a 5 V reference such as the REF195, as shown in Figure 35. The REF195 outputs a steady supply voltage for the AD5313/AD5323. The supply current required from the REF195 is 300  $\mu$ A and approximately 30  $\mu$ A or 60  $\mu$ A into each of the reference inputs (if unbuffered). This is with no load on the DAC outputs. When the DAC outputs are loaded, the REF195 also needs to supply the current to the loads. The total current required (with a 10 k $\Omega$  load on each output) is

$$360 \mu\text{A} + 2(5 \text{ V}/10 \text{ k}\Omega) = 1.36 \text{ mA}$$

The load regulation of the REF195 is typically 2 ppm/mA, which results in an error of 2.7 ppm (13.5  $\mu$ V) for the 1.36 mA current drawn from it. This corresponds to a 0.011 LSB error at 12 bits.

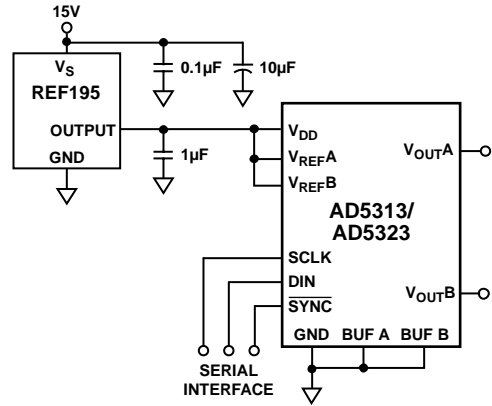


Figure 35. Using an REF195 as Power and Reference to the AD5313/AD5323

### BIPOLAR OPERATION USING THE AD5313/AD5323

The AD5313/AD5323 are designed for single-supply operation, but bipolar operation is also achievable using the circuit shown in Figure 36. The circuit shown has been configured to achieve an output voltage range of  $-5 \text{ V} < V_{OUT} < +5 \text{ V}$ . Rail-to-rail operation at the amplifier output is achievable using an AD820 or OP295 as the output amplifier.

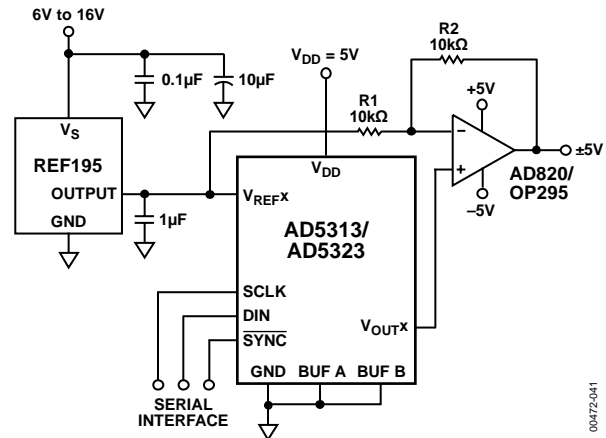


Figure 36. Bipolar Operation Using the AD5313/AD5323

The output voltage for any input code can be calculated as follows:

$$V_{OUT} = ((V_{REF}) \times (D/2^N) \times (R1 + R2)/R1 - V_{REF} \times (R2/R1))$$

where:

$D$  is the decimal equivalent of the code loaded to the DAC.

$N$  is the DAC resolution.

$V_{REF}$  is the reference voltage input, and gain bit = 0.

With  $V_{REF} = 5 \text{ V}$ ,  $R1 = R2 = 10 \text{ k}\Omega$ , and  $V_{DD} = 5 \text{ V}$ ,

$$V_{OUT} = (10 \times D/2^N) - 5 \text{ V}$$

### OPTO-ISOLATED INTERFACE FOR PROCESS CONTROL APPLICATIONS

The AD5313/AD5323 has a versatile 3-wire serial interface making it ideal for generating accurate voltages in process control and industrial applications. Due to noise, safety requirements, or distance, it may be necessary to isolate the AD5313/AD5323 from the controller. This can easily be achieved by using opto-isolators, which provide isolation in excess of 3 kV. The serial loading structure of the AD5313/AD5323 makes it ideally suited for use in opto-isolated applications. Figure 37 shows an opto-isolated interface to the AD5313/AD5323 where DIN, SCLK, and SYNC are driven from opto-couplers. Use a transformer to isolate the power supply to the device. On the DAC side of the transformer, a 5 V regulator provides the 5 V supply required for the AD5313/AD5323.

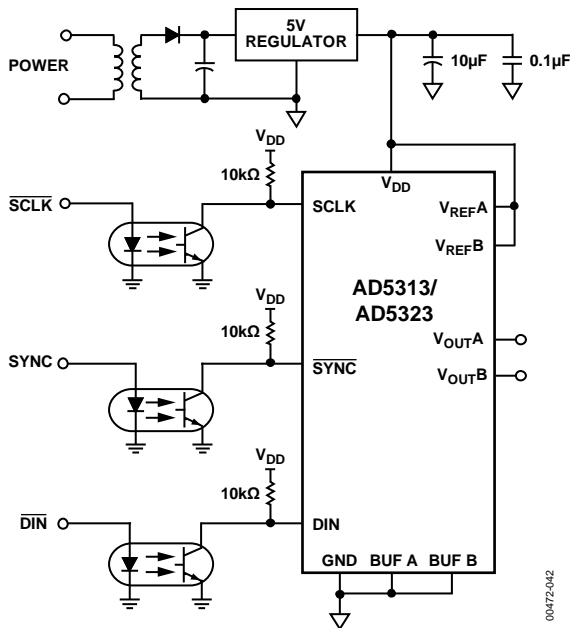


Figure 37. AD5313/AD5323 in an Opto-Isolated Interface

### DECODING MULTIPLE AD5313/AD5323s

The SYNC pin on the AD5313/AD5323 can be used in applications to decode a number of DACs. In this application, all the DACs in the system receive the same serial clock and serial data, but only the SYNC to one of the devices is active at any one time, allowing access to two channels in this 8-channel system. The 74HC139 acts as a two-line to four-line decoder to address any of the DACs in the system. To prevent timing errors from occurring, bring the enable input to its inactive state while the coded address inputs are changing state. Figure 38 shows a diagram of a typical setup for decoding multiple AD5313/AD5323 devices in a system.

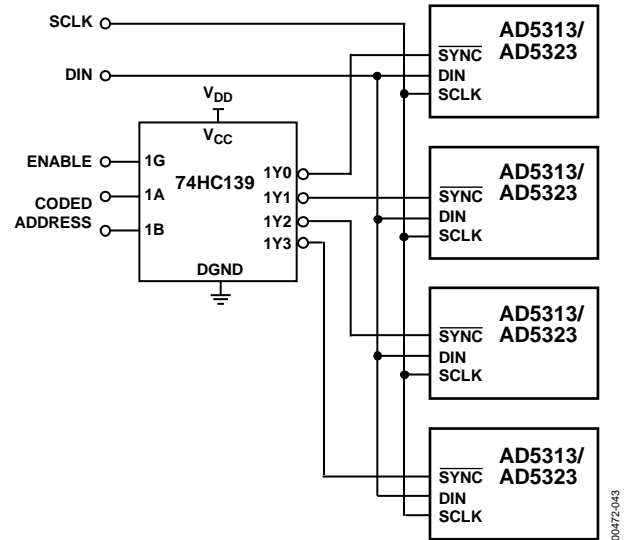


Figure 38. Decoding Multiple AD5313/AD5323 Devices in a System

### AD5313/AD5323 AS A DIGITALLY PROGRAMMABLE WINDOW DETECTOR

A digitally programmable upper/lower limit detector using the two DACs in the AD5313/AD5323 is shown in Figure 39. The upper and lower limits for the test are loaded to DAC A and DAC B, which, in turn, set the limits on the CMP04. If the signal at the VIN input is not within the programmed window, an LED indicates the fail condition.

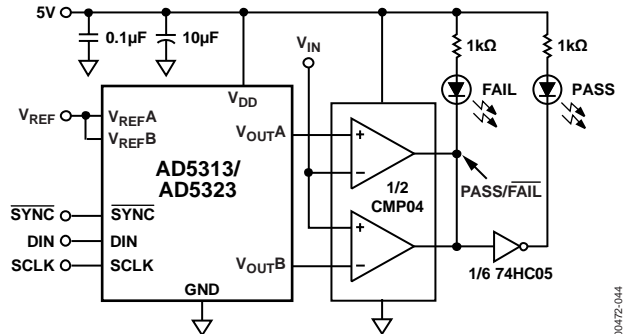


Figure 39. Window Detector Using AD5313/AD5323

**COARSE AND FINE ADJUSTMENT USING THE AD5313/AD5323**

The DACs in the AD5313/AD5323 can be paired together to form a coarse and fine adjustment function, as shown in Figure 40. DAC A provides the coarse adjustment while DAC B provides the fine adjustment. Varying the ratio of R1 and R2 changes the relative effect of the coarse and fine adjustments. With the resistor values and external reference shown, the output amplifier has unity gain for the DAC A output, so the output range is 0 V to 2.5 V – 1 LSB. For DAC B, the amplifier has a gain of  $7.6 \times 10^{-3}$ , giving DAC B a range equal to 19 mV.

The circuit is shown with a 2.5 V reference, but reference voltages up to V<sub>DD</sub> can be used. The op amps indicated allow a rail-to-rail output swing.

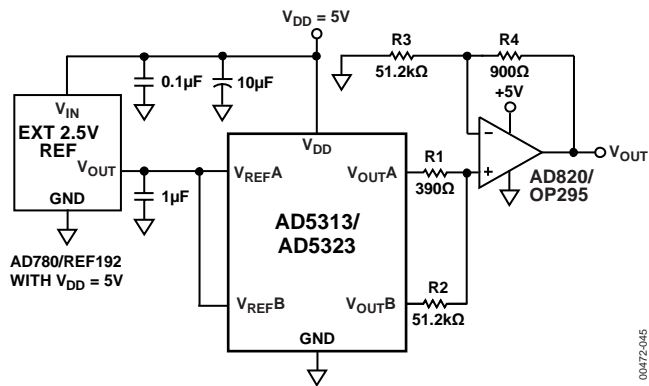


Figure 40. Coarse and Fine Adjustment

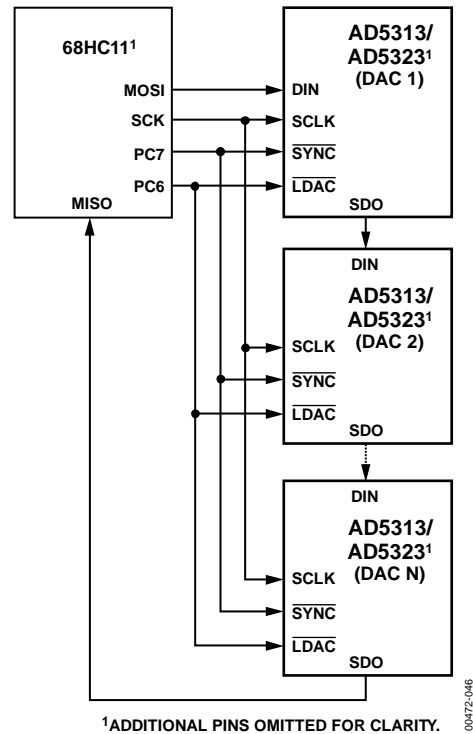
**DAISY-CHAIN MODE**

This mode is used for updating serially connected or standalone devices on the rising edge of SYNC. For systems that contain several DACs, or to read back the DAC contents for diagnostic purposes, the SDO pin can be used to daisy-chain several devices together and provide serial readback.

By connecting the daisy-chain enable (DCEN) pin high, the daisy-chain mode is enabled. It is tied low in standalone mode. In daisy-chain mode, the internal gating on SCLK is disabled. The SCLK is continuously applied to the input shift register when SYNC is low. If more than 16 clock pulses are applied, the data ripples out of the shift register and appears on the SDO line. This data is clocked out after the falling edge of SCLK and is valid on the subsequent rising and falling edges. By connecting this line to the DIN input on the next DAC in the chain, a multiDAC interface is constructed. Sixteen clock pulses are required for each DAC in the system. Therefore, the total number of clock cycles must equal 16N, where N is the total number of devices in the chain. When the serial transfer to all devices is complete, take SYNC high. This prevents any further data from being clocked into the input shift register.

A continuous SCLK source can be used if it can be arranged that SYNC is held low for the correct number of clock cycles. Alternatively, a burst clock containing the exact number of clock cycles can be used and SYNC can be taken high some time later.

When the transfer to all input registers is complete, a common LDAC signal updates all DAC registers and all analog outputs are updated simultaneously.



<sup>1</sup>ADDITIONAL PINS OMITTED FOR CLARITY.

Figure 41. Daisy-Chain Mode

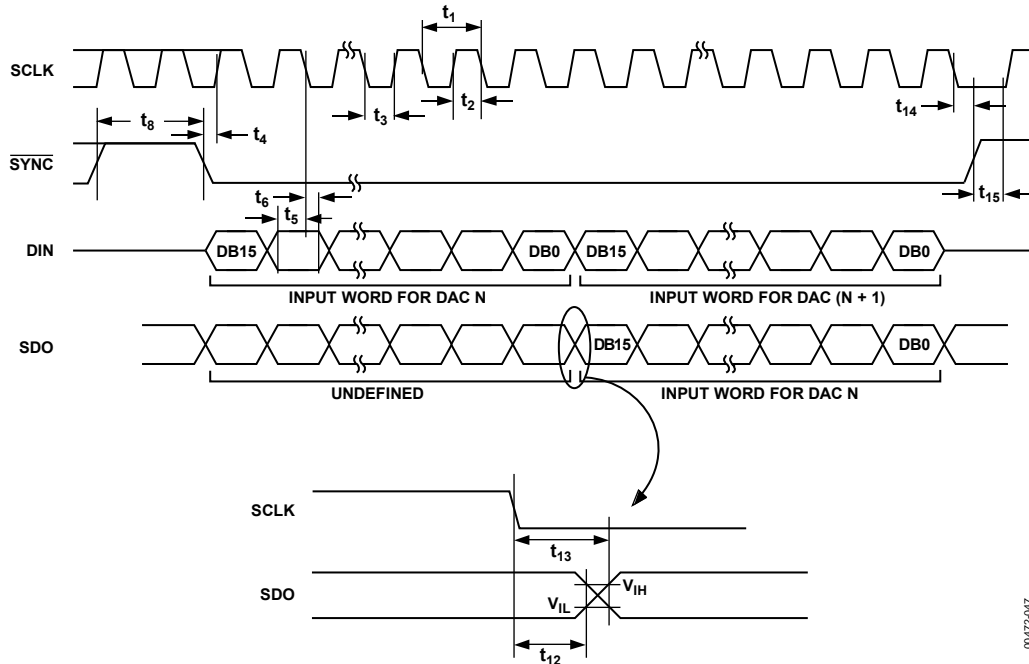


Figure 42. Daisy-Chaining Timing Diagram

00472-047

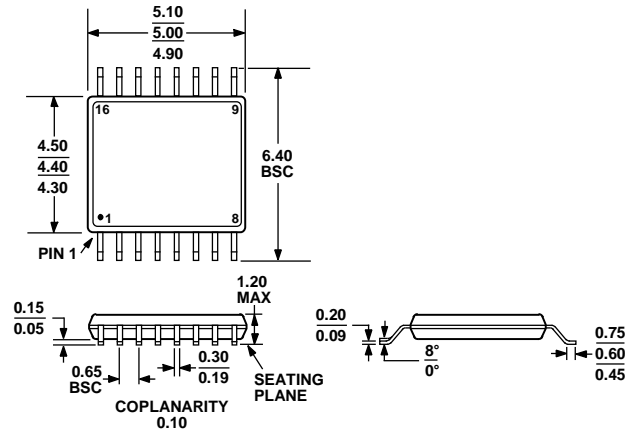
**POWER SUPPLY BYPASSING AND GROUNDING**

In any circuit where accuracy is important, careful consideration of the power supply and ground return layout helps to ensure the rated performance. The printed circuit board on which the AD5313/AD5323 are mounted must be designed so that the analog and digital sections are separated and confined to certain areas of the board. If the AD5313/AD5323 are in a system where multiple devices require an AGND to DGND connection, make the connection at one point only. Establish the star ground point as close as possible to the AD5313/AD5323. The AD5313/AD5323 must have ample supply bypassing of 10  $\mu\text{F}$  in parallel with 0.1  $\mu\text{F}$  on the supply located as close to the package as possible, ideally right up against the device. Use 10  $\mu\text{F}$  capacitors that are of the tantalum bead type. The 0.1  $\mu\text{F}$  capacitor has low effective series resistance (ESR) and effective series

inductance (ESI), like the common ceramic types that provide a low impedance path to ground at high frequencies to handle transient currents due to internal logic switching.

The power supply lines of the AD5313/AD5323 must use as large a trace as possible to provide low impedance paths and reduce the effects of glitches on the power supply line. Fast switching signals such as clocks must be shielded with digital ground to avoid radiating noise to other areas of the board, and must never be run near the reference inputs. Avoid crossover of digital and analog signals. Traces on opposite sides of the board must run at right angles to each other. This reduces the effects of feedthrough through the board. A microstrip technique is by far the best but is not always possible with a double-sided board. In this technique, the component side of the board is dedicated to the ground plane while signal traces are placed on the solder side.

## OUTLINE DIMENSIONS



COMPLIANT TO JEDEC STANDARDS MO-153-AB

Figure 43. 16-Lead Thin Shrink Small Outline Package [TSSOP]  
(RU-16)

Dimensions shown in millimeters

## ORDERING GUIDE

Model <sup>1, 2</sup>	Temperature Range	Package Description	Package Option
AD5313ARUZ	-40°C to +105°C	16-Lead Thin Shrink Small Outline Package (TSSOP)	RU-16
AD5313ARUZ-REEL7	-40°C to +105°C	16-Lead Thin Shrink Small Outline Package (TSSOP)	RU-16
AD5313BRUZ	-40°C to +105°C	16-Lead Thin Shrink Small Outline Package (TSSOP)	RU-16
AD5313BRUZ-REEL7	-40°C to +105°C	16-Lead Thin Shrink Small Outline Package (TSSOP)	RU-16
AD5323ARUZ	-40°C to +105°C	16-Lead Thin Shrink Small Outline Package (TSSOP)	RU-16
AD5323BRU	-40°C to +105°C	16-Lead Thin Shrink Small Outline Package (TSSOP)	RU-16
AD5323BRU-REEL7	-40°C to +105°C	16-Lead Thin Shrink Small Outline Package (TSSOP)	RU-16
AD5323BRUZ	-40°C to +105°C	16-Lead Thin Shrink Small Outline Package (TSSOP)	RU-16
AD5323BRUZ-REEL	-40°C to +105°C	16-Lead Thin Shrink Small Outline Package (TSSOP)	RU-16
AD5323BRUZ-REEL7	-40°C to +105°C	16-Lead Thin Shrink Small Outline Package (TSSOP)	RU-16
AD5313WBRUZ-REEL7	-40°C to +105°C	16-Lead Thin Shrink Small Outline Package (TSSOP)	RU-16

<sup>1</sup> Z = RoHS Compliant Part.

<sup>2</sup> W = Qualified for Automotive Applications.

## AUTOMOTIVE PRODUCTS

The [AD5313W](#) model is available with controlled manufacturing to support the quality and reliability requirements of automotive applications. Note that this automotive model may have specifications that differ from the commercial models; therefore, designers should review the Specifications section of this data sheet carefully. Only the automotive grade product shown is available for use in automotive applications. Contact your local Analog Devices, Inc., account representative for specific product ordering information and to obtain the specific Automotive Reliability reports for this model.



# Mouser Electronics

Authorized Distributor

Click to View Pricing, Inventory, Delivery & Lifecycle Information:

## [Analog Devices Inc.:](#)

[AD5323BRUZ](#) [AD5313ARUZ-REEL7](#) [AD5323ARUZ](#) [AD5313BRUZ-REEL7](#) [AD5323BRU](#) [AD5323BRUZ-REEL](#)  
[AD5323BRU-REEL7](#) [AD5313WBRUZ-REEL7](#) [AD5323BRUZ-REEL7](#) [AD5313BRUZ](#) [AD5313ARUZ](#)