

COMPLEMENTARY PAIR ENHANCEMENT MODE MOSFET
Product Summary

| Device | $V_{(BR)DSS}$ | $R_{DS(ON)}$ | I_D $T_A = +25^\circ\text{C}$ |
|--------|---------------|---------------------------------|------------------------------------|
| Q1 | 25V | 4Ω @ $V_{GS} = 4.5\text{V}$ | 0.4 A |
| Q2 | -30V | 80mΩ @ $V_{GS} = -12\text{V}$ | -3.2 A |
| | | 125mΩ @ $V_{GS} = -4.5\text{V}$ | -2.6 A |

Description

This new generation MOSFET is designed to minimize the on-state resistance ($R_{DS(ON)}$) and yet maintain superior switching performance, making it ideal for high efficiency power management applications.

Applications

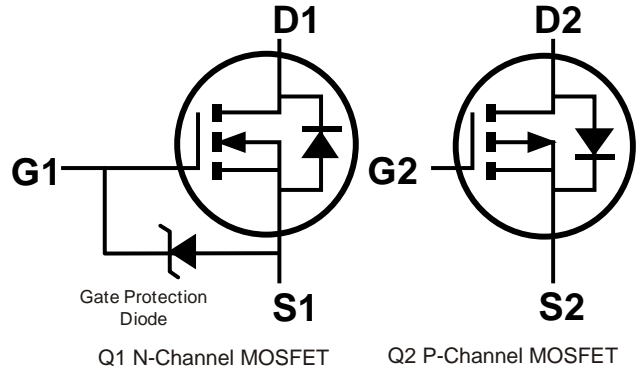
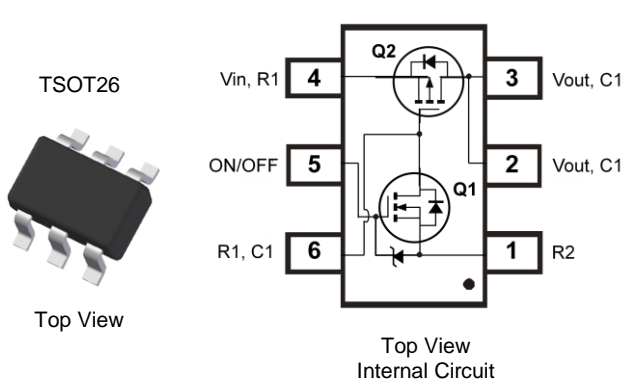
- DC-DC Converters
- Power Management Functions
- Load Switch

Features and Benefits

- Low On-Resistance
- Low Input Capacitance
- Fast Switching Speed
- Low Input/Output Leakage
- ESD Protected Gate on N-Channel (>6kV Human Body Model)
- **Totally Lead-Free & Fully RoHS Compliant (Notes 1 & 2)**
- **Halogen and Antimony Free. "Green" Device (Note 3)**
- **Qualified to AEC-Q101 Standards for High Reliability**

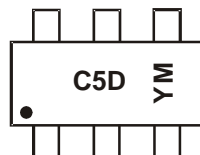
Mechanical Data

- Case: TSOT26
- Case Material: Molded Plastic, "Green" Molding Compound.
UL Flammability Classification Rating 94V-0
- Moisture Sensitivity: Level 1 per J-STD-020
- Terminals Connections: See Diagram
- Terminals: Finish – Matte Tin Annealed over Copper Leadframe.
Solderable per MIL-STD-202, Method 208 (e3)
- Weight: 0.013 grams (Approximate)


Ordering Information (Note 4)

| Part Number | Case | Packaging |
|---------------|--------|---------------------|
| DMC25D0UVT-7 | TSOT26 | 3000 / Tape & Reel |
| DMC25D0UVT-13 | TSOT26 | 10000 / Tape & Reel |

- Notes:
1. No purposely added lead. Fully EU Directive 2002/95/EC (RoHS) & 2011/65/EU (RoHS 2) compliant.
 2. See http://www.diodes.com/quality/lead_free.html for more information about Diodes Incorporated's definitions of Halogen- and Antimony-free, "Green" and Lead-free.
 3. Halogen- and Antimony-free "Green" products are defined as those which contain <900ppm bromine, <900ppm chlorine (<1500ppm total Br + Cl) and <1000ppm antimony compounds.
 4. For packaging details, go to our website at <http://www.diodes.com/products/packages.html>.

Marking Information


C5D = Product Type Marking Code
 YM or YM = Date Code Marking
 Y or Y = Year (ex: C = 2015)
 M = Month (ex: 9 = September)

Date Code Key

| Year | 2015 | 2016 | 2017 | 2018 | 2019 | 2020 | 2021 |
|------|------|------|------|------|------|------|------|
| Code | C | D | E | F | G | H | I |

| Month | Jan | Feb | Mar | Apr | May | Jun | Jul | Aug | Sep | Oct | Nov | Dec |
|-------|-----|-----|-----|-----|-----|-----|-----|-----|-----|-----|-----|-----|
| Code | 1 | 2 | 3 | 4 | 5 | 6 | 7 | 8 | 9 | O | N | D |

Maximum Ratings – Q1 (@T_A = +25°C, unless otherwise specified.)

| Characteristic | Symbol | Value | Unit |
|--|------------------|------------|------|
| Drain-Source Voltage | V _{DSS} | 25 | V |
| Gate-Source Voltage | V _{GSS} | -0.5 +8 | V |
| Continuous Drain Current (Note 5) V _{GS} = 4.5V | I _D | 0.4 | A |
| Maximum Continuous Body Diode Forward Current (Note 6) | I _S | 1.2 | A |
| Pulsed Drain Current (Note 6) | I _{DM} | 1.5 | A |

Maximum Ratings – Q2 (@T_A = +25°C, unless otherwise specified.)

| Characteristic | Symbol | Value | Unit |
|---|------------------|--------------|-------|
| Drain-Source Voltage | V _{DSS} | -30 | V |
| Gate-Source Voltage | V _{GSS} | ±12 | V |
| Continuous Drain Current (Note 5) V _{GS} = -10V | I _D | Steady State | -3.2 |
| | | Note 9 | -14.4 |
| Continuous Drain Current (Note 5) V _{GS} = -4.5V | I _D | -2.6 | A |
| Maximum Continuous Body Diode Forward Current (Note 6) | I _S | -1.2 | A |
| Pulsed Drain Current (Note 6) | I _{DM} | -20 | A |

Thermal Characteristics

| Characteristic | Symbol | Value | Unit |
|--|-----------------------------------|--------------|------|
| Power Dissipation (Note 5) | P _D | 1.2 | W |
| Thermal Resistance, Junction to Ambient (Note 5) | R _{θJA} | Steady State | 101 |
| | | Note 9 | 5 |
| Thermal Resistance, Junction to Case (Note 5) | R _{θJC} | 37 | °C/W |
| Operating and Storage Temperature Range | T _J , T _{STG} | -55 to +150 | °C |

Electrical Characteristics – Q1 (@T_A = +25°C, unless otherwise specified.)

| Characteristic | Symbol | Min | Typ | Max | Unit | Test Condition |
|--|---------------------|------|------|-----|------|--|
| OFF CHARACTERISTICS (Note 7) | | | | | | |
| Drain-Source Breakdown Voltage | BV _{DSS} | 25 | — | — | V | V _{GS} = 0V, I _D = 250μA |
| Zero Gate Voltage Drain Current | I _{DSS} | — | — | 1 | μA | V _{DS} = 20V, V _{GS} = 0V |
| Gate-Source Leakage | I _{GSS} | — | — | 100 | nA | V _{GS} = 8V, V _{DS} = 0V |
| ON CHARACTERISTICS (Note 7) | | | | | | |
| Gate Threshold Voltage | V _{GS(TH)} | 0.65 | 0.85 | 1.5 | V | V _{DS} = V _{GS} , I _D = 250μA |
| Static Drain-Source On-Resistance | R _{DS(ON)} | — | 3.8 | 4 | Ω | V _{GS} = 4.5V, I _D = 0.4A |
| Diode Forward Voltage | V _{SD} | — | 0.76 | 1.2 | V | V _{GS} = 0V, I _S = 0.29A |
| DYNAMIC CHARACTERISTICS (Note 8) | | | | | | |
| Input Capacitance | C _{iss} | — | 26.2 | — | pF | V _{DS} = 10V, V _{GS} = 0V, f = 1.0MHz |
| Output Capacitance | C _{oss} | — | 7.1 | — | | |
| Reverse Transfer Capacitance | C _{riss} | — | 2.7 | — | | |
| Gate Resistance | R _g | — | 84.5 | — | Ω | V _{DS} = 0V, V _{GS} = 0V, f = 1MHz |
| Total Gate Charge (V _{GS} = 4.5V) | Q _g | — | 0.4 | — | nC | V _{DS} = 5V, I _D = 0.2A |
| Total Gate Charge (V _{GS} = 8V) | Q _g | — | 0.7 | — | | |
| Gate-Source Charge | Q _{gs} | — | 0.1 | — | | |
| Gate-Drain Charge | Q _{gd} | — | 0.1 | — | | |
| Turn-On Delay Time | t _{D(ON)} | — | 3 | — | ns | V _{GS} = 4.5V, V _{DS} = 6V, R _G = 50Ω, I _D = 0.5A |
| Turn-On Rise Time | t _R | — | 2.3 | — | | |
| Turn-Off Delay Time | t _{D(OFF)} | — | 7.7 | — | | |
| Turn-Off Fall Time | t _F | — | 3.7 | — | | |

- Notes:
- Device mounted on FR-4 substrate PC board, 2oz copper, with 1inch square copper plate.
 - Repetitive rating, pulse width limited by junction temperature.
 - Short duration pulse test used to minimize self-heating effect.
 - Guaranteed by design. Not subject to production testing.
 - Pulse Test: Pulse Width < 300μs, Duty Cycle < 2.0%.

Electrical Characteristics – Q2 (@T_A = +25°C, unless otherwise specified.)

| Characteristic | Symbol | Min | Typ | Max | Unit | Test Condition |
|---|---------------------|------|------|------|------|--|
| OFF CHARACTERISTICS (Note 10) | | | | | | |
| Drain-Source Breakdown Voltage | BV _{DSS} | -30 | — | — | V | V _{GS} = 0V, I _D = -250μA |
| Zero Gate Voltage Drain Current | I _{DSS} | — | — | -1 | μA | V _{DS} = -24V, V _{GS} = 0V |
| Gate-Source Leakage | I _{GSS} | — | — | ±100 | nA | V _{GS} = ±12V, V _{DS} = 0V |
| ON CHARACTERISTICS (Note 10) | | | | | | |
| Gate Threshold Voltage | V _{GS(TH)} | -0.5 | -0.9 | -1.5 | V | V _{DS} = V _{GS} , I _D = -250μA |
| Static Drain-Source On-Resistance | R _{DS(ON)} | — | 59 | 80 | mΩ | V _{GS} = -12V, I _D = -2.3A |
| | | — | 75 | 125 | | V _{GS} = -4.5V, I _D = -1.9A |
| | | — | — | 300 | | V _{GS} = -2.5V, I _D = -1A |
| Diode Forward Voltage | V _{SD} | — | -0.7 | -1.2 | V | V _{GS} = 0V, I _S = -1A |
| DYNAMIC CHARACTERISTICS (Note 11) | | | | | | |
| Input Capacitance | C _{iSS} | — | 854 | — | pF | V _{DS} = -15V, V _{GS} = 0V, f = 1MHz |
| Output Capacitance | C _{oSS} | — | 53 | — | | |
| Reverse Transfer Capacitance | C _{rSS} | — | 47 | — | | |
| Gate Resistance | R _g | — | 11 | — | Ω | V _{DS} = 0V, V _{GS} = 0V, f = 1MHz |
| Total Gate Charge (V _{GS} = -4.5V) | Q _g | — | 10 | — | nC | V _{DS} = -15V, I _D = -4A |
| Total Gate Charge (V _{GS} = -10V) | Q _g | — | 21 | — | | |
| Gate-Source Charge | Q _{gs} | — | 1.5 | — | | |
| Gate-Drain Charge | Q _{gd} | — | 2.8 | — | | |
| Turn-On Delay Time | t _{D(ON)} | — | 3.5 | — | ns | V _{GS} = -10V, V _{DS} = -15V, R _G = 6Ω, I _D = -1A |
| Turn-On Rise Time | t _R | — | 3.3 | — | | |
| Turn-Off Delay Time | t _{D(OFF)} | — | 61.4 | — | | |
| Turn-Off Fall Time | t _F | — | 14.6 | — | | |

Notes: 10. Short duration pulse test used to minimize self-heating effect.
 11. Guaranteed by design. Not subject to production testing.

Typical Characteristics - N-CHANNEL

NEW PRODUCT

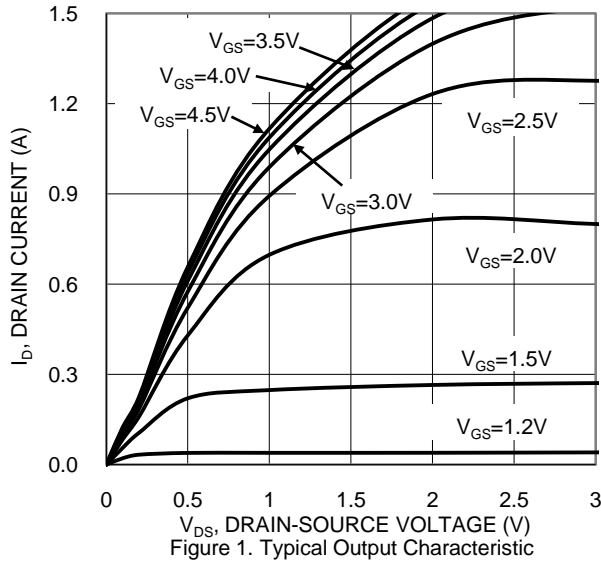


Figure 1. Typical Output Characteristic

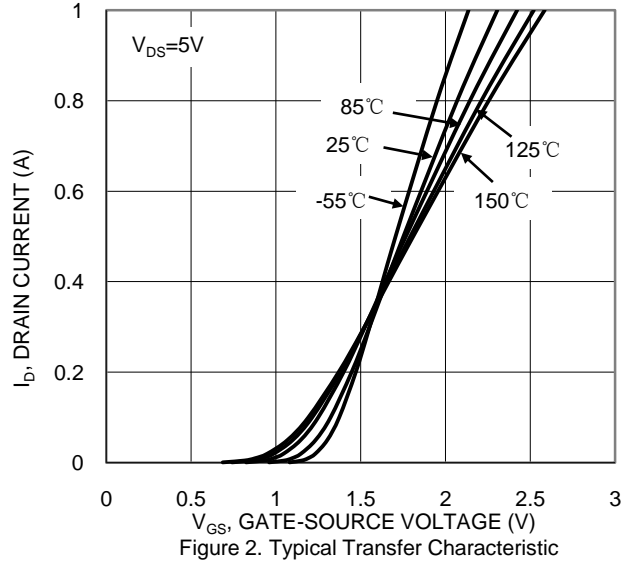


Figure 2. Typical Transfer Characteristic

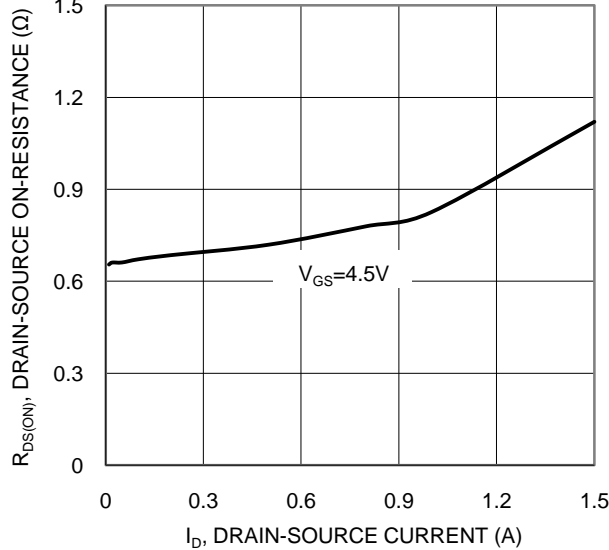


Figure 3. Typical On-Resistance vs Drain Current and Gate Voltage

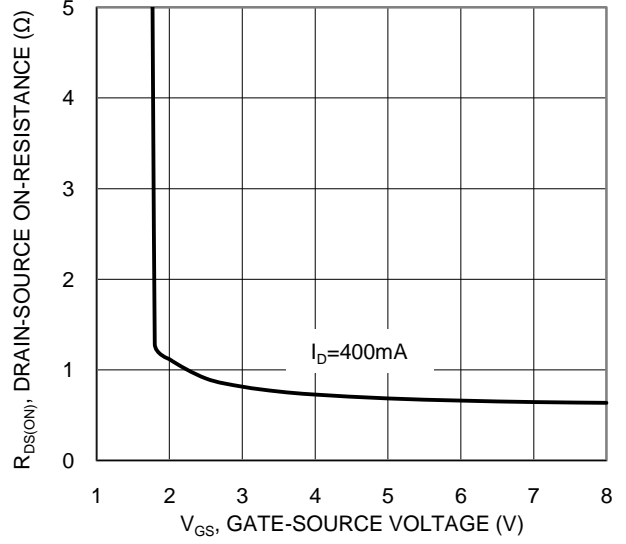


Figure 4. Typical Transfer Characteristic

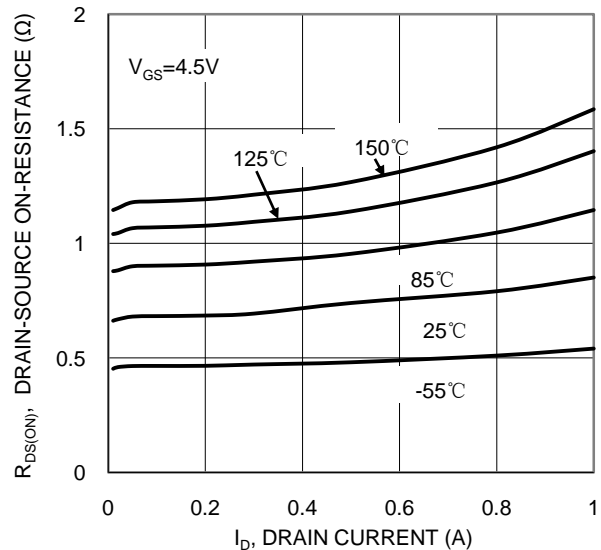


Figure 5. Typical On-Resistance vs Drain Current and Temperature

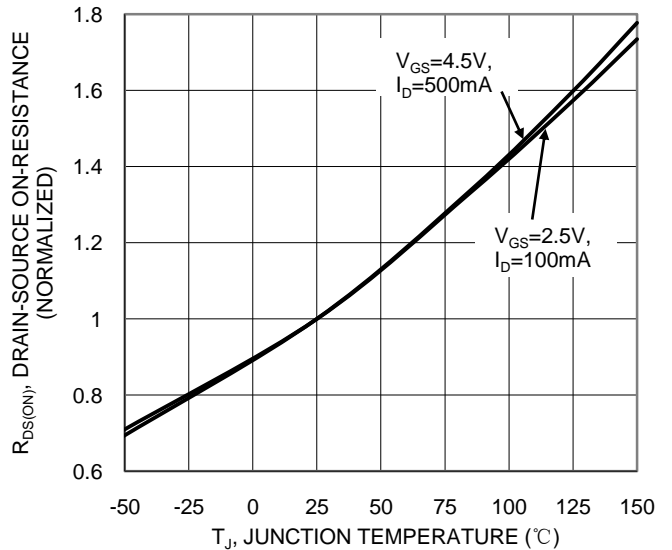


Figure 6. On-Resistance Variation with Temperature

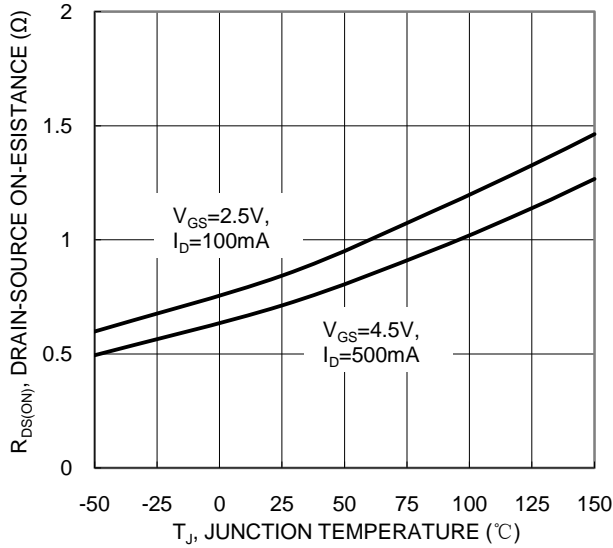


Figure 7. On-Resistance Variation with Temperature

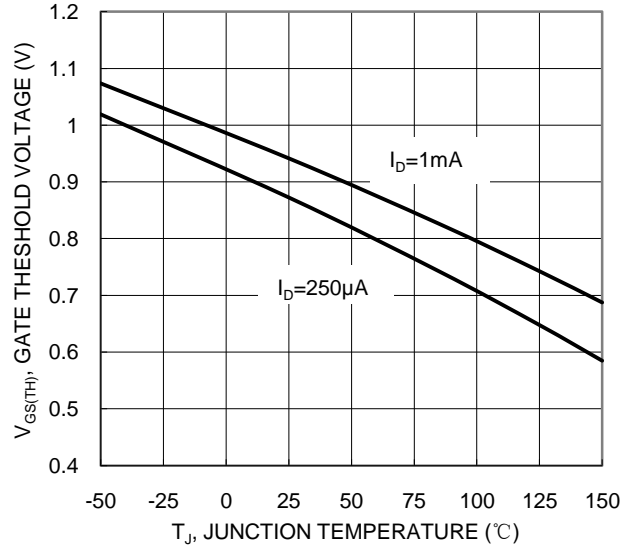


Figure 8. Gate Threshold Variation vs Junction Temperature

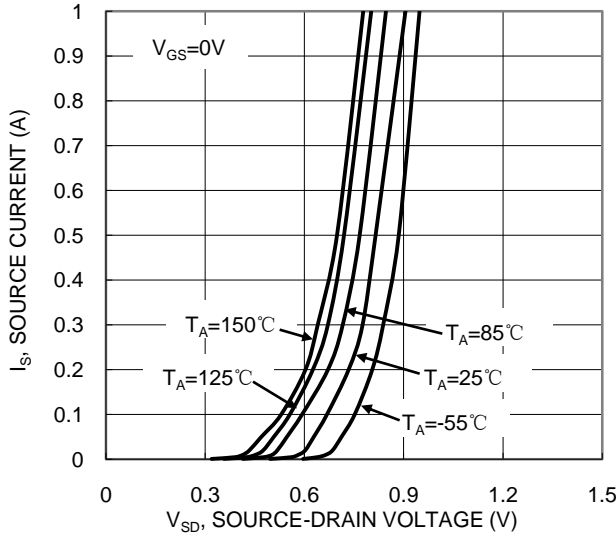


Figure 9. Diode Forward Voltage vs Current

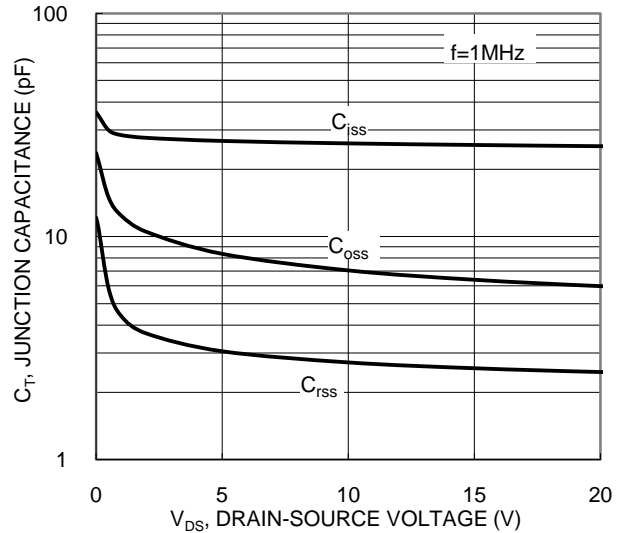


Figure 10. Typical Junction Capacitance

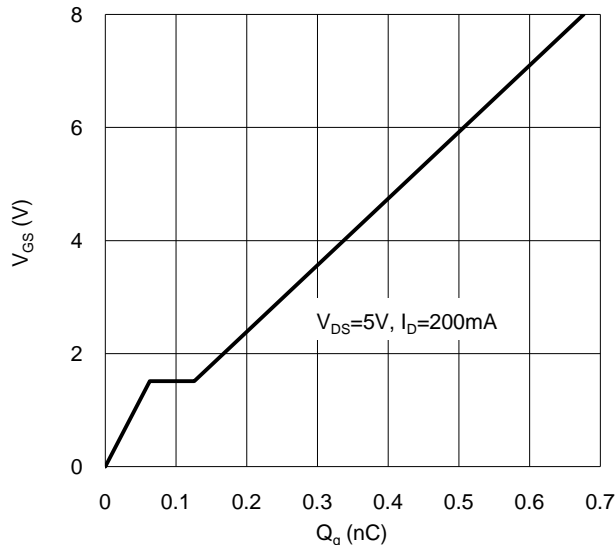


Figure 11. Gate Charge

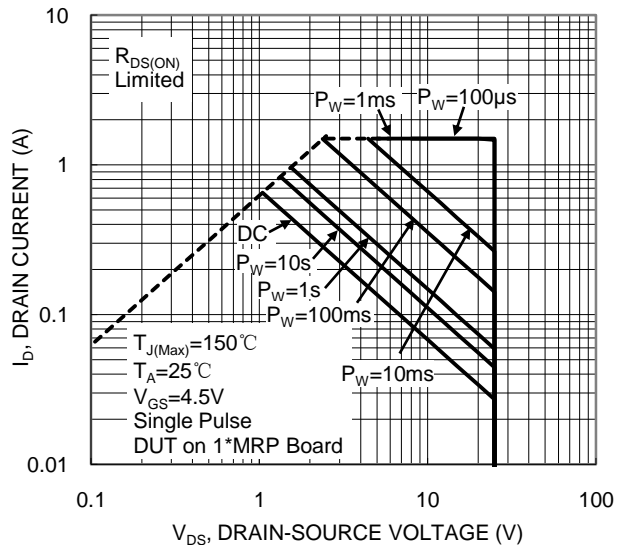


Figure 12. SOA, Safe Operation Area

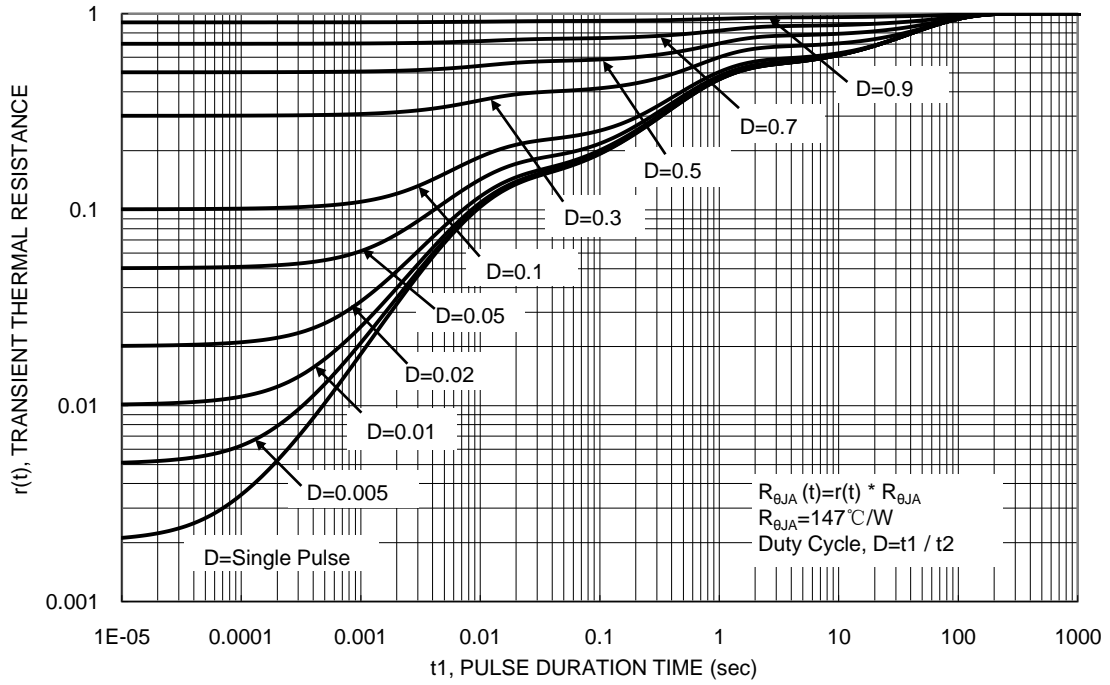


Figure 13. Transient Thermal Resistance

Typical Characteristics - P-CHANNEL

NEW PRODUCT

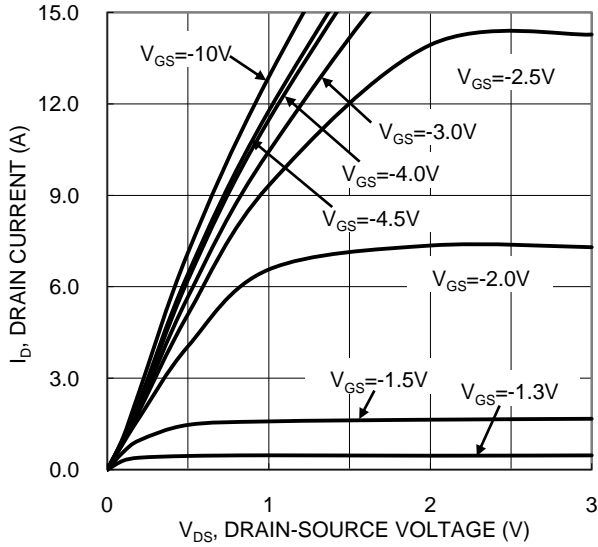


Figure 14. Typical Output Characteristic

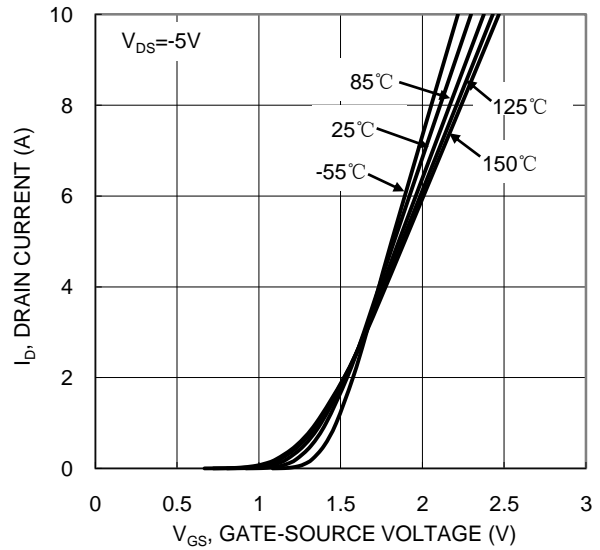


Figure 15. Typical Transfer Characteristic

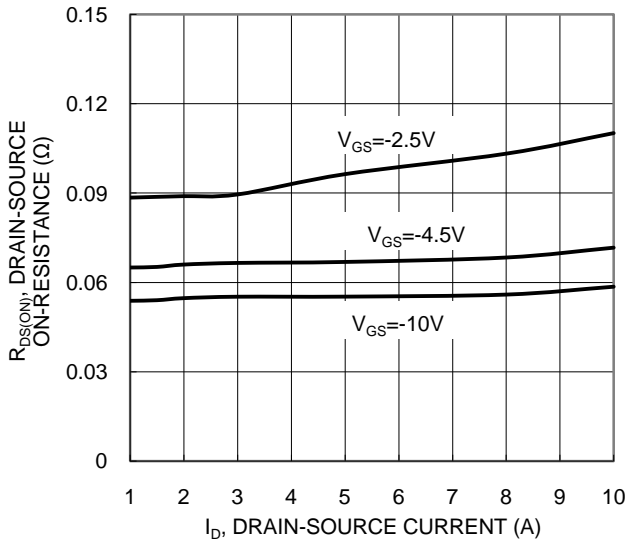


Figure 16. Typical On-Resistance vs Drain Current and Gate Voltage

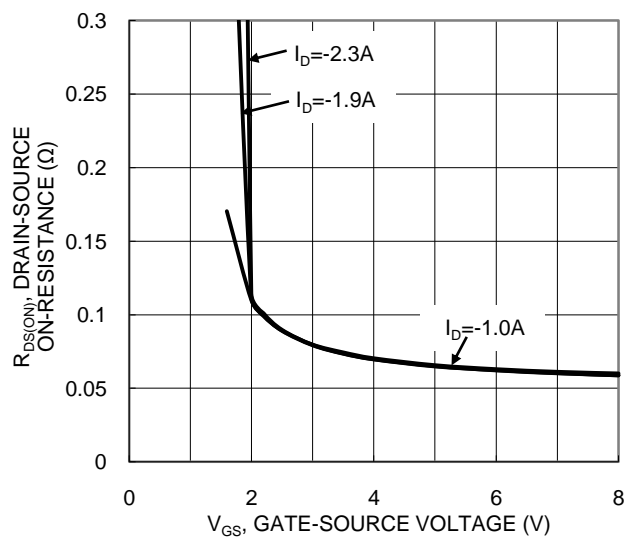


Figure 17. Typical Transfer Characteristic

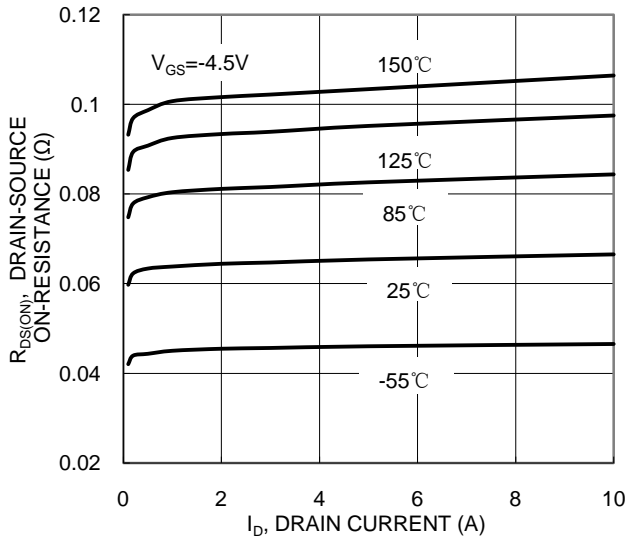


Figure 18. Typical On-Resistance vs Drain Current and Temperature

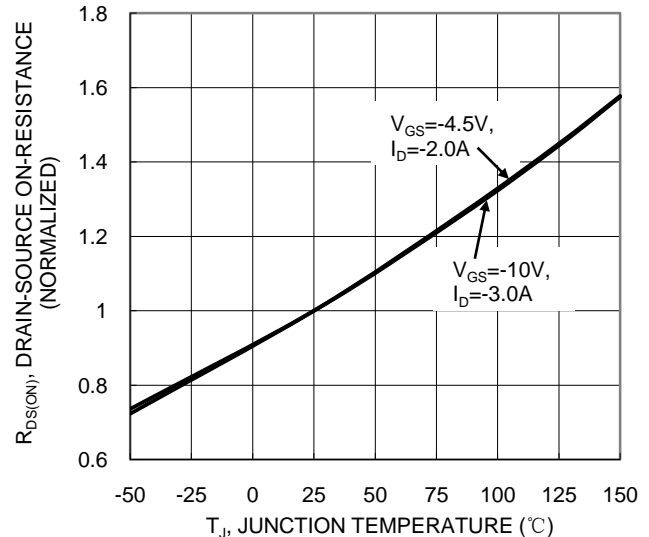


Figure 19. On-Resistance Variation with Temperature

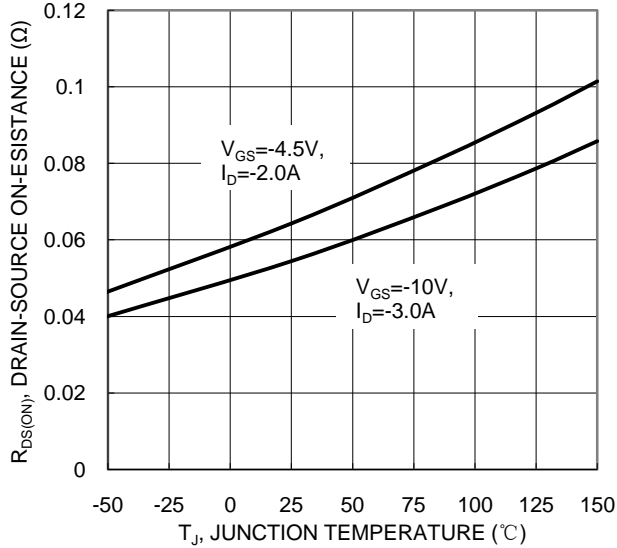


Figure 20. On-Resistance Variation with Temperature

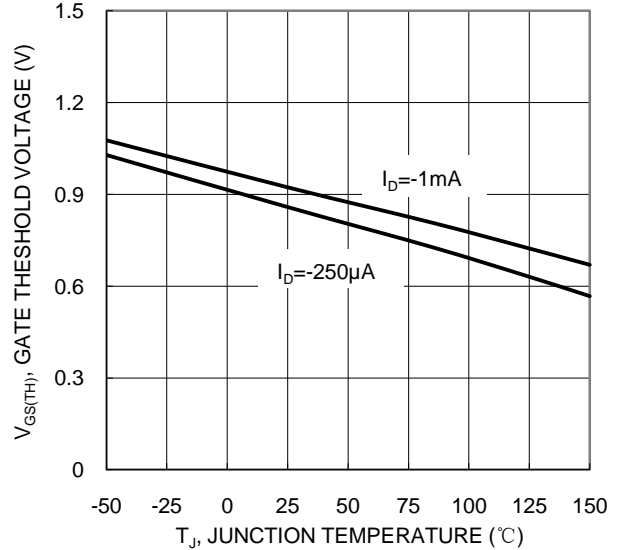


Figure 21. Gate Threshold Variation vs Junction Temperature

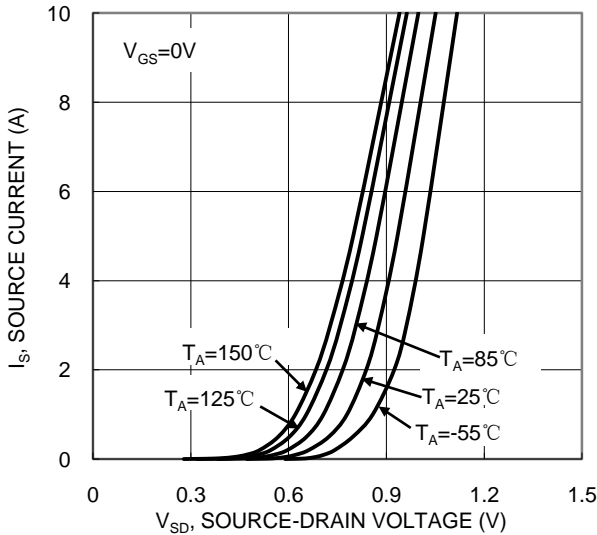


Figure 22. Diode Forward Voltage vs Current

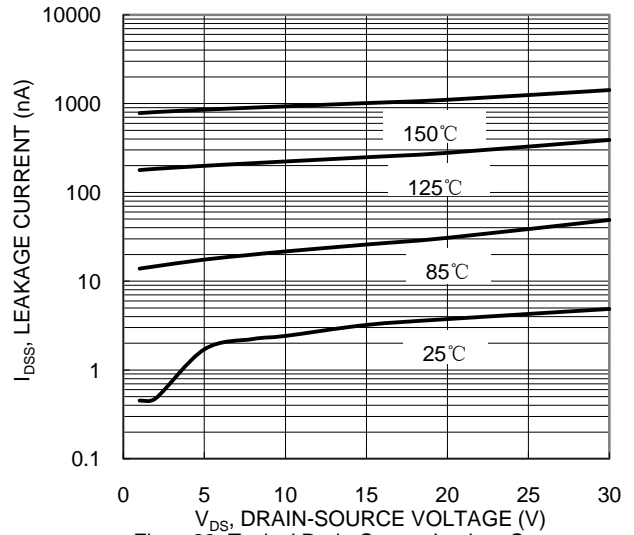


Figure 23. Typical Drain-Source Leakage Current vs Voltage

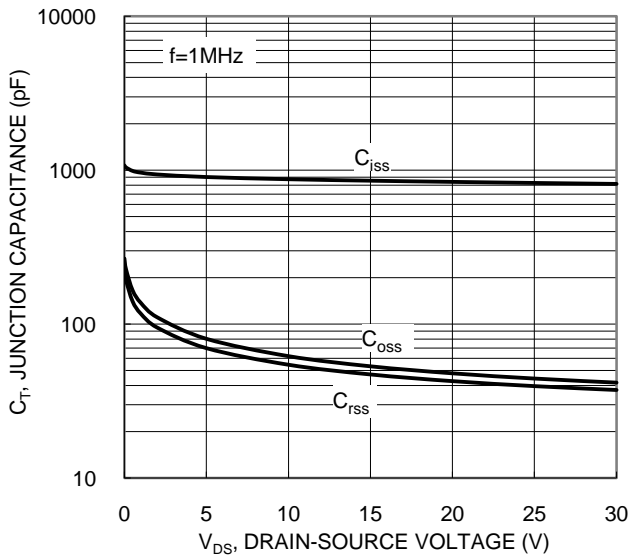


Figure 24. Typical Junction Capacitance

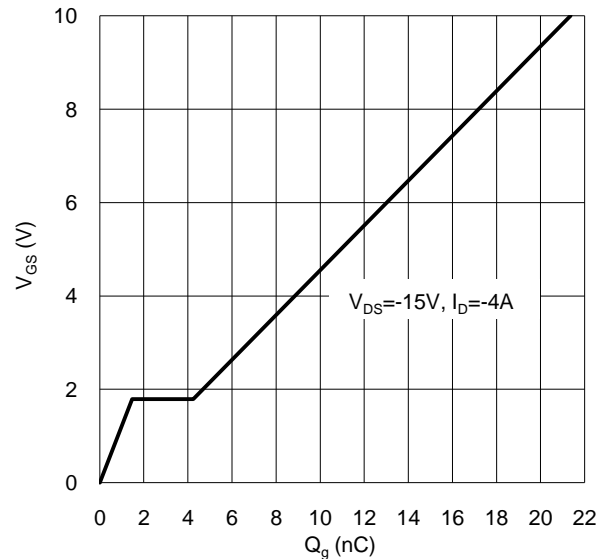


Figure 25. Gate Charge

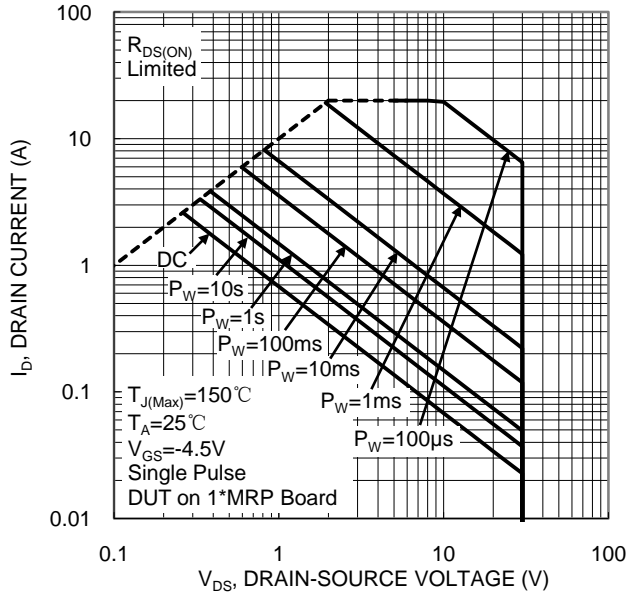
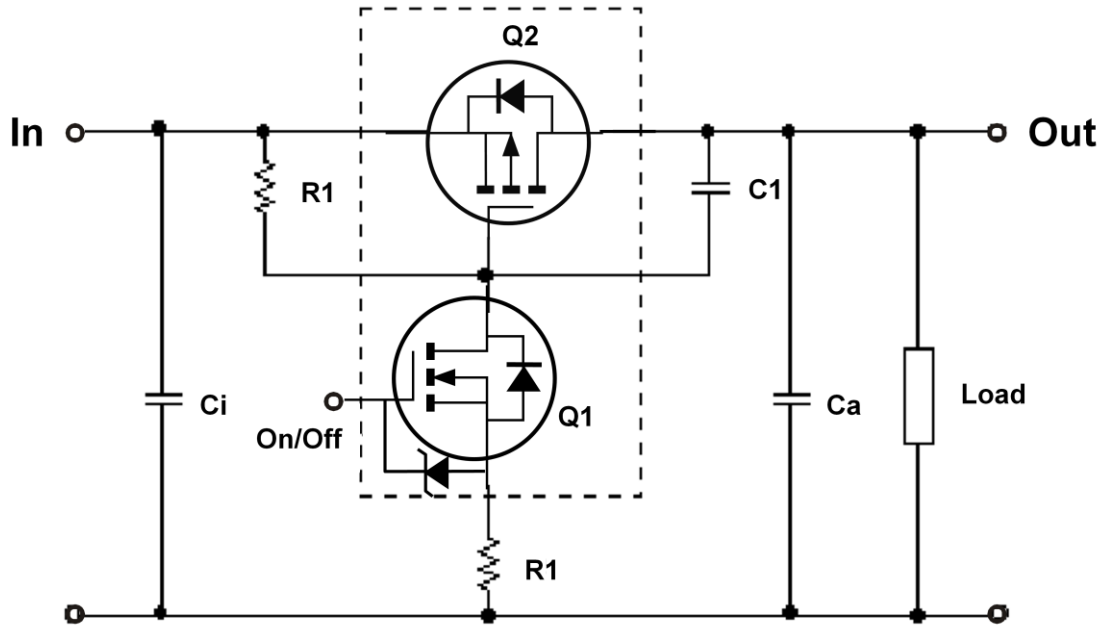


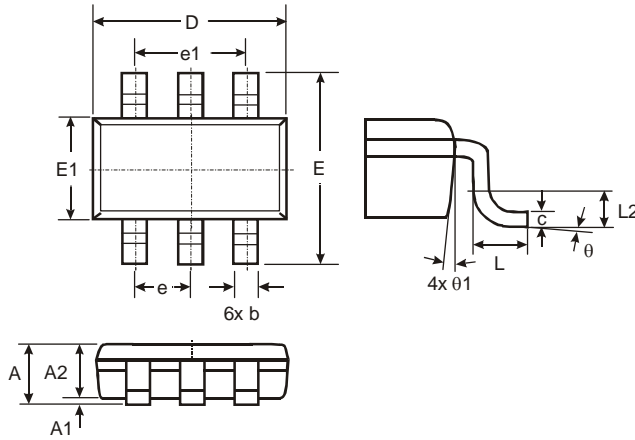
Figure 26. SOA, Safe Operation Area

Application Circuit



Package Outline Dimensions

Please see AP02002 at <http://www.diodes.com/datasheets/ap02002.pdf> for the latest version.

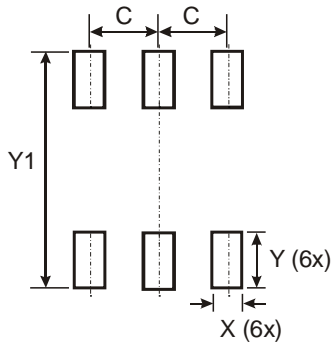


| TSOT26 | | | |
|-----------------------------|------|------|------|
| Dim | Min | Max | Typ |
| A | - | 1.00 | - |
| A1 | 0.01 | 0.10 | - |
| A2 | 0.84 | 0.90 | - |
| D | - | - | 2.90 |
| E | - | - | 2.80 |
| E1 | - | - | 1.60 |
| b | 0.30 | 0.45 | - |
| c | 0.12 | 0.20 | - |
| e | - | - | 0.95 |
| e1 | - | - | 1.90 |
| L | 0.30 | 0.50 | - |
| L2 | - | - | 0.25 |
| θ | 0° | 8° | 4° |
| θ1 | 4° | 12° | - |
| All Dimensions in mm | | | |

NEW PRODUCT

Suggested Pad Layout

Please see AP02001 at <http://www.diodes.com/datasheets/ap02001.pdf> for the latest version.



| Dimensions | Value (in mm) |
|------------|---------------|
| C | 0.950 |
| X | 0.700 |
| Y | 1.000 |
| Y1 | 3.199 |

IMPORTANT NOTICE

DIODES INCORPORATED MAKES NO WARRANTY OF ANY KIND, EXPRESS OR IMPLIED, WITH REGARDS TO THIS DOCUMENT, INCLUDING, BUT NOT LIMITED TO, THE IMPLIED WARRANTIES OF MERCHANTABILITY AND FITNESS FOR A PARTICULAR PURPOSE (AND THEIR EQUIVALENTS UNDER THE LAWS OF ANY JURISDICTION).

Diodes Incorporated and its subsidiaries reserve the right to make modifications, enhancements, improvements, corrections or other changes without further notice to this document and any product described herein. Diodes Incorporated does not assume any liability arising out of the application or use of this document or any product described herein; neither does Diodes Incorporated convey any license under its patent or trademark rights, nor the rights of others. Any Customer or user of this document or products described herein in such applications shall assume all risks of such use and will agree to hold Diodes Incorporated and all the companies whose products are represented on Diodes Incorporated website, harmless against all damages.

Diodes Incorporated does not warrant or accept any liability whatsoever in respect of any products purchased through unauthorized sales channel. Should Customers purchase or use Diodes Incorporated products for any unintended or unauthorized application, Customers shall indemnify and hold Diodes Incorporated and its representatives harmless against all claims, damages, expenses, and attorney fees arising out of, directly or indirectly, any claim of personal injury or death associated with such unintended or unauthorized application.

Products described herein may be covered by one or more United States, international or foreign patents pending. Product names and markings noted herein may also be covered by one or more United States, international or foreign trademarks.

This document is written in English but may be translated into multiple languages for reference. Only the English version of this document is the final and determinative format released by Diodes Incorporated.

LIFE SUPPORT

Diodes Incorporated products are specifically not authorized for use as critical components in life support devices or systems without the express written approval of the Chief Executive Officer of Diodes Incorporated. As used herein:

A. Life support devices or systems are devices or systems which:

1. are intended to implant into the body, or
2. support or sustain life and whose failure to perform when properly used in accordance with instructions for use provided in the labeling can be reasonably expected to result in significant injury to the user.

B. A critical component is any component in a life support device or system whose failure to perform can be reasonably expected to cause the failure of the life support device or to affect its safety or effectiveness.

Customers represent that they have all necessary expertise in the safety and regulatory ramifications of their life support devices or systems, and acknowledge and agree that they are solely responsible for all legal, regulatory and safety-related requirements concerning their products and any use of Diodes Incorporated products in such safety-critical, life support devices or systems, notwithstanding any devices- or systems-related information or support that may be provided by Diodes Incorporated. Further, Customers must fully indemnify Diodes Incorporated and its representatives against any damages arising out of the use of Diodes Incorporated products in such safety-critical, life support devices or systems.

Copyright © 2015, Diodes Incorporated

www.diodes.com

Mouser Electronics

Authorized Distributor

Click to View Pricing, Inventory, Delivery & Lifecycle Information:

[Diodes Incorporated:](#)

[DMC25D0UVT-7](#) [DMC25D0UVT-13](#)