

Product Summary

$V_{(BR)DSS}$	$R_{DS(ON)}$	I_D $T_A = +25^\circ\text{C}$
250V	8.5Ω @ $V_{GS} = 10\text{V}$	240mA

Description

This new generation MOSFET is designed to minimize the on-state resistance ($R_{DS(ON)}$) and yet maintain superior switching performance, making it ideal for high efficiency power management applications.

Applications

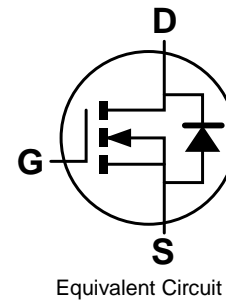
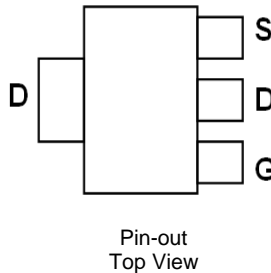
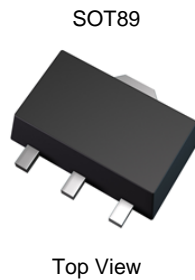
- Power Management Functions
- Battery Operated Systems and Solid-State Relays
- Drivers: Relays, Solenoids, Lamps, Hammers, Displays, Memories, Transistors, etc

Features

- Low Gate Threshold Voltage
- Low Input Capacitance
- Fast Switching Speed
- **Lead-Free Finish; RoHS Compliant (Notes 1 & 2)**
- **Halogen and Antimony Free. "Green" Device (Note 3)**

Mechanical Data

- Case: SOT89
- Case Material: Molded Plastic, "Green" Molding Compound. UL Flammability Classification Rating 94V-0
- Moisture Sensitivity: Level 1 per J-STD-020
- Terminals: Finish – Matte Tin Finish Annealed over Copper Lead frame. Solderable per MIL-STD-202, Method 208 (3)
- Weight: 0.052 grams (Approximate)

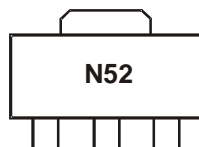


Ordering Information (Note 4)

Part Number	Compliance	Case	Quantity per Reel
ZVN4525ZTA	Standard	SOT89	1,000

- Notes:
1. EU Directive 2002/95/EC (RoHS) & 2011/65/EU (RoHS 2) compliant. All applicable RoHS exemptions applied.
 2. See http://www.diodes.com/quality/lead_free.html for more information about Diodes Incorporated's definitions of Halogen- and Antimony-free, "Green" and Lead-free.
 3. Halogen- and Antimony-free "Green" products are defined as those which contain <900ppm bromine, <900ppm chlorine (<1500ppm total Br + Cl) and <1000ppm antimony compounds.
 4. For packaging details, go to our website at <http://www.diodes.com/products/packages.html>.

Marking Information



N52 = Marking Code

Maximum Ratings (@T_A = +25°C, unless otherwise specified.)

Characteristic			Symbol	Value	Unit
Drain-Source Voltage			V _{DSS}	250	V
Gate-Source Voltage			V _{GSS}	±40	V
Continuous Drain Current, V _{GS} = 10V	Steady State	T _A = +25°C (Note 5)	I _D	240	mA
		T _A = +70°C (Note 5)		192	
Maximum Body Diode Forward Current			I _S	1.1	A
Pulsed Drain Current (Note 7)			I _{DM}	1.44	A
Pulsed Source Current (Note 7)			I _{SM}	1.44	A

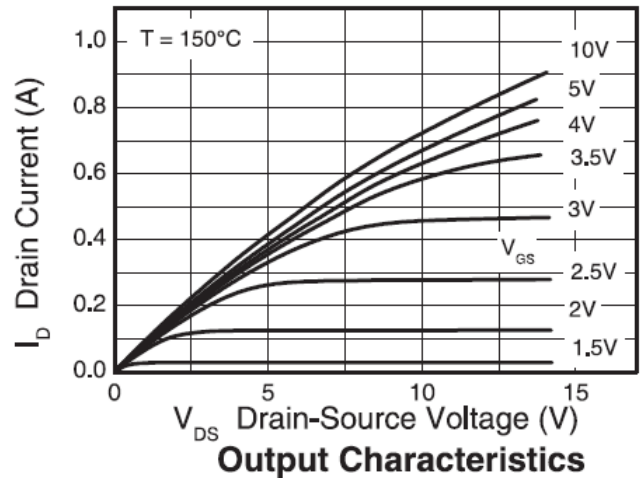
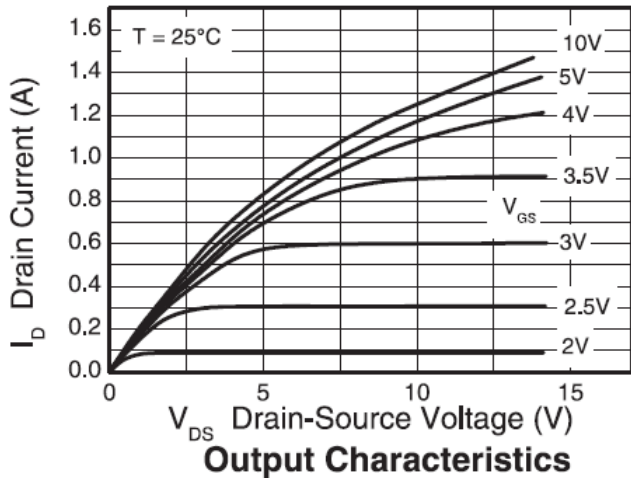
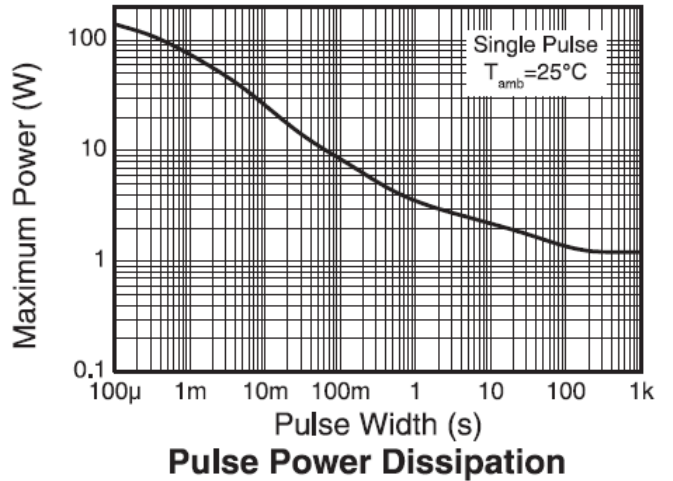
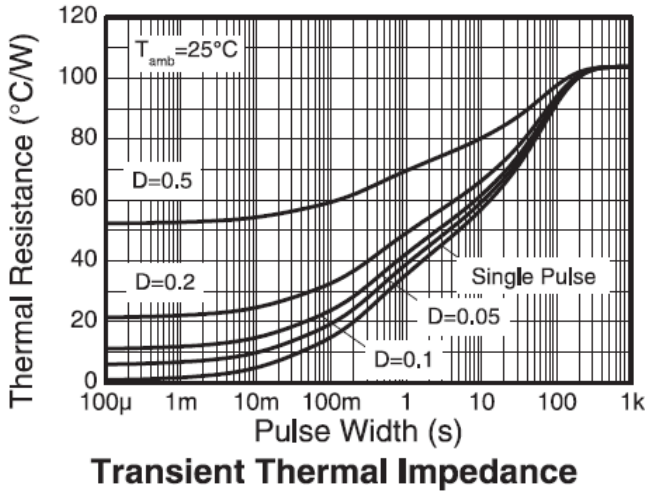
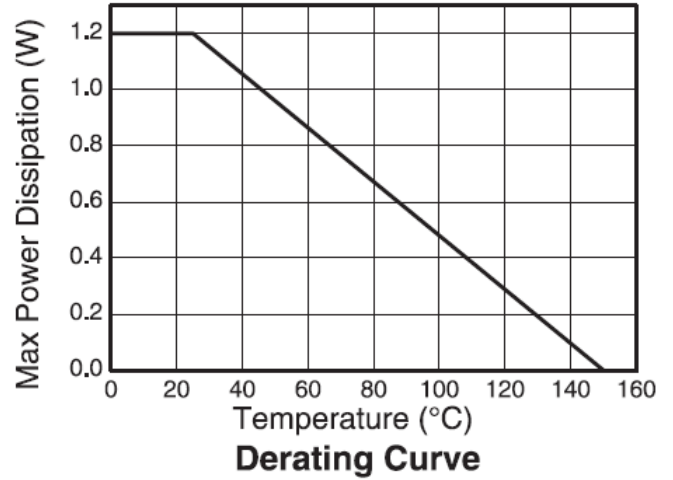
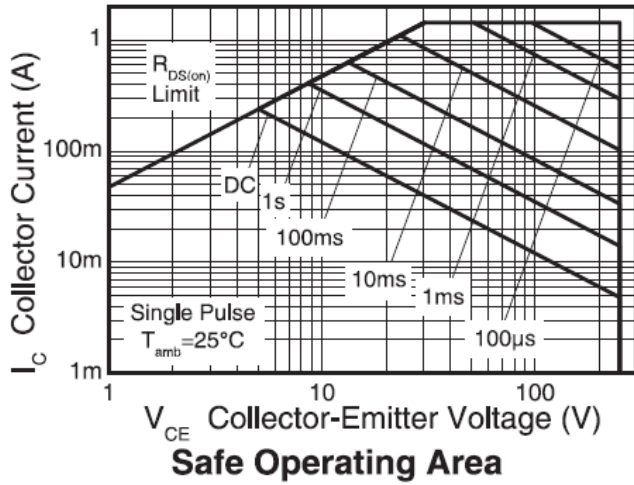
Thermal Characteristics

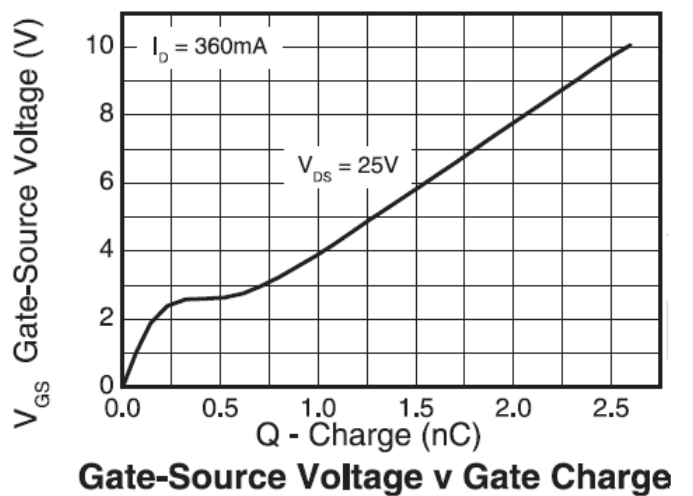
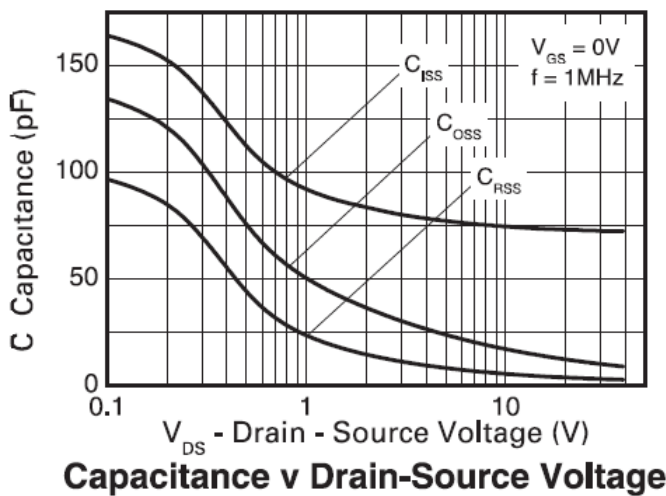
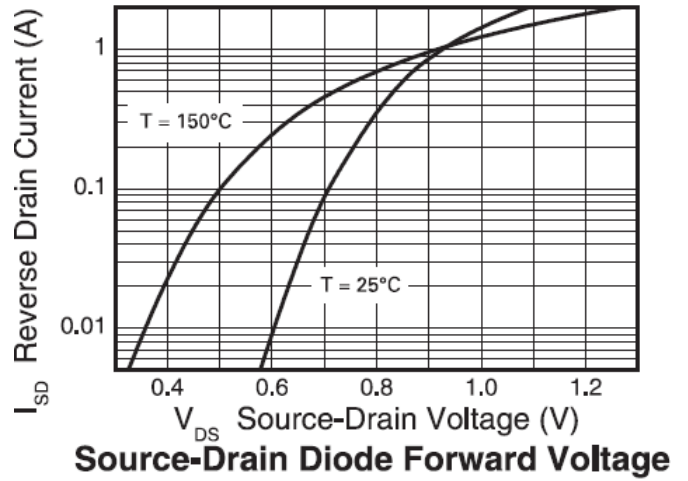
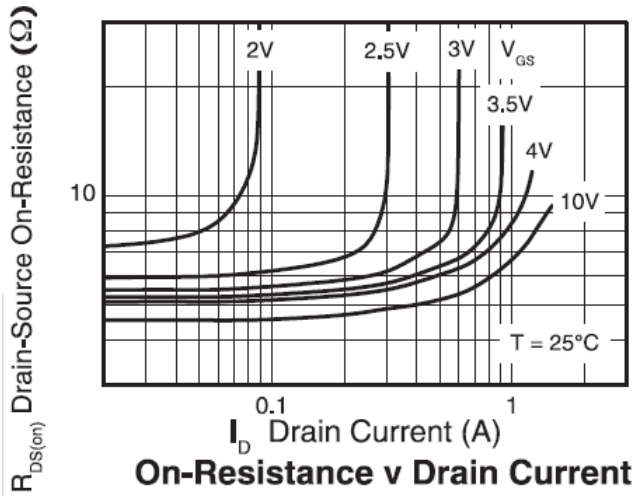
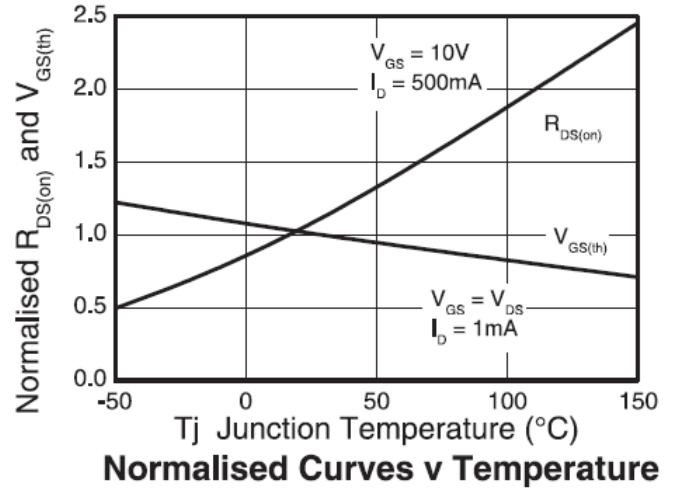
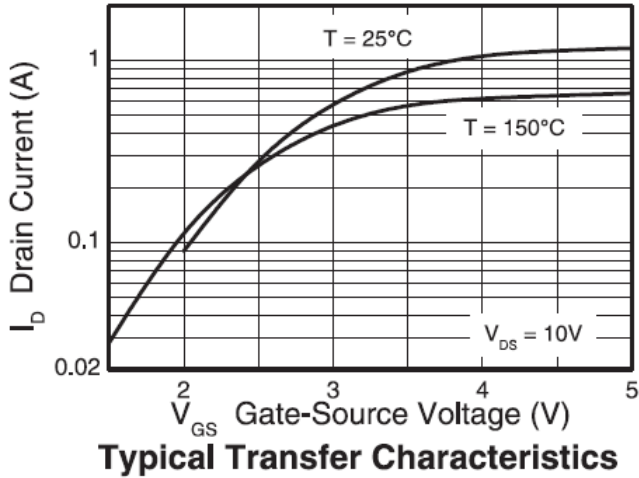
Characteristic		Symbol	Value	Unit
Total Power Dissipation	T _A = +25°C (Note 5)	P _D	1.2	W
Linear Derating Factor			9.6	mW/°C
Thermal Resistance, Junction to Ambient	Steady State (Note 5)	R _{θJA}	103	°C/W
			Steady State (Note 6)	50
Operating and Storage Temperature Range		T _J , T _{STG}	-55 to +150	°C

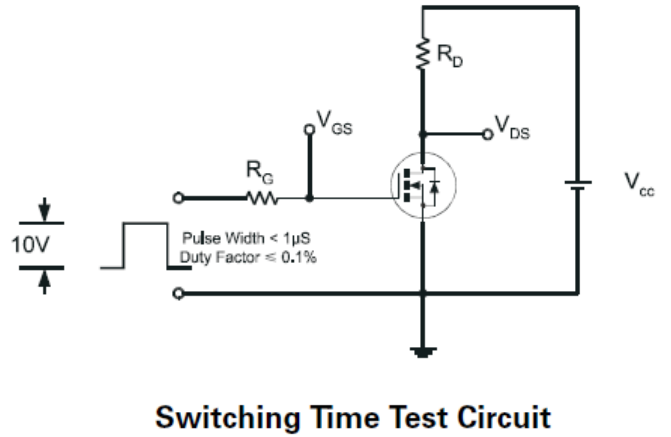
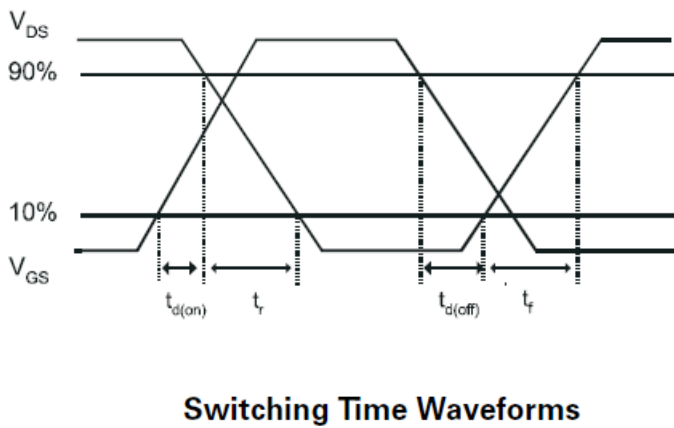
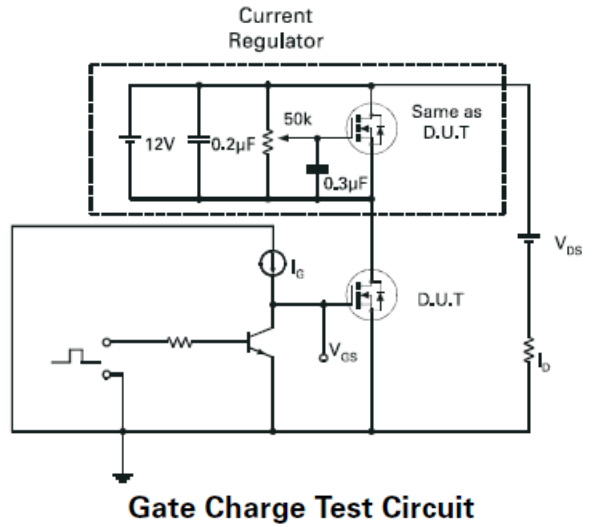
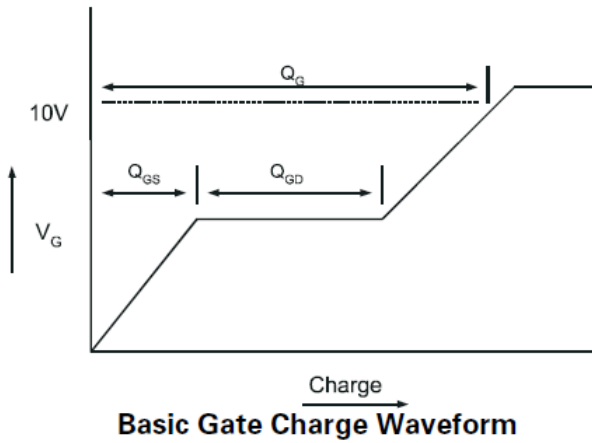
Electrical Characteristics (@T_A = +25°C, unless otherwise specified.)

Characteristic	Symbol	Min	Typ	Max	Unit	Test Condition
OFF CHARACTERISTICS (Note 9)						
Drain-Source Breakdown Voltage	BV _{DSS}	250	285	—	V	V _{GS} = 0V, I _D = 1mA
Zero Gate Voltage Drain Current	I _{DSS}	—	35	500	nA	V _{DS} = 250V, V _{GS} = 0V
Gate-Source Leakage	I _{GSS}	—	±1	±100	nA	V _{GS} = ±40V, V _{DS} = 0V
ON CHARACTERISTICS (Note 9)						
Gate Threshold Voltage	V _{GS(TH)}	0.8	1.4	1.8	V	V _{DS} = V _{GS} , I _D = 1mA
Static Drain-Source On-Resistance (Note 8)	R _{DS(ON)}	—	5.6	8.5	Ω	V _{GS} = 10V, I _D = 500mA
		—	5.9	9.0		V _{GS} = 4.5V, I _D = 360mA
		—	6.4	9.5		V _{GS} = 2.4V, I _D = 20mA
		—	—	—		—
Diode Forward Voltage (Note 8)	V _{SD}	—	—	0.97	V	V _{GS} = 0V, I _S = 360mA
Forward Transconductance (Note 10)	g _{fs}	0.3	475	—	S	V _{DS} = 10V, I _D = 0.3A
DYNAMIC CHARACTERISTICS (Note 10)						
Input Capacitance	C _{iss}	—	72	—	pF	V _{DS} = 25V, V _{GS} = 0V f = 1.0MHz
Output Capacitance	C _{oss}	—	11	—		
Reverse Transfer Capacitance	C _{rss}	—	3.6	—		
Total Gate Charge	Q _g	—	2.6	3.65	nC	V _{DS} = 25V, I _D = 360mA, V _{GS} = 10V
Gate-Source Charge	Q _{gs}	—	0.2	0.28		
Gate-Drain Charge	Q _{gd}	—	0.5	0.70		
Turn-On Delay Time	t _{D(ON)}	—	1.25	—	ns	V _{DD} = 50V, R _G = 6.0Ω, I _D = 200mA, R _D = 4.4Ω
Turn-On Rise Time	t _R	—	1.70	—		
Turn-Off Delay Time	t _{D(OFF)}	—	11.40	—		
Turn-Off Fall Time	t _F	—	3.50	—		
Body Diode Reverse Recovery Time	t _{RR}	—	186	260	ns	I _F = 360mA, dI/dt = 100A/μs
Body Diode Reverse Recovery Charge	Q _{RR}	—	34	48	nC	

- Notes:
5. For a device surface mounted on 25mm X 25mm FR-4 PCB with high coverage of single sided 1oz copper, in still air condition.
 6. For a device surface mounted on FR4 PCB measured at t ≤ 5 secs.
 7. Repetitive rating - pulse width limited by maximum junction temperature. Refer to Transient Thermal.
 8. Measured under pulsed conditions. Width=300μs. Duty cycle ≤ 2%.
 9. Short duration pulse test used to minimize self-heating effect.
 10. Guaranteed by design. Not subject to product testing.

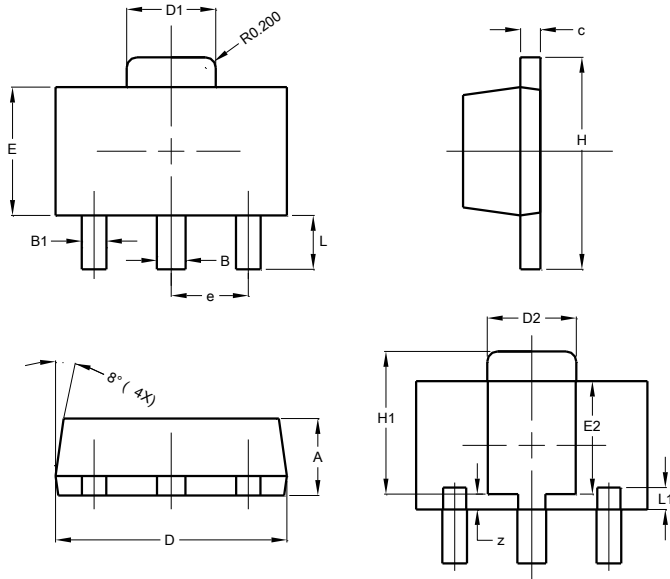






Package Outline Dimensions

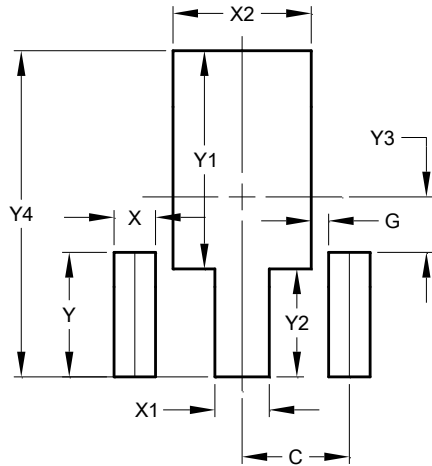
Please see AP02002 at <http://www.diodes.com/datasheets/ap02002.pdf> for the latest version.



SOT89			
Dim	Min	Max	Typ
A	1.40	1.60	1.50
B	0.50	0.62	0.56
B1	0.42	0.54	0.48
c	0.35	0.43	0.38
D	4.40	4.60	4.50
D1	1.62	1.83	1.733
D2	1.61	1.81	1.71
E	2.40	2.60	2.50
E2	2.05	2.35	2.20
e	-	-	1.50
H	3.95	4.25	4.10
H1	2.63	2.93	2.78
L	0.90	1.20	1.05
L1	0.427 REF		
Z	0.30 REF		
All Dimensions in mm			

Suggested Pad Layout

Please see AP02001 at <http://www.diodes.com/datasheets/ap02001.pdf> for the latest version.



Dimensions	Value (in mm)
C	1.500
G	0.244
X	0.580
X1	0.760
X2	1.933
Y	1.730
Y1	3.030
Y2	1.500
Y3	0.770
Y4	4.530

IMPORTANT NOTICE

DIODES INCORPORATED MAKES NO WARRANTY OF ANY KIND, EXPRESS OR IMPLIED, WITH REGARDS TO THIS DOCUMENT, INCLUDING, BUT NOT LIMITED TO, THE IMPLIED WARRANTIES OF MERCHANTABILITY AND FITNESS FOR A PARTICULAR PURPOSE (AND THEIR EQUIVALENTS UNDER THE LAWS OF ANY JURISDICTION).

Diodes Incorporated and its subsidiaries reserve the right to make modifications, enhancements, improvements, corrections or other changes without further notice to this document and any product described herein. Diodes Incorporated does not assume any liability arising out of the application or use of this document or any product described herein; neither does Diodes Incorporated convey any license under its patent or trademark rights, nor the rights of others. Any Customer or user of this document or products described herein in such applications shall assume all risks of such use and will agree to hold Diodes Incorporated and all the companies whose products are represented on Diodes Incorporated website, harmless against all damages.

Diodes Incorporated does not warrant or accept any liability whatsoever in respect of any products purchased through unauthorized sales channel. Should Customers purchase or use Diodes Incorporated products for any unintended or unauthorized application, Customers shall indemnify and hold Diodes Incorporated and its representatives harmless against all claims, damages, expenses, and attorney fees arising out of, directly or indirectly, any claim of personal injury or death associated with such unintended or unauthorized application.

Products described herein may be covered by one or more United States, international or foreign patents pending. Product names and markings noted herein may also be covered by one or more United States, international or foreign trademarks.

This document is written in English but may be translated into multiple languages for reference. Only the English version of this document is the final and determinative format released by Diodes Incorporated.

LIFE SUPPORT

Diodes Incorporated products are specifically not authorized for use as critical components in life support devices or systems without the express written approval of the Chief Executive Officer of Diodes Incorporated. As used herein:

A. Life support devices or systems are devices or systems which:

1. are intended to implant into the body, or
2. support or sustain life and whose failure to perform when properly used in accordance with instructions for use provided in the labeling can be reasonably expected to result in significant injury to the user.

B. A critical component is any component in a life support device or system whose failure to perform can be reasonably expected to cause the failure of the life support device or to affect its safety or effectiveness.

Customers represent that they have all necessary expertise in the safety and regulatory ramifications of their life support devices or systems, and acknowledge and agree that they are solely responsible for all legal, regulatory and safety-related requirements concerning their products and any use of Diodes Incorporated products in such safety-critical, life support devices or systems, notwithstanding any devices- or systems-related information or support that may be provided by Diodes Incorporated. Further, Customers must fully indemnify Diodes Incorporated and its representatives against any damages arising out of the use of Diodes Incorporated products in such safety-critical, life support devices or systems.

Copyright © 2015, Diodes Incorporated

www.diodes.com

Mouser Electronics

Authorized Distributor

Click to View Pricing, Inventory, Delivery & Lifecycle Information:

[Diodes Incorporated:](#)

[ZVN4525ZTA](#)