

REAL TIME CLOCK MODULE (I²C-Bus)

High-Stability Frequency with Built in Timestamp and Power Switching



Product Number (Please contact us)
RX-8035SA: X1B000172xxxx00
RX-8035LC: X1B000182xxxx00

RX-8035 SA/LC

- Built-in 32.768 kHz crystal unit : Frequency adjusted for high accuracy. ($\pm 5 \times 10^{-6} / T_a = +25^\circ\text{C}$)
- Interface Type : I²C-Bus Interface (400kHz)
- Operating voltage range : 2.4 V to 5.5 V
- Timekeeping voltage range : 1.0 V to 5.5 V
- Low backup current : 350 nA (SA) 400 nA (LC) / 3 V (Typ.)
- Event detection and Time stamp : One-shot full timestamp and interrupt.
- Dual event detection ports : Each terminal has a de-bounce circuit.
- Auto power switching functions : When V_{DD} deteriorates than 2.4V, internal source is switched to V_{BAT}.

The I²C-Bus is a trademark of NXP Semiconductors



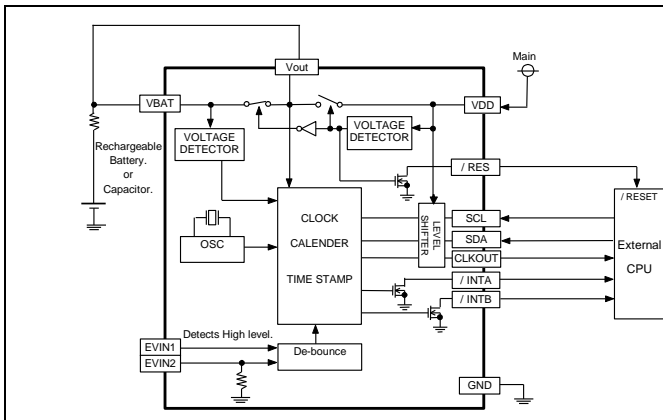
Actual size

RX-8035SA

RX-8035LC



Block diagram



Overview

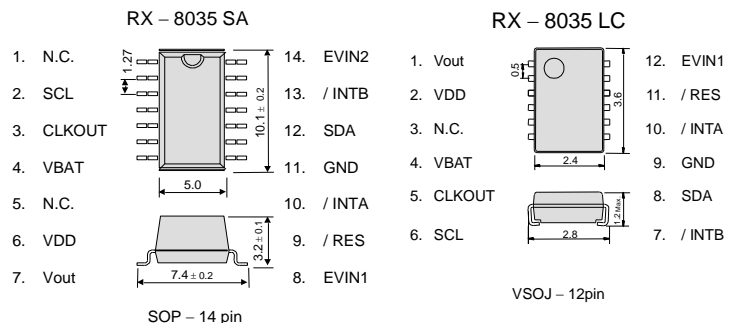
- **The event detection and Timestamp function**
 Dual event detection terminals.
 Selectable de-bounce period 35ms or 2s.
 Available event detection interrupt output.
- **Power switching functions.**
 - When V_{DD} is less than 2.4V, an internal source is switched to V_{BAT}, and /RES is Low level. When V_{DD} voltage rises to higher than 2.52V, an internal source is switched to V_{DD}, and /RES is released with 105ms delay.
 - Note: When the supply from V_{BAT}, SCL and SDA are disabled.
- **Alarm, Periodic interrupt, 32.768kHz clock output.**
 - Available monthly-alarm and weekly-alarm.
 - Interrupt period are selectable from 2Hz to Monthly.
 - CLKOUT outputs 32.768kHz clock powered by V_{DD}.

Pin function

Signal Name	Input / Output	Function
SCL	Input	I ² C serial clock.
SDA	In/Out	I ² C data in/out.
V _{DD}	—	Main power supply.
V _{BAT}	—	Power supply for backup.
V _{out}	Output	Switched power out. (maximum output current 20mA)
/RES	Output	V _{DD} voltage state.
GND	—	Ground
EVIN1	Input	Event detection input 1
EVIN2	Input	Event detection input 2
/INTA	Output	Interrupt out A.
/INTB	Output	Interrupt out B.
CLKOUT	Output	32.768kHz output. (CMOS. Can not inhibit.)
N.C.	—	Do not connect.

Terminal connection / External dimensions

(Unit:mm)



The metal case inside of the molding compound may be exposed on the top or bottom of this product. This purely cosmetic and does not have any effect on quality, reliability or electrical specs.

*Stop using the glue

Any glue must never use it after soldering LC-package to a circuit board. This product has glass on the back side of a package. When glue invasions between circuit board side and glass side, then glass cracks by thermal expansion of glue. In this case a crystal oscillation stops. Consider glue abolition or glue do not touch to LC-package

Specifications (characteristics)

* Refer to application manual for details.

Recommended Operating Conditions

Item	Symbol	Conditions	Min.	Typ.	Max.	Unit
Operating voltage	V _{ACCESS}	V _{DD}	2.4	3.0	5.5	V
Time keeping voltage	V _{CLK}	V _{BAT}	1.0	3.0	5.5	V
Operating temperature	T _{OPR}	—	-40	+25	+85	°C
Storage temperature	T _{STG}	—	-55	—	+125	°C

Frequency characteristics

Item	Symbol	Conditions	Rating	Unit
Frequency tolerance	$\Delta f / f$	T _a = +25°C V _{BAT} = 3.0 V	B: 5 ± 23 ^{*1} AA: 5 ± 5 ^{*2} AC: 0 ± 5 ^{*2}	× 10 ⁻⁶
Oscillation start-up time	t _{STA}	T _a = +25°C V _{DD} = 3.0 V	1 Max.	s
Frequency / voltage characteristics	f / V	T _a = +25°C V _{DD} = 2.4 V to 5.5 V	± 1 Max.	× 10 ⁻⁶

*1) Equivalent to 1 minute of monthly deviation (excluding offset).
 *2) Equivalent to 13 seconds of monthly deviation (excluding offset).

Current consumption characteristics

T_a = -40 °C to +85 °C

Item	Symbol	Conditions	Min.	Typ.	Max.	Unit
Current Consumption	I _{BAT}	RX-8035SA V _{BAT} = 3.0V, V _{DD} = 0.0V SCL=SDA = GND	-	350	1200	nA
		RX-8035LC V _{BAT} = 3.0V, V _{DD} = 0.0V SCL=SDA = GND	-	400	-	-
	I _{DD}	V _{DD} = 3.0V SCL=SDA = GND CLKOUT = open	-	1.40	2.50	μA

Power supply detection voltage

T_a = -40 °C to +85 °C

Item	Symbol	Conditions	Min.	Typ.	Max.	Unit
V _{BAT} detect voltage	V _{LOW}	-	1.10	1.25	1.40	V
Power switching voltage (V _{DD} to V _{BAT})	V _{D2B}	+25 °C	2.328	2.40	2.472	V

Mouser Electronics

Authorized Distributor

Click to View Pricing, Inventory, Delivery & Lifecycle Information:

[Epson:](#)

[RX-8035SA:B0](#) [RX-8035SA:B3 PURE SN](#) [RX-8035LC:B0](#) [RX-8035SA:AA3](#) [RX-8035LC:AA0](#) [RX-8035SA:AA0](#) [RX-8035LC:AA3](#) [RX-8035LC:B3 PURE SN](#)