



Is Now Part of



ON Semiconductor®

To learn more about ON Semiconductor, please visit our website at
www.onsemi.com

ON Semiconductor and the ON Semiconductor logo are trademarks of Semiconductor Components Industries, LLC dba ON Semiconductor or its subsidiaries in the United States and/or other countries. ON Semiconductor owns the rights to a number of patents, trademarks, copyrights, trade secrets, and other intellectual property. A listing of ON Semiconductor's product/patent coverage may be accessed at www.onsemi.com/site/pdf/Patent-Marking.pdf. ON Semiconductor reserves the right to make changes without further notice to any products herein. ON Semiconductor makes no warranty, representation or guarantee regarding the suitability of its products for any particular purpose, nor does ON Semiconductor assume any liability arising out of the application or use of any product or circuit, and specifically disclaims any and all liability, including without limitation special, consequential or incidental damages. Buyer is responsible for its products and applications using ON Semiconductor products, including compliance with all laws, regulations and safety requirements or standards, regardless of any support or applications information provided by ON Semiconductor. "Typical" parameters which may be provided in ON Semiconductor data sheets and/or specifications can and do vary in different applications and actual performance may vary over time. All operating parameters, including "Typicals" must be validated for each customer application by customer's technical experts. ON Semiconductor does not convey any license under its patent rights nor the rights of others. ON Semiconductor products are not designed, intended, or authorized for use as a critical component in life support systems or any FDA Class 3 medical devices or medical devices with a same or similar classification in a foreign jurisdiction or any devices intended for implantation in the human body. Should Buyer purchase or use ON Semiconductor products for any such unintended or unauthorized application, Buyer shall indemnify and hold ON Semiconductor and its officers, employees, subsidiaries, affiliates, and distributors harmless against all claims, costs, damages, and expenses, and reasonable attorney fees arising out of, directly or indirectly, any claim of personal injury or death associated with such unintended or unauthorized use, even if such claim alleges that ON Semiconductor was negligent regarding the design or manufacture of the part. ON Semiconductor is an Equal Opportunity/Affirmative Action Employer. This literature is subject to all applicable copyright laws and is not for resale in any manner.

FSA2258 Low-Voltage, Dual-SPDT (0.8Ω) Analog Switch with 16kV ESD

Features

- 0.8Ω Typical On Resistance (R_{ON}) for +3.0V Supply
- 0.40Ω Maximum R_{ON} Flatness for +3.0V Supply
- -3db Bandwidth: > 50MHz
- Low I_{CCT} Current Over an Expanded Control Input Range
- Packaged in 10-Lead MicroPak™ (1.6 x 2.1mm)
- Power-Off Protection on Common Ports
- Broad V_{CC} Operating Range: 1.65V to 4.30V
- HBM JEDEC: JESD22-A114
 - I/O to GND: 9kV
 - Power to GND: 16kV

Applications

- Cell Phone, PDA, Digital Camera, and Notebook
- LCD Monitor, TV, and Set-Top Box

Description

The FSA2258 is a high-performance, dual, Single Pole Double Throw (SPDT) analog switch that features low R_{ON} of 0.8Ω (typical) at 3.0V V_{CC} . The FSA2258 operates over a wide V_{CC} range of 1.65V to 4.3V and is designed for break-before-make operation. The select input is TTL-level compatible.

The FSA2258 features very low quiescent current even when the control voltage is lower than the V_{CC} supply. This feature suits mobile handset applications by allowing direct interface with baseband processor general-purpose I/Os with minimal battery consumption.

IMPORTANT NOTE:

For additional information, please contact analogswitch@fairchildsemi.com.

Ordering Information

| Part Number | Top Mark | Operating Temperature Range | Package |
|-------------|----------|-----------------------------|--|
| FSA2258L10X | JS | -40 to +85°C | 10-Lead MicroPak™ 1.6 x 2.1mm, JEDEC MO-255B |

Analog Symbol

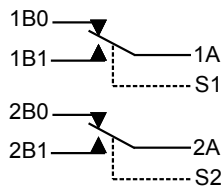


Figure 1. FSA2258

Pin Configuration

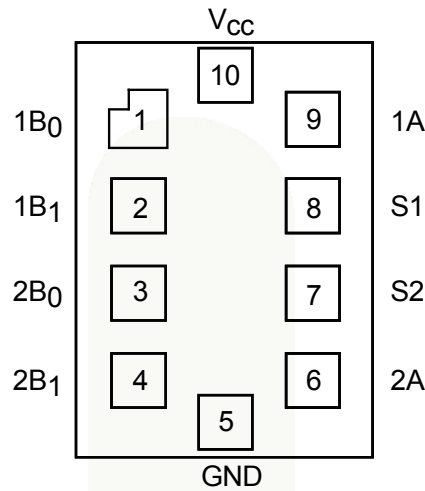


Figure 2. 10-Lead MicroPak™ (Top-Through View)

Pin Descriptions

| Pin # | Name | Description |
|-------|-----------------|--------------------|
| 1 | 1B ₀ | Data Ports |
| 2 | 1B ₁ | Data Ports |
| 3 | 2B ₀ | Data Ports |
| 4 | 2B ₁ | Data Ports |
| 5 | GND | Ground |
| 6 | 2A | Data Ports |
| 7 | S2 | Switch Select Pins |
| 8 | S1 | Switch Select Pins |
| 9 | 1A | Data Ports |
| 10 | V _{CC} | Supply Voltage |

Truth Table

| Control Input, S _n | Function |
|-------------------------------|---------------------|
| LOW Logic Level | nB0 connected to nA |
| HIGH Logic Level | nB1 connected to nA |

Absolute Maximum Ratings

Stresses exceeding the absolute maximum ratings may damage the device. The device may not function or be operable above the recommended operating conditions and stressing the parts to these levels is not recommended. In addition, extended exposure to stresses above the recommended operating conditions may affect device reliability. The absolute maximum ratings are stress ratings only.

| Symbol | Parameter | Min. | Max. | Units |
|--------------|---|----------------|----------------|-------|
| V_{CC} | Supply Voltage | -0.5 | 5.5 | V |
| V_{SW} | Switch I/O Voltage ⁽¹⁾ | -0.5 | $V_{CC} + 0.3$ | V |
| V_{IN} | Control Input Voltage ⁽¹⁾ | -0.5 | 5.5 | V |
| I_{IK} | Input Clamp Diode Current | | -50 | mA |
| I_{SW} | Switch I/O Current (Continuous) | | 350 | mA |
| I_{SWPEAK} | Peak Switch Current (Pulsed at 1ms Duration, <10% Duty Cycle) | | 500 | mA |
| T_{STG} | Storage Temperature Range | -65 | +150 | °C |
| T_J | Maximum Junction Temperature | | +150 | °C |
| T_L | Lead Temperature (Soldering, 10 seconds) | | +260 | °C |
| ESD | Human Body Model, JEDEC: JESD22-A114 | I/O to GND | 9 | kV |
| | | Power to GND | 16 | |
| | | All Other Pins | 9 | |
| | Charged Device Model, JEDEC: JESD22-C101 | 2 | | |

Note

- Input and output negative ratings may be exceeded if input and output diode current ratings are observed.

Recommended Operating Conditions

The Recommended Operating Conditions table defines the conditions for actual device operation. Recommended operating conditions are specified to ensure optimal performance to the datasheet specifications. Fairchild does not recommend exceeding them or designing to Absolute Maximum Ratings.

| Symbol | Parameter | Min. | Max. | Units |
|----------|-----------------------|------|----------|-------|
| V_{CC} | Supply Voltage | 1.65 | 4.30 | V |
| V_{IN} | Control Input Voltage | 0 | V_{CC} | V |
| V_{SW} | Switch I/O Voltage | 0 | V_{CC} | V |
| T_A | Operating Temperature | -40 | +85 | °C |

DC Electrical Characteristics

All typical values are at 25°C unless otherwise specified.

| Symbol | Parameter | Conditions | V _{CC} (V) | T _A =+25°C | | | T _A =-40 to +85°C | | Unit |
|--|--|--|---------------------|-----------------------|------|------|------------------------------|------|------|
| | | | | Min. | Typ. | Max. | Min. | Max. | |
| V _{IH} | Control Input Voltage HIGH | | 3.60 to 4.30 | | | | 1.7 | | V |
| | | | 2.70 to 3.60 | | | | 1.5 | | |
| | | | 2.30 to 2.70 | | | | 1.4 | | |
| | | | 1.65 to 1.95 | | | | 0.9 | | |
| V _{IL} | Control Input Voltage LOW | | 3.60 to 4.30 | | | | | 0.7 | V |
| | | | 2.70 to 3.60 | | | | | 0.5 | |
| | | | 2.30 to 2.70 | | | | | 0.4 | |
| | | | 1.65 to 1.95 | | | | | 0.4 | |
| I _{IN} | Control Input Leakage (S1,S2) | V _{IN} =0 to V _{CC} | 1.65 to 4.30 | | | | -0.5 | 0.5 | μA |
| I _{NO(OFF)} , I _{NC(OFF)} | Off Leakage Current of Port nB0 and nB1 | nA=0.3V, V _{CC} =0.3V nB0 or nB1=V _{CC} -0.3V, 0.3V, or Floating Figure 4 | 1.95 to 4.30 | -10 | | 10 | -50 | 50 | nA |
| I _{A(ON)} | On Leakage Current of Port nA | nA=0.3V, V _{CC} =0.3V nB0 or nB1=V _{CC} -0.3V, 0.3V, or Floating Figure 5 | 1.95 to 4.30 | -20 | | 20 | -100 | 100 | nA |
| I _{OFF} | Power-Off Leakage Current (Common Port Only 1A, 2A) | Common Port (1A, 2A), V _{IN} =0V to 4.3V, V _{CC} =0V nB0, nB1=Floating | 0 | | | | | ±1 | μA |
| R _{ON} | Switch On Resistance ^(2,5) | I _{ON} =100mA, nB0 or nB1=0.7V, 3.6V Figure 3 | 4.30 | | 0.5 | | | 1.0 | Ω |
| | | I _{ON} =100mA, nB0 or nB1=0.7V, 2.3V Figure 3 | 3.00 | | 0.8 | | | 1.2 | |
| | | I _{ON} =100mA, nB0 or nB1=0V, 0.7V, 1.6V, 2.3V Figure 3 | 2.30 | | 1.1 | | | | |
| | | I _{ON} =100mA, nB0 or nB1=0V, 0.7V, 1.65V Figure 3 | 1.65 | | 1.5 | | | | |
| ΔR _{ON} | On Resistance Matching Between Channels ^(3,5) | I _{ON} =100mA, nB0 or nB1=0.7V | 4.30 | | 0.08 | | | 0.25 | Ω |
| | | | 3.00 | | 0.20 | | | 0.25 | |
| | | | 2.30 | | 0.40 | | | | |
| | | | 1.65 | | 0.50 | | | | |
| R _{FLAT(ON)} | On Resistance Flatness ^(4,5) | I _{OUT} =100mA, nB0 or nB1=0V to V _{CC} | 4.30 | | | | | 0.4 | Ω |
| | | | 3.00 | | | | | 0.4 | |
| | | | 2.30 | | 0.9 | | | | |
| | | | 1.65 | | 1.2 | | | | |
| I _{CC} | Quiescent Supply Current | V _{IN} =0 or V _{CC} , I _{OUT} =0 | 4.30 | -100 | | 100 | -500 | 500 | nA |
| I _{CC(T)} | Increase in I _{CC} per Input | Input at 2.6V | 4.30 | | 3 | | | 7 | μA |
| | | Input at 1.8V | | | 7 | | | 15 | |

Notes:

- On resistance is determined by the voltage drop between A and B pins at the indicated current through the switch.
- ΔR_{ON}=R_{ON max} - R_{ON min} measured at identical V_{CC}, temperature, and voltage.
- Flatness is defined as the difference between the maximum and minimum value of on resistance (R_{ON}) over the specified range of conditions.
- Guaranteed by characterization, not production tested for V_{CC}=1.65 - 3.0V.

AC Electrical Characteristics

All typical value are for $V_{CC}=3.3V$ at $25^{\circ}C$ unless otherwise specified.

| Symbol | Parameter | Conditions | V_{CC} (V) | $T_A=+25^{\circ}C$ | | | $T_A=-40$ to $+85^{\circ}C$ | | Unit | Figure |
|-----------|--|---|--------------|--------------------|------|------|-----------------------------|------|------|----------------------|
| | | | | Min. | Typ. | Max. | Min. | Max. | | |
| t_{ON} | Turn-On Time | nB0 or nB1=1.5V, $R_L=50\Omega$, $C_L=35pF$ | 3.60 to 4.30 | | | 55 | | 60 | ns | Figure 6 Figure 7 |
| | | | 2.70 to 3.60 | | | 60 | | 65 | | |
| | | | 2.30 to 2.70 | | | 65 | | 70 | | |
| | | | 1.65 to 1.95 | | 70 | | | | | |
| t_{OFF} | Turn-Off Time | nB0 or nB1=1.5V, $R_L=50\Omega$, $C_L=35pF$ | 3.60 to 4.30 | | | 30 | 5 | 35 | ns | Figure 8 |
| | | | 2.70 to 3.60 | | | 35 | 5 | 40 | | |
| | | | 2.30 to 2.70 | | | 40 | 5 | 45 | | |
| | | | 1.65 to 1.95 | | 40 | | | | | |
| t_{BBM} | Break-Before-Make Time ⁽⁶⁾ | nB0 or nB1=1.5V, $R_L=50\Omega$, $C_L=35pF$ | 3.60 to 4.30 | | 15 | | 2 | | ns | Figure 8 |
| | | | 2.70 to 3.60 | | 15 | | 2 | | | |
| | | | 2.30 to 2.70 | | 15 | | 2 | | | |
| | | | 1.65 to 1.95 | | 16 | | 2 | | | |
| Q | Charge Injection ⁽⁶⁾ | $C_L=1.0nF$, $V_S=0V$, $R_S=0\Omega$ | 1.65 to 4.30 | | 25 | | | | pC | Figure 12 |
| OIRR | Off Isolation ⁽⁶⁾ | $f=100kHz$, $R_L=50\Omega$, $C_L=0pF$ | 1.65 to 4.30 | | -80 | | | | dB | Figure 10 |
| Xtalk | Crosstalk ⁽⁶⁾ | $f=100kHz$, $R_L=50\Omega$, $C_L=0pF$ | 1.65 to 4.30 | | -100 | | | | dB | Figure 11 |
| BW | -3db Bandwidth ⁽⁶⁾ | $R_L=50\Omega$, $C_L=0pF$ | 1.65 to 4.30 | | >50 | | | | MHz | Figure 9 |
| THD+N | Total Harmonic Distortion + Noise ⁽⁶⁾ | $f=20Hz$ to $20kHz$, $R_L=32\Omega$, $V_{IN}=2V_{PP}$ | 1.65 to 4.30 | | .06 | | | | % | Figure 15 |

Note:

6. Guaranteed by characterization, not production tested

Capacitance

All capacitance specifications are guaranteed by characterization and are not production tested.

| Symbol | Parameter | Conditions | V_{CC} (V) | $T_A=+25^{\circ}C$ | | | Unit | Figure |
|-----------|-------------------------------|------------|--------------|--------------------|------|------|------|-----------|
| | | | | Min. | Typ. | Max. | | |
| C_{IN} | Control Pin Input Capacitance | $f=1MHz$ | 0 | | 1.5 | | pF | Figure 13 |
| C_{OFF} | B Port Off Capacitance | $f=1MHz$ | 3.3 | | 30 | | pF | Figure 13 |
| C_{ON} | A Port On Capacitance | $f=1MHz$ | 3.3 | | 50 | | pF | Figure 14 |

Test Diagrams

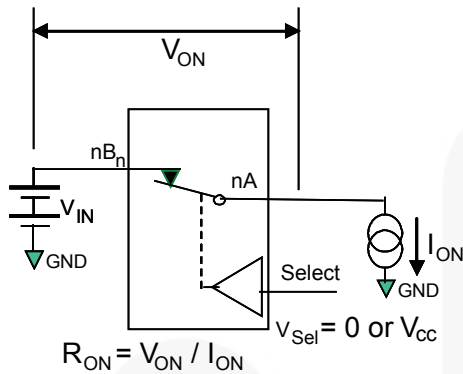
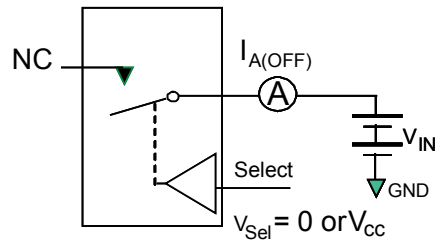


Figure 3. On Resistance



**Each switch port is tested separately.

Figure 4. Off Leakage (Ports Tested Separately)

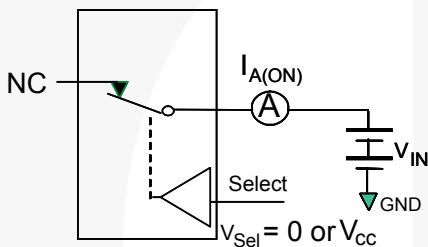


Figure 5. On Leakage

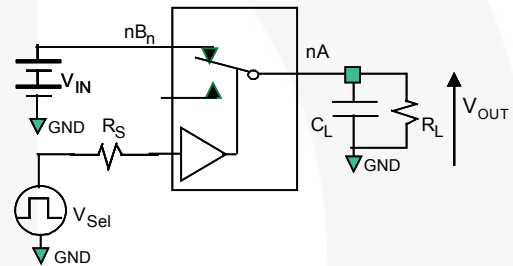


Figure 6. Test Circuit Load

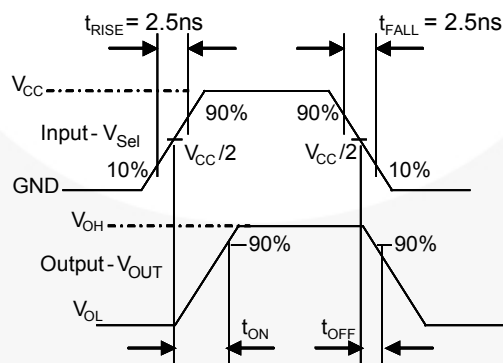


Figure 7. Turn-On / Turn-Off Waveforms

Test Diagrams (Continued)

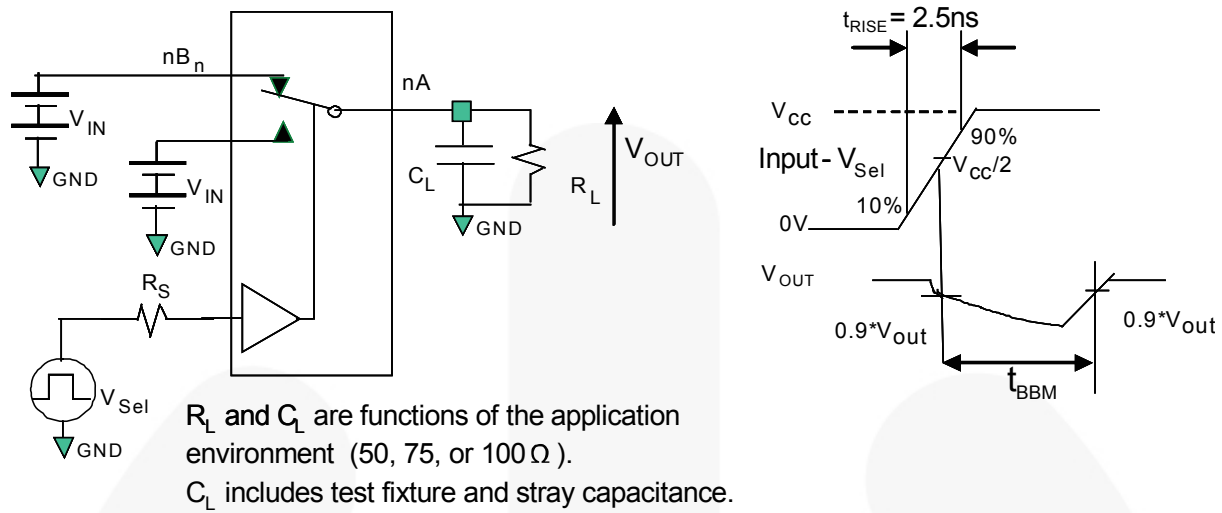


Figure 8. Break-Before-Make Interval Timing

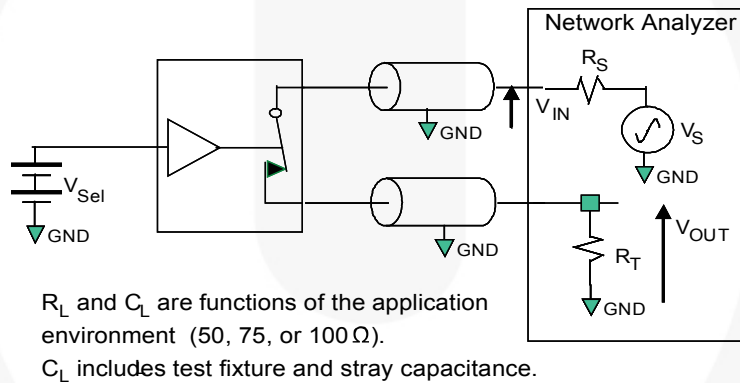


Figure 9. Bandwidth

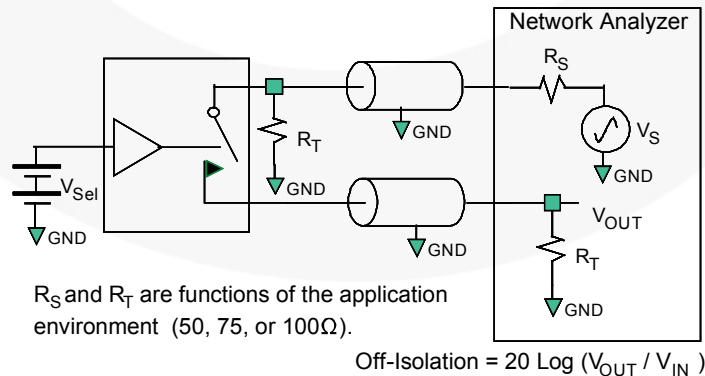


Figure 10. Channel Off Isolation

Test Diagrams (Continued)

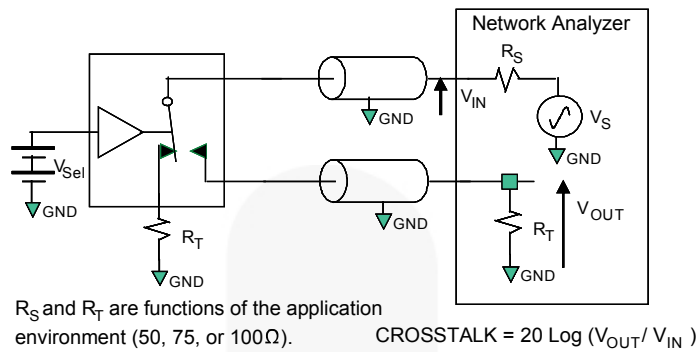


Figure 11. Adjacent Channel Crosstalk

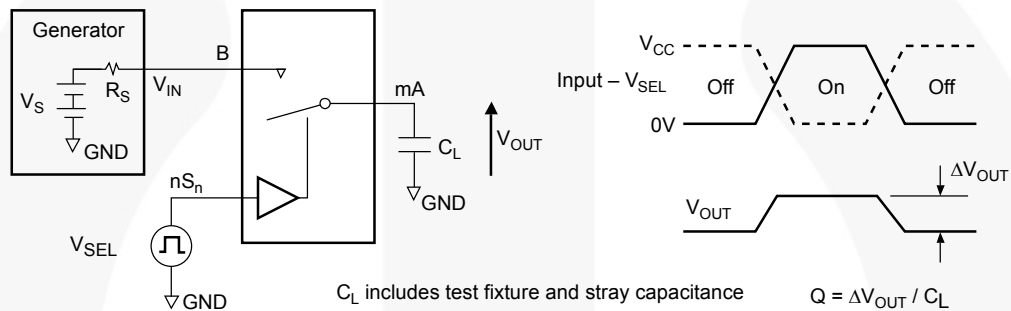


Figure 12. Charge Injection Test

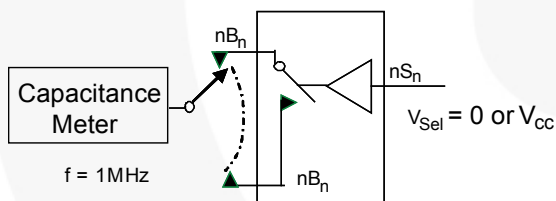


Figure 13. Channel Off Capacitance

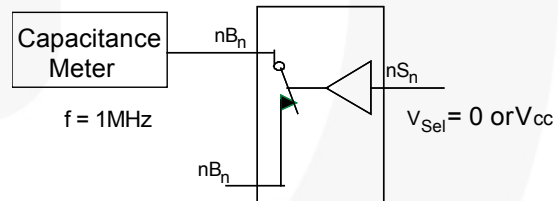


Figure 14. Channel On Capacitance

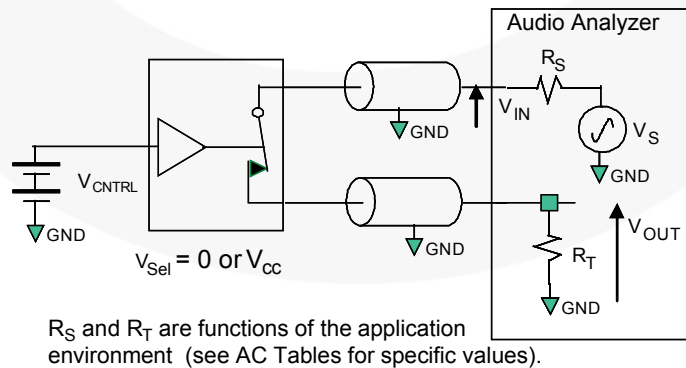


Figure 15. Total Harmonic Distortion

Physical Dimensions

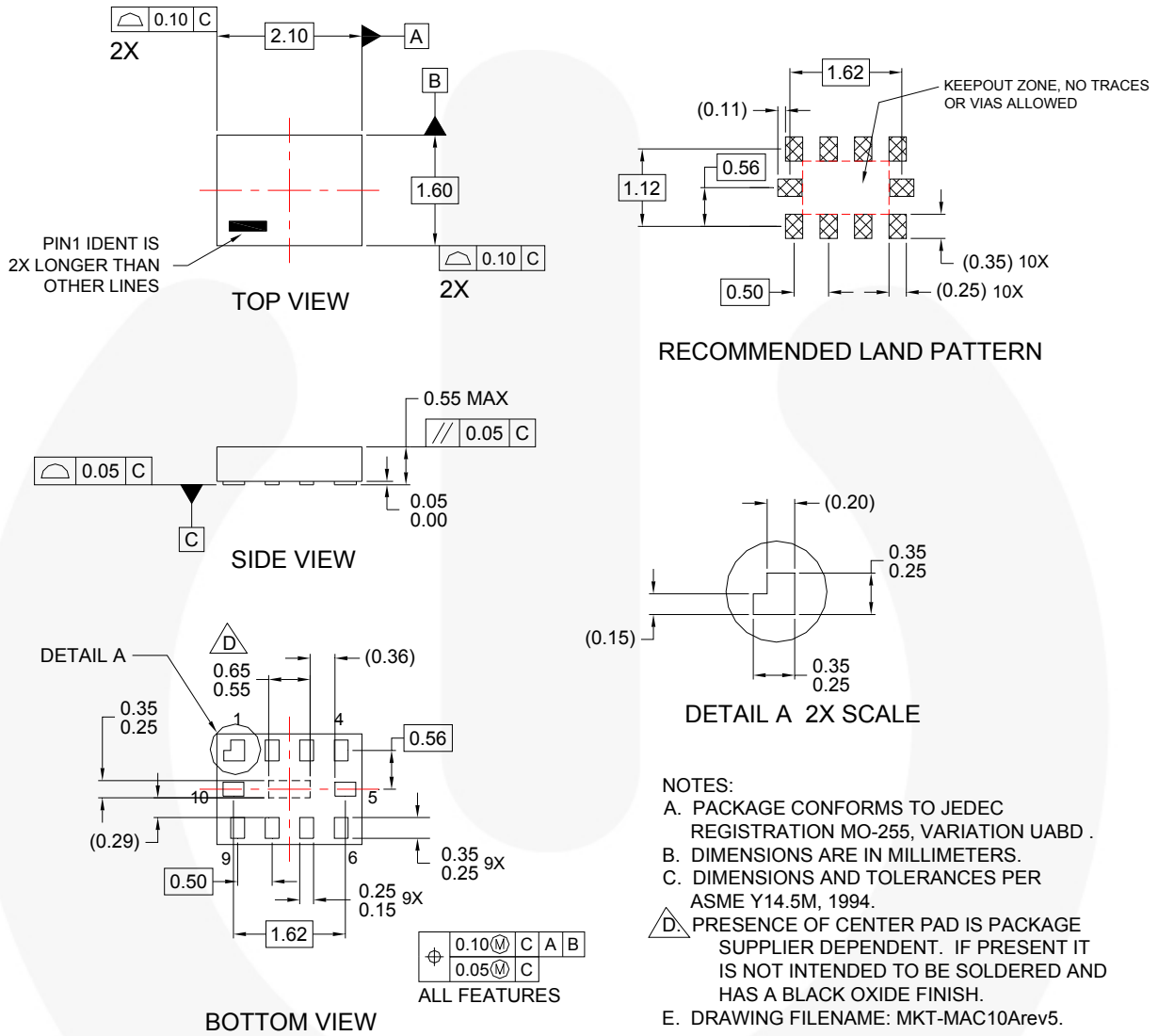


Figure 16. 10-Lead MicroPak™

Package drawings are provided as a service to customers considering Fairchild components. Drawings may change in any manner without notice. Please note the revision and/or date on the drawing and contact a Fairchild Semiconductor representative to verify or obtain the most recent revision. Package specifications do not expand the terms of Fairchild's worldwide terms and conditions, specifically the warranty therein, which covers Fairchild products.

Always visit Fairchild Semiconductor's online packaging area for the most recent package drawings:
<http://www.fairchildsemi.com/packaging/>



TRADEMARKS

The following includes registered and unregistered trademarks and service marks, owned by Fairchild Semiconductor and/or its global subsidiaries, and is not intended to be an exhaustive list of all such trademarks.

2Cool™
AccuPower™
AX-CAP™*
BitSIC™
Build it Now™
CorePLUS™
CorePOWER™
CROSSVOLT™
CTL™
Current Transfer Logic™
DEUXPEED®
Dual Cool™
EcoSPARK®
EfficientMax™
ESBC™

Fairchild®
Fairchild Semiconductor®
FACT Quiet Series™
FACT®
FAST®
FastvCore™
FETBench™
FlashWriter®*
FPS™

F-PFS™
FRFET®
Global Power Resource™
GreenBridge™
Green FPS™
Green FPS™ e-Series™
Gmax™
GTO™
IntelliMAX™
ISOPLANAR™
Making Small Speakers Sound Louder and Better™
MegaBuck™
MICROCOUPLER™
MicroFET™
MicroPak™
MicroPak2™
MillerDrive™
MotionMax™
Motion-SPM™
mWSaver™
OptoHiT™
OPTOLOGIC®
OPTOPLANAR®

PowerTrench®
PowerXS™
Programmable Active Droop™
QFET®
QS™
Quiet Series™
RapidConfigure™

Saving our world, 1mW/W/kW at a time™
SignalWise™
SmartMax™
SMART START™
Solutions for Your Success™
SPM®
STEALTH™
SuperFET®
SuperSOT™-3
SuperSOT™-6
SuperSOT™-8
SupreMOS®
SyncFET™
Sync-Lock™


The Power Franchise®

TinyBoost™
TinyBuck™
TinyCalc™
TinyLogic®
TINYOPTO™
TinyPower™
TinyPWM™
TinyWire™
Tran SiC™
TriFault Detect™
TRUECURRENT®*
µSerDes™

UHC®
Ultra FRFET™
UniFET™
VCX™
VisualMax™
VoltagePlus™
XS™

* Trademarks of System General Corporation, used under license by Fairchild Semiconductor.

DISCLAIMER

FAIRCHILD SEMICONDUCTOR RESERVES THE RIGHT TO MAKE CHANGES WITHOUT FURTHER NOTICE TO ANY PRODUCTS HEREIN TO IMPROVE RELIABILITY, FUNCTION, OR DESIGN. FAIRCHILD DOES NOT ASSUME ANY LIABILITY ARISING OUT OF THE APPLICATION OR USE OF ANY PRODUCT OR CIRCUIT DESCRIBED HEREIN; NEITHER DOES IT CONVEY ANY LICENSE UNDER ITS PATENT RIGHTS, NOR THE RIGHTS OF OTHERS. THESE SPECIFICATIONS DO NOT EXPAND THE TERMS OF FAIRCHILD'S WORLDWIDE TERMS AND CONDITIONS, SPECIFICALLY THE WARRANTY THEREIN, WHICH COVERS THESE PRODUCTS.

LIFE SUPPORT POLICY

FAIRCHILD'S PRODUCTS ARE NOT AUTHORIZED FOR USE AS CRITICAL COMPONENTS IN LIFE SUPPORT DEVICES OR SYSTEMS WITHOUT THE EXPRESS WRITTEN APPROVAL OF FAIRCHILD SEMICONDUCTOR CORPORATION.

As used herein:

1. Life support devices or systems are devices or systems which, (a) are intended for surgical implant into the body or (b) support or sustain life, and (c) whose failure to perform when properly used in accordance with instructions for use provided in the labeling, can be reasonably expected to result in a significant injury of the user.
2. A critical component in any component of a life support, device, or system whose failure to perform can be reasonably expected to cause the failure of the life support device or system, or to affect its safety or effectiveness.

ANTI-COUNTERFEITING POLICY

Fairchild Semiconductor Corporation's Anti-Counterfeiting Policy. Fairchild's Anti-Counterfeiting Policy is also stated on our external website, www.fairchildsemi.com, under Sales Support.

Counterfeiting of semiconductor parts is a growing problem in the industry. All manufacturers of semiconductor products are experiencing counterfeiting of their parts. Customers who inadvertently purchase counterfeit parts experience many problems such as loss of brand reputation, substandard performance, failed applications, and increased cost of production and manufacturing delays. Fairchild is taking strong measures to protect ourselves and our customers from the proliferation of counterfeit parts. Fairchild strongly encourages customers to purchase Fairchild parts either directly from Fairchild or from Authorized Fairchild Distributors who are listed by country on our web page cited above. Products customers buy either from Fairchild directly or from Authorized Fairchild Distributors are genuine parts, have full traceability, meet Fairchild's quality standards for handling and storage and provide access to Fairchild's full range of up-to-date technical and product information. Fairchild and our Authorized Distributors will stand behind all warranties and will appropriately address any warranty issues that may arise. Fairchild will not provide any warranty coverage or other assistance for parts bought from Unauthorized Sources. Fairchild is committed to combat this global problem and encourage our customers to do their part in stopping this practice by buying direct or from authorized distributors.

PRODUCT STATUS DEFINITIONS

Definition of Terms

| Datasheet Identification | Product Status | Definition |
|--------------------------|-----------------------|---|
| Advance Information | Formative / In Design | Datasheet contains the design specifications for product development. Specifications may change in any manner without notice. |
| Preliminary | First Production | Datasheet contains preliminary data; supplementary data will be published at a later date. Fairchild Semiconductor reserves the right to make changes at any time without notice to improve design. |
| No Identification Needed | Full Production | Datasheet contains final specifications. Fairchild Semiconductor reserves the right to make changes at any time without notice to improve the design. |
| Obsolete | Not In Production | Datasheet contains specifications on a product that is discontinued by Fairchild Semiconductor. The datasheet is for reference information only. |

Rev. I61

Mouser Electronics

Authorized Distributor

Click to View Pricing, Inventory, Delivery & Lifecycle Information:

[Fairchild Semiconductor:](#)

[FSA2258L10X](#)