



## USB2517

# USB 2.0 Hi-Speed 7-Port Hub Controller



## PRODUCT FEATURES

Datasheet

### General Description

The SMSC 7-Port Hub is a low power, OEM configurable, MTT (multi transaction translator) hub controller IC with 7 downstream ports for embedded USB solutions. The 7-port hub is fully compliant with the USB 2.0 Specification and will attach to an upstream port as a Full-Speed Hub or as a Full-/Hi-Speed Hub. The 7-Port Hub supports Low-Speed, Full-Speed, and Hi-Speed (if operating as a Hi-Speed Hub) downstream devices on all of the enabled downstream ports.

### General Features

- Hub Controller IC with 7 downstream ports
- High-performance multiple transaction translator MultiTRAK™ Technology provides one transaction translator per port
- Enhanced OEM configuration options available through either a single serial I<sup>2</sup>C™ EEPROM, or SMBus Slave Port
- 64-Pin (9x9 mm) QFN lead-free, RoHS compliant package

### Hardware Features

- Low power operation
- Full Power Management with individual or ganged power control of each downstream port
- On-chip Power On Reset (POR)
- Internal 1.8V Voltage Regulator
- Fully integrated USB termination and Pull-up/Pull-down resistors
- On Board 24MHz Crystal Driver, Resonator, or External 24MHz clock input
- USB host/device speed indicator. Per-port 3-color LED drivers indicate the speed of USB host and device connection - hi-speed (480 Mbps), full-speed (12 Mbps), low-speed (1.5 Mbps)
- Enhanced EMI rejection and ESD protection performance

### OEM Selectable Features

- Customizable Vendor ID, Product ID, and Device ID
- Select whether the hub is part of a compound device (When any downstream port is permanently hardwired to a USB peripheral device, the hub is part of a compound device.)

- Flexible port mapping and disable sequence. Ports can be disabled/reordered in any order to support multiple product SKUs. Hub will automatically reorder the remaining ports to match the Host controller's numbering scheme
- Programmable USB differential-pair pin location
  - Eases PCB layout by aligning USB signal lines directly to connectors
- Programmable USB signal drive strength. Recover USB signal integrity due to compromised system environments using 4-level driving strength resolution
- Select the presence of a permanently hardwired USB peripheral device on a port by port basis
- Configure the delay time for filtering the over-current sense inputs
- Configure the delay time for turning on downstream port power
- Indicate the maximum current that the 7-port hub consumes from the USB upstream port
- Indicate the maximum current required for the hub controller
- Support Custom String Descriptor up to 31 characters in length for:
  - Product String
  - Manufacturer String
  - Serial Number String
- Pin Selectable Options for Default Configuration
  - Select Downstream Ports as Non-Removable Ports
  - Select Downstream Ports as Disabled Ports
  - Select Downstream Port Power Control and Over-Current Detection on a Ganged or Individual Basis
  - Select USB Signal Drive Strength
  - Select USB Differential Pair Pin location

### Applications

- LCD monitors and TVs
- Multi-function USB peripherals
- PC mother boards
- Set-top boxes, DVD players, DVR/PVR
- Printers and scanners
- PC media drive bay
- Portable hub boxes
- Mobile PC docking
- Embedded systems

**Order Number(s):**

**USB2517-JZX for 64 pin, QFN lead-free RoHS compliant package**

**This product meets the halogen maximum concentration values per IEC61249-2-21**

**For RoHS compliance and environmental information, please visit [www.smsc.com/rohs](http://www.smsc.com/rohs)**

*Please contact your SMSC sales representative for additional documentation related to this product such as application notes, anomaly sheets, and design guidelines.*

Copyright © 2012 SMSC or its subsidiaries. All rights reserved.

Circuit diagrams and other information relating to SMSC products are included as a means of illustrating typical applications. Consequently, complete information sufficient for construction purposes is not necessarily given. Although the information has been checked and is believed to be accurate, no responsibility is assumed for inaccuracies. SMSC reserves the right to make changes to specifications and product descriptions at any time without notice. Contact your local SMSC sales office to obtain the latest specifications before placing your product order. The provision of this information does not convey to the purchaser of the described semiconductor devices any licenses under any patent rights or other intellectual property rights of SMSC or others. All sales are expressly conditional on your agreement to the terms and conditions of the most recently dated version of SMSC's standard Terms of Sale Agreement dated before the date of your order (the "Terms of Sale Agreement"). The product may contain design defects or errors known as anomalies which may cause the product's functions to deviate from published specifications. Anomaly sheets are available upon request. SMSC products are not designed, intended, authorized or warranted for use in any life support or other application where product failure could cause or contribute to personal injury or severe property damage. Any and all such uses without prior written approval of an Officer of SMSC and further testing and/or modification will be fully at the risk of the customer. Copies of this document or other SMSC literature, as well as the Terms of Sale Agreement, may be obtained by visiting SMSC's website at <http://www.smsc.com>. SMSC is a registered trademark of Standard Microsystems Corporation ("SMSC"). Product names and company names are the trademarks of their respective holders.

The Microchip name and logo, and the Microchip logo are registered trademarks of Microchip Technology Incorporated in the U.S.A. and other countries.

**SMSC DISCLAIMS AND EXCLUDES ANY AND ALL WARRANTIES, INCLUDING WITHOUT LIMITATION ANY AND ALL IMPLIED WARRANTIES OF MERCHANTABILITY, FITNESS FOR A PARTICULAR PURPOSE, TITLE, AND AGAINST INFRINGEMENT AND THE LIKE, AND ANY AND ALL WARRANTIES ARISING FROM ANY COURSE OF DEALING OR USAGE OF TRADE. IN NO EVENT SHALL SMSC BE LIABLE FOR ANY DIRECT, INCIDENTAL, INDIRECT, SPECIAL, PUNITIVE, OR CONSEQUENTIAL DAMAGES; OR FOR LOST DATA, PROFITS, SAVINGS OR REVENUES OF ANY KIND; REGARDLESS OF THE FORM OF ACTION, WHETHER BASED ON CONTRACT; TORT; NEGLIGENCE OF SMSC OR OTHERS; STRICT LIABILITY; BREACH OF WARRANTY; OR OTHERWISE; WHETHER OR NOT ANY REMEDY OF BUYER IS HELD TO HAVE FAILED OF ITS ESSENTIAL PURPOSE, AND WHETHER OR NOT SMSC HAS BEEN ADVISED OF THE POSSIBILITY OF SUCH DAMAGES.**

## Table of Contents

<b>Chapter 1</b>	<b>Acronyms &amp; Definitions</b> .....	<b>6</b>
<b>Chapter 2</b>	<b>Pin Configuration</b> .....	<b>7</b>
<b>Chapter 3</b>	<b>Pin Table</b> .....	<b>8</b>
3.1	64-Pin List .....	8
<b>Chapter 4</b>	<b>Block Diagram</b> .....	<b>10</b>
<b>Chapter 5</b>	<b>Pin Descriptions</b> .....	<b>11</b>
5.1	PIN Descriptions .....	11
5.2	Buffer Type Descriptions .....	16
<b>Chapter 6</b>	<b>LED Usage Description</b> .....	<b>17</b>
6.1	LED Functionality .....	17
<b>Chapter 7</b>	<b>Configuration Options</b> .....	<b>19</b>
7.1	7-Port Hub .....	19
7.2	EEPROM Interface .....	19
7.3	SMBus Slave Interface .....	37
7.4	Default Configuration Option: .....	39
7.5	Default Strapping Options: .....	39
7.6	Reset .....	40
<b>Chapter 8</b>	<b>DC Parameters</b> .....	<b>45</b>
8.1	Maximum Guaranteed Ratings .....	45
8.2	Operating Conditions .....	45
<b>Chapter 9</b>	<b>AC Specifications</b> .....	<b>49</b>
9.1	Oscillator/Clock .....	49
<b>Chapter 10</b>	<b>Package Outline</b> .....	<b>50</b>

## List of Figures

Figure 2.1	USB2517 64-Pin QFN Diagram	7
Figure 4.1	USB2517 Block Diagram	10
Figure 6.1	Dual Color LED Implementation Example	18
Figure 7.1	Block Write	38
Figure 7.2	Block Read	38
Figure 7.3	LED Strapping Option	40
Figure 7.4	Reset_N Timing for Default/Strap Option Mode	41
Figure 7.5	Reset_N Timing for EEPROM Mode	42
Figure 7.6	Reset_N Timing for SMBus Mode	43
Figure 8.1	Supply Rise Time Model	46
Figure 9.1	Typical Crystal Circuit	49
Figure 9.2	Formula to find value of C1 and C2	49
Figure 10.1	64-Pin QFN, 9x9mm Body, 0.5mm Pitch	50

## List of Tables

Table 3.1	USB2517 64-Pin Table . . . . .	8
Table 5.1	USB2517 Pin Descriptions . . . . .	11
Table 5.2	USB2517 SMBUS or EEPROM Interface Behavior. . . . .	15
Table 5.3	USB2517 Buffer Type Descriptions. . . . .	16
Table 7.1	Internal Default, EEPROM and SMBus Register Memory Map. . . . .	19
Table 7.2	Port Remap Register for Ports 1 & 2. . . . .	32
Table 7.3	Port Remap Register for Ports 3 & 4. . . . .	33
Table 7.4	Port Remap Register for Ports 5 & 6. . . . .	35
Table 7.5	Port Remap Register for Port 7 . . . . .	36
Table 7.6	Reset_N Timing for Default/Strap Option Mode . . . . .	41
Table 7.7	Reset_N Timing for EEPROM Mode. . . . .	42
Table 7.8	Reset_N Timing for SMBus Mode. . . . .	43
Table 8.1	DC Electrical Characteristics . . . . .	46
Table 8.2	Pin Capacitance. . . . .	48

## Chapter 1 Acronyms & Definitions

**EEPROM:** Electrically Erasable Programmable Read-Only Memory (a type of non-volatile memory)

**EMI:** Electromagnetic Interference

**ESD:** Electrostatic Discharge

**I<sup>2</sup>C™:** Inter-Integrated Circuit<sup>1</sup>

**LCD:** Liquid Crystal Display

**LED:** Light Emitting Diode

**OCS:** Over-current sense

**PCB:** Printed Circuit Board

**PHY:** Physical Layer

**PLL:** Phase-Locked Loop

**PVR:** Personal Video Recorder (also known as a Digital Video Recorder)

**QFN:** Quad Flat No Leads

**RoHS:** Restriction of Hazardous Substances Directive

**SCK:** Serial Clock

**SD:** Secure Digital

**SIE:** Serial Interface Engine

**SMBus:** System Management Bus

**TT:** Transaction Translator

---

<sup>1</sup>.I<sup>2</sup>C is a registered trademark of Philips Corporation.

# Chapter 2 Pin Configuration

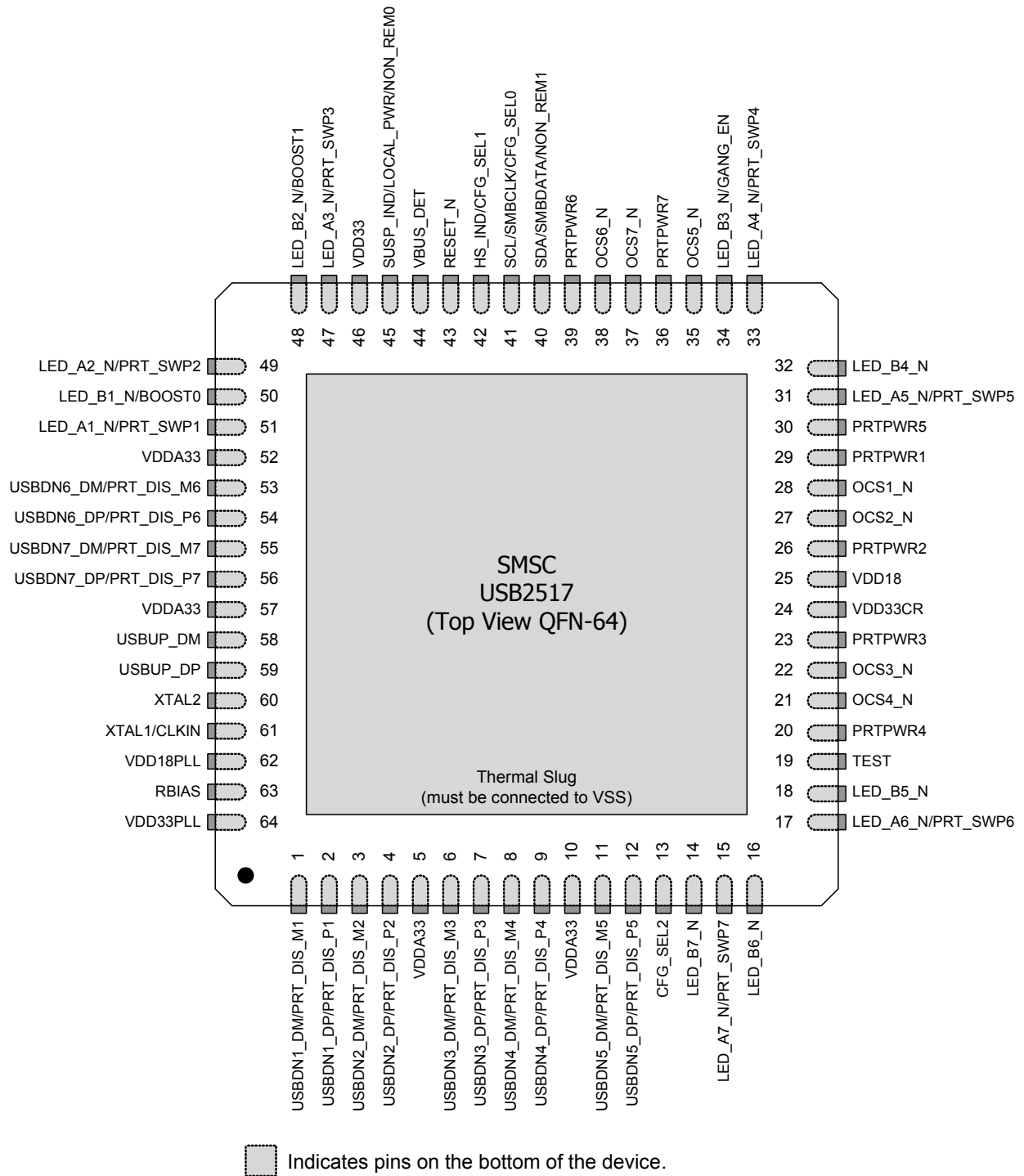


Figure 2.1 USB2517 64-Pin QFN Diagram

## Chapter 3 Pin Table

### 3.1 64-Pin List

Table 3.1 USB2517 64-Pin Table

<b>UPSTREAM USB 2.0 INTERFACES (3 PINS)</b>			
USBUP_DP	USBUP_DM	VBUS_DET	
<b>DOWNSTREAM 7-PORT USB 2.0 INTERFACES (43 PINS)</b>			
USBDN1_DP/ PRT_DIS_P1	USBDN2_DP/ PRT_DIS_P2	USBDN3_DP/ PRT_DIS_P3	USBDN4_DP/ PRT_DIS_P4
USBDN5_DP/ PRT_DIS_P5	USBDN6_DP/ PRT_DIS_P6	USBDN7_DP/ PRT_DIS_P7	USBDN1_DM/ PRT_DIS_M1
USBDN2_DM/ PRT_DIS_M2	USBDN3_DM/ PRT_DIS_M3	USBDN4_DM/ PRT_DIS_M4	USBDN5_DM/ PRT_DIS_M5
USBDN6_DM/ PRT_DIS_M6	USBDN7_DM/ PRT_DIS_M7	LED_A1_N/ PRT_SWP1	LED_A2_N/ PRT_SWP2
LED_A3_N/ PRT_SWP3	LED_A4_N/ PRT_SWP4	LED_A5_N/ PRT_SWP5	LED_A6_N/ PRT_SWP6
LED_A7_N/ PRT_SWP7	LED_B1_N/ BOOST0	LED_B2_N/ BOOST1	LED_B3_N/ GANG_EN
LED_B4_N	LED_B5_N	LED_B6_N	LED_B7_N
P RTPWR1	P RTPWR2	P RTPWR3	P RTPWR4
P RTPWR5	P RTPWR6	P RTPWR7	OCS1_N
OCS2_N	OCS3_N	OCS4_N	OCS5_N
OCS6_N	OCS7_N	RBIAS	
<b>SERIAL PORT INTERFACE (4 PINS)</b>			
SDA/ SMBDATA/ NON_REM1	SCL/ SMBCLK/ CFG_SEL0	HS_IND/ CFG_SEL1	CFG_SEL2
<b>MISC (5 PINS)</b>			
XTAL1/CLKIN	XTAL2	SUSP_IND/ LOCAL_PWR/ NON_REM0	RESET_N
TEST			



**Table 3.1 USB2517 64-Pin Table (continued)**

<b>ANALOG POWER (6 PINS)</b>			
VDD18PLL	VDD33PLL	(4) VDDA33	
<b>DIGITAL POWER, GROUND (3 PINS)</b>			
VDD33	VDD18	VDD33CR	
<b>TOTAL 64</b>			

# Chapter 4 Block Diagram

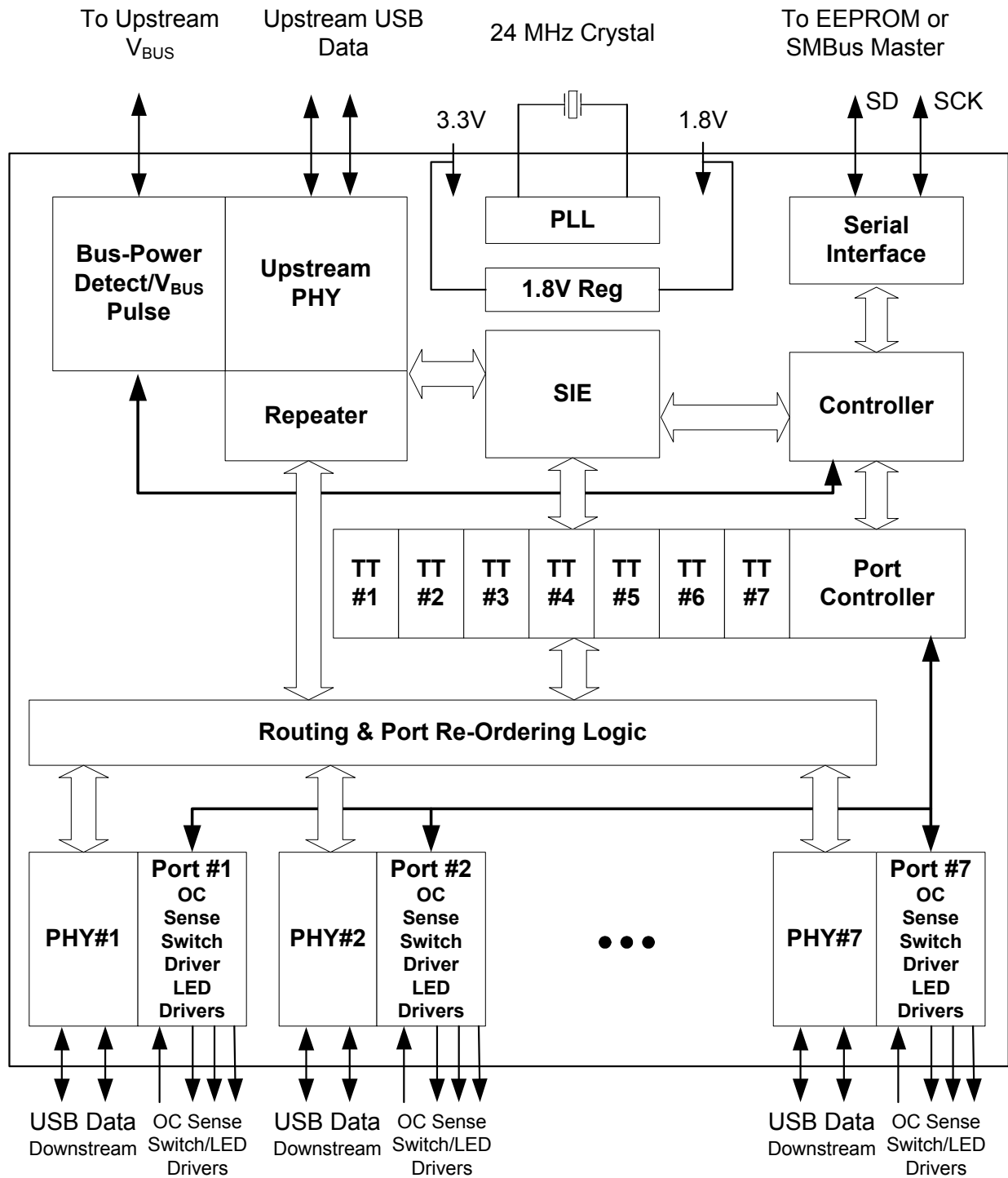


Figure 4.1 USB2517 Block Diagram

## Chapter 5 Pin Descriptions

### 5.1 PIN Descriptions

This section provides a detailed description of each signal. The signals are arranged in functional groups according to their associated interface.

The “N” symbol in the signal name indicates that the active, or asserted, state occurs when the signal is at a low voltage level. When “N” is not present before the signal name, the signal is asserted when at the high voltage level. The terms assertion and negation are used exclusively. This is done to avoid confusion when working with a mixture of “active low” and “active high” signals. The term assert, or assertion, indicates that a signal is active, independent of whether that level is represented by a high or low voltage. The term negate, or negation, indicates that a signal is inactive.

**Table 5.1 USB2517 Pin Descriptions**

SYMBOL	64 QFN	BUFFER TYPE	DESCRIPTION
<b>UPSTREAM USB INTERFACES</b>			
USBUP_DP USBUP_DM	59 58	IO-U	USB Bus Data These pins connect to the upstream USB bus data signals (Host port, or upstream hub).
VBUS_DET	44	I/O12	Detect Upstream VBUS Power Detects state of Upstream VBUS power. The SMSC Hub monitors VBUS_DET to determine when to assert the internal D+ pull-up resistor (signaling a connect event). When designing a detachable hub, this pin must be connected to the VBUS power pin of the USB port that is upstream from the hub. For self-powered applications with a permanently attached host, this pin must be connected to 3.3V or 5.0V (typically VDD33).
<b>DOWNSTREAM 7-PORT USB 2.0 INTERFACES</b>			
USBDN[7:1]_DP/ PRT_DIS_P[7:1] & USBDN[7:1]_DM/ PRT_DIS_M[7:1]	2 4 7 9 12 54 56 1 3 6 8 11 53 55	IO-U	Hi-Speed USB Data & Port Disable Strap Option USBDN_DP[7:1] / PRT_DIS_P[7:1]: These pins connect to the downstream USB peripheral devices attached to the hub's port. To disable, pull up with 10K resistor to 3.3V. Downstream Port Disable Strap option: USBDN_DM[7:1] / PRT_DIS_M[7:1]: If this strap is enabled by package and configuration settings (see <a href="#">Table 5.2</a> ), this pin will be sampled at RESET_N negation to determine if the port is disabled.
PRTPWR[7:1]	36 39 30 20 23 26 29	O12	USB Power Enable Enables power to USB peripheral devices downstream. Note: The hub supports active high power controllers only!

**Table 5.1 USB2517 Pin Descriptions (continued)**

SYMBOL	64 QFN	BUFFER TYPE	DESCRIPTION
LED_A[7:1]_N/ PRT_SWP[7:1]	15 17 31 33 47 49 51	I/O12	<p>Port LED Indicators &amp; Port Swap strapping option</p> <p>Indicator LED for ports 1-7. Will be active low when LED support is enabled via EEPROM or SMBus.</p> <p>If this strap is enabled by package and configuration settings (see <a href="#">Table 5.2</a>), this pin will be sampled at RESET_N negation to determine the electrical connection polarity of the downstream USB Port pins (USB_DP and USB_DM).</p> <p>Also, the active state of the LED will be determined as follows:</p> <p>'0' = Port Polarity is normal, LED is active high.</p> <p>'1' = Port Polarity (USB_DP and USB_DM) is swapped, LED is active low.</p>
LED_B[7:4]_N	14 16 18 32	I/O12	<p>Enhanced Indicator Port 4-7 LED</p> <p>Enhanced Indicator LED for ports 4-7. Will be active low when LED support is enabled via EEPROM or SMBus.</p>
LED_B3_N/ GANG_EN	34	I/O12	<p>Enhanced Port 3 LED, Gang Power, and Over-current Strap Option</p> <p>Enhanced Indicator LED for port 3. Will be active low when LED support is enabled via EEPROM or SMBus.</p> <p>GANG_EN: Selects between Gang or Individual Port power and Over-current sensing.</p> <p>If this strap is enabled by package and configuration settings (see <a href="#">Table 5.2</a>), this pin will be sampled at RESET_N negation to determine the mode as follows:</p> <p>'0' = Individual sensing &amp; switching, and LED_B3_N is active high.</p> <p>'1' = Ganged sensing &amp; switching, and LED_B3_N is active low.</p>
LED_B[2:1]_N/ BOOST[1:0]	48 50	I/O12	<p>Enhanced Port [2:1] LED &amp; PHY Boost strapping option</p> <p>Enhanced Indicator LED for ports 1 &amp; 2. Will be active low when LED support is enabled via EEPROM or SMBus.</p> <p>BOOST[1:0]: If this strap is enabled by package and configuration settings (see <a href="#">Table 5.2</a>), this pin will be sampled at RESET_N negation to determine if all PHY ports (upstream and downstream) operate at a normal or boosted electrical level. Also, the active state of the LEDs will be determined as follows:</p> <p>See <a href="#">Section 7.2.1.26, "Register F6h: Boost_Up"</a> and <a href="#">Section 7.2.1.28, "Register F8h: Boost_4:0"</a>.</p> <p>BOOST[1:0] = BOOST_IOUT[1:0]</p> <p>BOOST[1:0] = '00', LED_B2_N is active high, LED_B1_N is active high.</p> <p>BOOST[1:0] = '01', LED_B2_N is active high, LED_B1_N is active low.</p> <p>BOOST[1:0] = '10', LED_B2_N is active low, LED_B1_N is active high.</p> <p>BOOST[1:0] = '11', LED_B2_N is active low, LED_B1_N is active low.</p>

**Table 5.1 USB2517 Pin Descriptions (continued)**

SYMBOL	64 QFN	BUFFER TYPE	DESCRIPTION
OCS[7:1]_N	37 38 35 21 22 27 28	IPU	Over-current Sense  Input from external current monitor indicating an over-current condition.  {Note: Contains internal pull-up to 3.3V supply}
RBIAS	63	I-R	USB Transceiver Bias  A 12.0k $\Omega$ (+/- 1%) resistor is attached from the ground to this pin to set the transceiver's internal bias settings.
<b>SERIAL PORT INTERFACE</b>			
SDA/ SMBDATA/ NON_REM1	40	I/OSD12	Serial Data / SMB Data  NON_REM1: Non-removable port strap option.  If this strap is enabled by package and configuration settings (see <a href="#">Table 5.2</a> ) this pin will be sampled (in conjunction with SUSP_IND/LOCAL_PWR/NON_REM0) at RESET_N negation to determine if ports [3:1] contain permanently attached (non-removable) devices:  NON_REM[1:0] = '00', All ports are removable, NON_REM[1:0] = '01', Port 1 is non-removable, NON_REM[1:0] = '10', Ports 1 & 2 are non-removable, NON_REM[1:0] = '11', Ports 1, 2 & 3 are non-removable.
SCL/  SMBCLK/  CFG_SEL0	41	I/OSD12	Serial Clock (SCL)  SMBus Clock (SMBCLK)  Configuration Select_SEL0: The logic state of this multifunctional pin is internally latched on the rising edge of RESET_N (RESET_N negation), and will determine the hub configuration method as described in <a href="#">Table 5.2, "USB2517 SMBUS or EEPROM Interface Behavior"</a> .
HS_IND/ CFG_SEL1	42	I/O12	Hi-Speed Upstream port indicator & Configuration Programming Select  HS_IND: High Speed Indicator for upstream port connection speed.  The active state of the LED will be determined as follows:  CFG_SEL1 = '0', HS_IND is active high,  CFG_SEL1 = '1', HS_IND is active low,  'Asserted' = Hub is connected at HS 'Negated' = Hub is connected at FS  CFG_SEL1: The logic state of this pin is internally latched on the rising edge of RESET_N (RESET_N negation), and will determine the hub configuration method as described in <a href="#">Table 5.2, "USB2517 SMBUS or EEPROM Interface Behavior"</a> .

**Table 5.1 USB2517 Pin Descriptions (continued)**

SYMBOL	64 QFN	BUFFER TYPE	DESCRIPTION
CFG_SEL2	13	I	Configuration Programming Select <b>Note:</b> This pin is not available in all packages; it is held to a logic '0' when not available. The logic state of this pin is internally latched on the rising edge of RESET_N (RESET_N negation), and will determine the hub configuration method as described in <a href="#">Table 5.2, "USB2517 SMBUS or EEPROM Interface Behavior"</a> .
<b>MISC</b>			
XTAL1/ CLKIN	61	ICLKx	Crystal Input/External Clock Input 24MHz crystal or external clock input. This pin connects to either one terminal of the crystal or to an external 24MHz clock when a crystal is not used.
XTAL2	60	OCLKx	Crystal Output 24MHz Crystal This is the other terminal of the crystal. It can be treated as a no connect when an external clock source is used to drive XTAL1/CLKIN. This output must not be used to drive any external circuitry other than the crystal circuit.
RESET_N	43	IS	RESET Input The system can reset the chip by driving this input low. The minimum active low pulse is 1 $\mu$ s. When the RESET_N pin is pulled to VDD33, the internal POR (Power on Reset) is enabled and no external reset circuitry is required. The internal POR holds the internal logic in reset until the power supplies are stable.
SUSP_IND/ LOCAL_PWR/ NON_REMO	45	I/O12	Active/Suspend status LED or Local-Power & Non-Removable Strap Option Suspend Indicator: Indicates the USB state of the hub. 'negated' = Unconfigured or configured and in USB suspend 'asserted' = Hub is configured, and is active (i.e., not in suspend) Local Power: Detects availability of local self-power source. Low = Self/local power source is NOT available (i.e., Hub gets all power from the upstream USB VBus). High = Self/local power source is available. NON_REMO Strap Option: If this strap is enabled by package and configuration settings (see <a href="#">Table 5.2, "USB2517 SMBUS or EEPROM Interface Behavior"</a> ), this pin will be sampled (in conjunction with NON_REM1) at RESET_N negation to determine if ports [3:1] contain permanently attached (non-removable) devices. Also, the active state of the LED will be determined as follows: NON_REM[1:0] = '00', All ports are removable, and the LED is active high NON_REM[1:0] = '01', Port 1 is non-removable, and the LED is active low NON_REM[1:0] = '10', Ports 1 & 2 are non-removable, and the LED is active high NON_REM[1:0] = '11', Ports 1, 2 & 3 are non-removable, and the LED is active low

**Table 5.1 USB2517 Pin Descriptions (continued)**

SYMBOL	64 QFN	BUFFER TYPE	DESCRIPTION
TEST	19	IPD	TEST pin  XNOR continuity tests all signal pins on the hub. Please contact your SMSC representative for a detailed description of how this test mode is enabled and utilized.
<b>Power, Ground, No Connect</b>			
VDD18	25		VDD Core  +1.8V core power. This pin must have a 1.0 $\mu$ F (or greater) $\pm$ 20% (ESR <0.1 $\Omega$ ) capacitor to VSS.
VDD33PLL	64		VDD 3.3 PLL Regulator Reference  +3.3V power supply for the Digital I/O. If the internal PLL 1.8V regulator is enabled, then this pin acts as the regulator input.
VDD18PLL	62		VDD PLL  +1.8V Filtered analog power for internal PLL. This pin must have a 1.0 $\mu$ F (or greater) $\pm$ 20% (ESR <0.1 $\Omega$ ) capacitor to VSS.
VDD33	46		VDD I/O  +3.3V Digital I/O power
VDDA33	5 10 52 57		VDD Analog I/O  +3.3V Filtered analog PHY power which is shared between adjacent ports.
VDD33CR	24		VDDIO/VDD 3.3 Core Regulator Reference  +3.3V power supply for the Digital I/O. If the internal core regulator is enabled, then VDD33CR acts as the regulator input.
Ground	VSS	Slug	Ground

**Table 5.2 USB2517 SMBUS or EEPROM Interface Behavior**

CFG_SEL2	CFG_SEL1	CFG_SEL0	SMBUS OR EEPROM INTERFACE BEHAVIOR
0	0	0	Internal Default Configuration <ul style="list-style-type: none"> <li>■ Strap Options are Enabled</li> </ul>
0	0	1	Configured as an SMBus slave for external download of user-defined descriptors <ul style="list-style-type: none"> <li>■ SMBus slave address is '0101100'</li> <li>■ Strap Options are Disabled</li> <li>■ All Settings are Controlled by Registers</li> </ul>
0	1	0	Internal Default Configuration <ul style="list-style-type: none"> <li>■ Strap Options are Enabled</li> <li>■ Bus Power Operation</li> <li>■ LED Mode = USB</li> </ul>
0	1	1	2-Wire I <sup>2</sup> C EEPROMS are supported <ul style="list-style-type: none"> <li>■ Strap Options are Disabled</li> <li>■ All Settings are Controlled by Registers</li> </ul>
1	0	0	Internal Default Configuration <ul style="list-style-type: none"> <li>■ Strap Options are Disabled</li> <li>■ Dynamic Power Switching is Enabled</li> </ul>

CFG_SEL2	CFG_SEL1	CFG_SEL0	SMBUS OR EEPROM INTERFACE BEHAVIOR
1	0	1	Internal Default Configuration <ul style="list-style-type: none"> <li>■ Strap Options are Disabled</li> <li>■ Dynamic Power Switching is Enabled</li> <li>■ LED Mode = USB</li> </ul>
1	1	0	Internal Default Configuration <ul style="list-style-type: none"> <li>■ Strap Options are Disabled</li> </ul>
1	1	1	Internal Default Configuration <ul style="list-style-type: none"> <li>■ Strap Options are Disabled</li> <li>■ LED Mode = USB</li> <li>■ Ganged Power Switching</li> <li>■ Ganged Over-Current Sensing</li> </ul>

## 5.2 Buffer Type Descriptions

Table 5.3 USB2517 Buffer Type Descriptions

BUFFER	DESCRIPTION
I	Input.
IPD	Input with internal weak pull-down resistor.
IPU	Input with internal weak pull-up resistor.
IS	Input with Schmitt trigger.
O12	Output 12mA.
I/O12	Input/Output buffer with 12mA sink and 12mA source.
I/OSD12	Open drain...12mA sink with Schmitt trigger, and must meet I <sup>2</sup> C-Bus Specification Version 2.1 requirements.
ICLKx	XTAL clock input.
OCLKx	XTAL clock output.
I-R	RBIAS.
IO-U	Analog Input/Output Defined in USB specification.



## Chapter 6 LED Usage Description

### 6.1 LED Functionality

The hub supports 2 different (mutually exclusive) LED modes. The USB Mode provides 14 LED's that conform to the USB 2.0 specification functional requirements for Green and Amber LED's. The LED Mode "Speed indicator" provides the downstream device connection speed.

#### 6.1.1 USB Mode 14-Wire

The LED\_A[7:1]\_N pins are used to provide Green LED support as defined in the USB 2.0 specification. The LED\_B[7:1]\_N pins are used to provide Amber LED support as defined in the USB 2.0 specification. The USB Specification defines the LED's as port status indicators for the downstream ports. Please note that no indication of port speed is possible in this mode. The pins are utilized as follows:

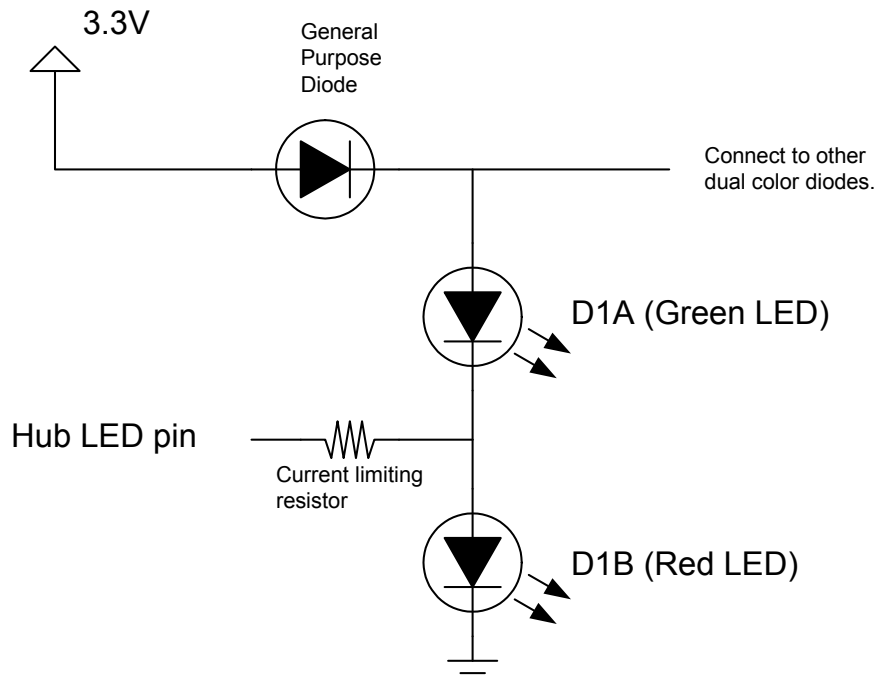
LED\_A1\_N = Port 1 green LED  
 LED\_A2\_N = Port 2 green LED  
 LED\_A3\_N = Port 3 green LED  
 LED\_A4\_N = Port 4 green LED  
 LED\_A5\_N = Port 5 green LED  
 LED\_A6\_N = Port 6 green LED  
 LED\_A7\_N = Port 7 green LED  
 LED\_B1\_N = Port 1 amber LED  
 LED\_B2\_N = Port 2 amber LED  
 LED\_B3\_N = Port 3 amber LED  
 LED\_B4\_N = Port 4 amber LED  
 LED\_B5\_N = Port 5 amber LED  
 LED\_B6\_N = Port 6 amber LED  
 LED\_B7\_N = Port 7 amber LED

#### 6.1.2 LED Mode Speed Indication

The LED\_A[7:1]\_N pins are used to provide connection status as well as port speed by using dual color LED's. This scheme requires that the LED's be in the same package, and that a third color is produced so that the user perceives both LED's as being driven "simultaneously".

The LED\_A[7:1] pins used in this mode are connected to 7 dual color LED's (each LED pair in a single package). These pins indicate the USB speed of each attached downstream device.

Each dual color LED provides two separate colors (commonly Green and Red). If each of these separate colors are pulsed on and off at a rapid rate, a user will see a third color (in this example, Orange). Using this method, 4 different "color" states are possible (Green, Red, Orange, and Off).



**Figure 6.1 Dual Color LED Implementation Example**

Figure 6.1 shows a simple example of how this LED circuit will be implemented. The circuit should be replicated for each of the 7 LED pins on the HUB. In this circuit, when the LED pin is driven to a logic low state, the Green LED will light up. When the LED pin is driven to a Logic High state the Red LED will light up. When a 1 KHz square wave is driven out on the LED pin, the Green and Red LED's will both alternately light up giving the effect of the color Orange. When nothing is driven out on the LED pin (i.e. the pin floats to a "tri-state" condition), neither the Green nor Red LED will light up, this is the "Off" state.

The assignment is as follows:

LED\_A1\_N = LED D1 (Downstream Port 1)

LED\_A2\_N = LED D2 (Downstream Port 2)

LED\_A3\_N = LED D3 (Downstream Port 3)

LED\_A4\_N = LED D4 (Downstream Port 4)

LED\_A5\_N = LED D5 (Downstream Port 5)

LED\_A6\_N = LED D6 (Downstream Port 6)

LED\_A7\_N = LED D7 (Downstream Port 7)

The usage is as follows:

LED\_Ax\_N Driven to Logic Low = LS device attached (Green LED)

LED\_Ax\_N Driven to Logic High = FS device attached (Red LED)

LED\_Ax\_N Pulsed @ 1 KHz= HS device attached (Orange color by pulsing Red & Green).

LED\_Ax\_N is tri-state= No devices are attached, or the hub is in suspend, LED's are off.

# Chapter 7 Configuration Options

## 7.1 7-Port Hub

SMSC's USB 2.0 7-Port Hub is fully compliant to the Universal Serial Bus Specification Revision 2.0 from April 27, 2000 (12/7/2000 and 5/28/2002 Errata). Please reference Chapter 11 (Hub Specification) for general details regarding Hub operation and functionality.

For performance reasons, the 7-Port Hub provides 1 Transaction Translator (TT) per port (defined as Multi-TT configuration), divided into 4 non-periodic buffers per TT.

### 7.1.1 Hub Configuration Options

The SMSC Hub supports a large number of features (some are mutually exclusive), and must be configured in order to correctly function when attached to a USB host controller. There are three principal ways to configure the Hub: SMBus, EEPROM, or by internal default settings (with or without pin strapping option overrides). In all cases, the configuration method will be determined by the CFG\_SEL2, CFG\_SEL1 and CFG\_SEL0 pins immediately after RESET\_N negation.

#### 7.1.1.1 Power Switching Polarity

**Note:** The hub will support active high power controllers only!

#### 7.1.2 VBus Detect

According to Section 7.2.1 of the USB 2.0 Specification, a downstream port can never provide power to its D+ or D- pull up resistors unless the upstream port's VBUS is in the asserted (powered) state. The VBUS\_DET pin on the Hub monitors the state of the upstream VBUS signal and will not pull up the D+ resistor if VBUS is not active. If VBUS goes from an active to an inactive state (not powered), the Hub will remove power from the D+ pull up resistor within 10 seconds.

## 7.2 EEPROM Interface

The SMSC Hub can be configured via a 2-wire (I<sup>2</sup>C) EEPROM (256x8). (Please see [Table 5.2, "USB2517 SMBUS or EEPROM Interface Behavior"](#) for specific details on how to enable configuration via an I<sup>2</sup>C EEPROM).

The internal state machine will (when configured for EEPROM support) read the external EEPROM for configuration data. The Hub will then "attach" to the upstream USB host.

**Note:** The Hub does not have the capacity to write, or "Program," an external EEPROM. The Hub only has the capability to read external EEPROMs. The external EEPROM will be read (even if it is blank or non-populated), and the Hub will be "configured" with the values that are read.

Please see Internal Register Set (Common to EEPROM and SMBus) for a list of data fields available.

### 7.2.1 Internal Register Set (Common to EEPROM and SMBus)

Table 7.1 Internal Default, EEPROM and SMBus Register Memory Map

REG ADDR	R/W	REGISTER NAME	ABBR	INTERNAL DEFAULT ROM	SMBUS AND EEPROM POR VALUES
00h	R/W	VID LSB	VIDL	24h	0x00
01h	R/W	VID MSB	VIDM	04h	0x00
02h	R/W	PID LSB	PIDL	17h	0x00
03h	R/W	PID MSB	PIDM	25h	0x00
04h	R/W	DID LSB	DIDL	00h	0x00
05h	R/W	DID MSB	DIDM	00h	0x00

**Table 7.1 Internal Default, EEPROM and SMBus Register Memory Map (continued)**

<b>REG ADDR</b>	<b>R/W</b>	<b>REGISTER NAME</b>	<b>ABBR</b>	<b>INTERNAL DEFAULT ROM</b>	<b>SMBUS AND EEPROM POR VALUES</b>
06h	R/W	Config Data Byte 1	CFG1	9Bh	0x00
07h	R/W	Config Data Byte 2	CFG2	20h	0x00
08h	R/W	Config Data Byte 3	CFG3	00h	0x00
09h	R/W	Non-Removable Devices	NRD	00h	0x00
0Ah	R/W	Port Disable (Self)	PDS	00h	0x00
0Bh	R/W	Port Disable (Bus)	PDB	00h	0x00
0Ch	R/W	Max Power (Self)	MAXPS	01h	0x00
0Dh	R/W	Max Power (Bus)	MAXPB	32h	0x00
0Eh	R/W	Hub Controller Max Current (Self)	HCMCS	01h	0x00
0Fh	R/W	Hub Controller Max Current (Bus)	HCMCB	32h	0x00
10h	R/W	Power-on Time	PWRT	32h	0x00
11h	R/W	LANG_ID_H	LANGIDH	00h	0x00
12h	R/W	LANG_ID_L	LANGIDL	00h	0x00
13h	R/W	MFR_STR_LEN	MFRSL	00h	0x00
14h	R/W	PRD_STR_LEN	PRDSL	00h	0x00
15h	R/W	SER_STR_LEN	SERSL	00h	0x00
16h-53h	R/W	MFR_STR	MANSTR	00h	0x00
54h-91h	R/W	PROD_STR	PRDSTR	00h	0x00
92h-Cfh	R/W	SER_STR	SERSTR	00h	0x00
D0h-F5h	R/W	Reserved	N/A	00h	0x00
F6h	R/W	Boost_Up	BOOSTUP	00h	0x00
F7h	R/W	Boost_7:5	BOOST75	00h	0x00
F8h	R/W	Boost_4:0	BOOST40	00h	0x00
F9h	R/W	Reserved	N/A	00h	0x00
FAh	R/W	Port Swap	PRTSP	00h	0x00
FBh	R/W	Port Remap 12	PRTR12	00h	0x00
FCh	R/W	Port Remap 34	PRTR34	00h	0x00
FDh	R/W	Port Remap 56	PRTR56	00h	0x00

Table 7.1 Internal Default, EEPROM and SMBus Register Memory Map (continued)

REG ADDR	R/W	REGISTER NAME	ABBR	INTERNAL DEFAULT ROM	SMBUS AND EEPROM POR VALUES
FEh	R/W	Port Remap 7	PRTR7	00h	0x00
FFh	R/W	Status/Command <b>Note:</b> SMBus register only	STCD	00h	0x00

#### 7.2.1.1 Register 00h: Vendor ID (LSB)

BIT NUMBER	BIT NAME	DESCRIPTION
7:0	VID_LSB	Least Significant Byte of the Vendor ID. This is a 16-bit value that uniquely identifies the Vendor of the user device (assigned by USB-Interface Forum). This field is set by the OEM using either the SMBus or EEPROM interface options.

#### 7.2.1.2 Register 01h: Vendor ID (MSB)

BIT NUMBER	BIT NAME	DESCRIPTION
7:0	VID_MSB	Most Significant Byte of the Vendor ID. This is a 16-bit value that uniquely identifies the Vendor of the user device (assigned by USB-Interface Forum). This field is set by the OEM using either the SMBus or EEPROM interface options.

#### 7.2.1.3 Register 02h: Product ID (LSB)

BIT NUMBER	BIT NAME	DESCRIPTION
7:0	PID_LSB	Least Significant Byte of the Product ID. This is a 16-bit value that the Vendor can assign that uniquely identifies this particular product (assigned by OEM). This field is set by the OEM using either the SMBus or EEPROM interface options.

#### 7.2.1.4 Register 03h: Product ID (MSB)

BIT NUMBER	BIT NAME	DESCRIPTION
7:0	PID_MSB	Most Significant Byte of the Product ID. This is a 16-bit value that the Vendor can assign that uniquely identifies this particular product (assigned by OEM). This field is set by the OEM using either the SMBus or EEPROM interface options.

**7.2.1.5 Register 04h: Device ID (LSB)**

BIT NUMBER	BIT NAME	DESCRIPTION
7:0	DID_LSB	Least Significant Byte of the Device ID. This is a 16-bit device release number in BCD format (assigned by OEM). This field is set by the OEM using either the SMBus or EEPROM interface options.

**7.2.1.6 Register 05h: Device ID (MSB)**

BIT NUMBER	BIT NAME	DESCRIPTION
7:0	DID_MSB	Most Significant Byte of the Device ID. This is a 16-bit device release number in BCD format (assigned by OEM). This field is set by the OEM using either the SMBus or EEPROM interface options.

**7.2.1.7 Register 06h: CONFIG\_BYTE\_1**

BIT NUMBER	BIT NAME	DESCRIPTION
7	SELF_BUS_PWR	<p>Self or Bus Power: Selects between Self- and Bus-Powered operation.</p> <p>The Hub is either Self-Powered (draws less than 2mA of upstream bus power) or Bus-Powered (limited to a 100mA maximum of upstream power prior to being configured by the host controller).</p> <p>When configured as a Bus-Powered device, the SMSC Hub consumes less than 100mA of current prior to being configured. After configuration, the Bus-Powered SMSC Hub (along with all associated hub circuitry, any embedded devices if part of a compound device, and 100mA per externally available downstream port) must consume no more than 500mA of upstream VBUS current. The current consumption is system dependent, and the OEM must ensure that the USB 2.0 specifications are not violated.</p> <p>When configured as a Self-Powered device, &lt;1mA of upstream VBUS current is consumed and all ports are available, with each port being capable of sourcing 500mA of current.</p> <p>This field is set by the OEM using either the SMBus or EEPROM interface options.</p> <p>Please see the description under Dynamic Power for the self/bus power functionality when dynamic power switching is enabled.</p> <p>0 = Bus-Powered operation 1 = Self-Powered operation</p> <p><b>Note:</b> If Dynamic Power Switching is enabled, this bit is ignored and the LOCAL_PWR pin is used to determine if the hub is operating from self or bus power.</p>
6	Reserved	Reserved
5	HS_DISABLE	<p>High Speed Disable: Disables the capability to attach as either a High/Full-speed device, and forces attachment as Full-speed only (i.e. no Hi-Speed support).</p> <p>0 = High-/Full-Speed 1 = Full-Speed-Only (Hi-Speed disabled!)</p>

BIT NUMBER	BIT NAME	DESCRIPTION
4	MTT_ENABLE	Multi-TT enable: Enables one transaction translator per port operation.  Selects between a mode where only one transaction translator is available for all ports (Single-TT), or each port gets a dedicated transaction translator (Multi-TT) {Note: The host may force single-TT mode only}.  0 = single TT for all ports 1 = one TT per port (multiple TT's supported)
3	EOP_DISABLE	EOP Disable: Disables EOP generation of EOF1 when in Full-Speed mode. During FS operation only, this permits the Hub to send EOP if no downstream traffic is detected at EOF1. See Section 11.3.1 of the USB 2.0 Specification for additional details. Note: generation of an EOP at the EOF1 point may prevent a Host controller (operating in FS mode) from placing the USB bus in suspend.  0 = EOP generation is normal 1 = EOP generation is disabled
2:1	CURRENT_SNS	Over-current Sense: Selects current sensing on a port-by-port basis, all ports ganged, or none (only for bus-powered hubs). The ability to support current sensing on a port or ganged basis is hardware implementation dependent.  00 = Ganged sensing (all ports together) 01 = Individual port-by-port 1x = Over-current sensing not supported (must only be used with Bus-Powered configurations!)
0	PORT_PWR	Port Power Switching: Enables power switching on all ports simultaneously (ganged), or port power is individually switched on and off on a port-by-port basis (individual). The ability to support power enabling on a port or ganged basis is hardware implementation dependent.  0 = Ganged switching (all ports together) 1 = Individual port-by-port switching

#### 7.2.1.8 Register 07h: Configuration Data Byte 2

BIT NUMBER	BIT NAME	DESCRIPTION
7	DYNAMIC	Dynamic Power Enable: Controls the ability of the Hub to automatically change from Self-Powered operation to Bus-Powered operation if the local power source is removed or is unavailable (and from Bus-Powered to Self-Powered if the local power source is restored). {Note: If the local power source is available, the Hub will always switch to Self-Powered operation.} When Dynamic Power switching is enabled, the Hub detects the availability of a local power source by monitoring the external LOCAL_PWR pin. If the Hub detects a change in power source availability, the Hub immediately disconnects and removes power from all downstream devices and disconnects the upstream port. The Hub will then re-attach to the upstream port as either a Bus-Powered Hub (if local-power is unavailable) or a Self-Powered Hub (if local power is available).  0 = No Dynamic auto-switching 1 = Dynamic Auto-switching capable
6	Reserved	Reserved

BIT NUMBER	BIT NAME	DESCRIPTION
5:4	OC_TIMER	Over-Current Timer: Over-Current Timer delay. 00 = 0.1ms 01 = 4ms 10 = 8ms 11 = 16ms
3	COMPOUND	Compound Device: Allows the OEM to indicate that the Hub is part of a compound (see the USB Specification for definition) device. The applicable port(s) must also be defined as having a "Non-Removable Device". <b>Note:</b> When configured via strapping options, declaring a port as non-removable automatically causes the hub controller to report that it is part of a compound device. 0 = No 1 = Yes, Hub is part of a compound device
2:0	Reserved	Reserved

#### 7.2.1.9 Register 08h: Configuration Data Byte 3

BIT NUMBER	BIT NAME	DESCRIPTION
7:4	Reserved	Reserved
3	PRTMAP_EN	Port Re-mapping enable: Selects the method used by the hub to assign port numbers and disable ports. '0' = Standard Mode '1' = Port Re-map mode
2:1	LED_MODE	LED Mode Selection: The LED_A[7:1]_N and LED_B[7:1]_N pins support several different modes of operation. '00' = USB Mode '01' = Speed Indication Mode '10' = Same as '00', USB Mode '11' = Same as '00', USB Mode  Warning: Do not enable an LED mode that requires LED pins that are not available in the specific package being used in the implementation! <b>Note:</b> The Hub will only report that it supports LED's to the host when USB mode is selected. All other modes will be reported as No LED Support.
0	STRING_EN	Enables String Descriptor Support '0' = String Support Disabled '1' = String Support Enabled



**7.2.1.10 Register 09h: Non-Removable Device**

BIT NUMBER	BIT NAME	DESCRIPTION
7:0	NR_DEVICE	<p>Non-Removable Device: Indicates which port(s) include non-removable devices. '0' = port is removable, '1' = port is non-removable.</p> <p>Informs the Host if one of the active ports has a permanent device that is undetachable from the Hub. (Note: The device must provide its own descriptor data.)</p> <p>When using the internal default option, the NON_REM[1:0] pins will designate the appropriate ports as being non- removable.</p> <p>Bit 7= 1; Port 7 non-removable            Bit 6= 1; Port 6 non-removable            Bit 5= 1; Port 5 non-removable            Bit 4= 1; Port 4 non-removable            Bit 3= 1; Port 3 non-removable            Bit 2= 1; Port 2 non-removable            Bit 1= 1; Port 1 non-removable            Bit 0 is Reserved, always = '0'</p>

**7.2.1.11 Register 0Ah: Port Disable For Self Powered Operation**

BIT NUMBER	BIT NAME	DESCRIPTION
7:0	PORT_DIS_SP	<p>Port Disable Self-Powered: Disables 1 or more contiguous ports. '0' = port is available, '1' = port is disabled.</p> <p>During Self-Powered operation when remapping mode is disabled (PRTMAP_EN='0'), this selects the ports which will be permanently disabled, and are not available to be enabled or enumerated by a Host Controller. The ports can be disabled in any order, the internal logic will automatically report the correct number of enabled ports to the USB Host, and will reorder the active ports in order to ensure proper function.</p> <p>Bit 7= 1; Port 7 is disabled            Bit 6= 1; Port 6 is disabled            Bit 5= 1; Port 5 is disabled            Bit 4= 1; Port 4 is disabled            Bit 3= 1; Port 3 is disabled            Bit 2= 1; Port 2 is disabled            Bit 1= 1; Port 1 is disabled            Bit 0 is Reserved, always = '0'</p>

**7.2.1.12 Register 0Bh: Port Disable For Bus Powered Operation**

BIT NUMBER	BIT NAME	DESCRIPTION
7:0	PORT_DIS_BP	<p>Port Disable Bus-Powered: Disables 1 or more contiguous ports. '0' = port is available, '1' = port is disabled.</p> <p>During Self-Powered operation when remapping mode is disabled (PRTMAP_EN='0'), this selects the ports which will be permanently disabled, and are not available to be enabled or enumerated by a Host Controller. The ports can be disabled in any order, the internal logic will automatically report the correct number of enabled ports to the USB Host, and will reorder the active ports in order to ensure proper function.</p> <p>When using the internal default option, the PRT_DIS_P[7:1] and PRT_DIS_M[7:1] pins will disable the appropriate ports.</p> <p>Bit 7= 1; Port 7 is disabled            Bit 6= 1; Port 6 is disabled            Bit 5= 1; Port 5 is disabled            Bit 4= 1; Port 4 is disabled            Bit 3= 1; Port 3 is disabled            Bit 2= 1; Port 2 is disabled            Bit 1= 1; Port 1 is disabled            Bit 0 is Reserved, always = '0'</p>

**7.2.1.13 Register 0Ch: Max Power For Self Powered Operation**

BIT NUMBER	BIT NAME	DESCRIPTION
7:0	MAX_PWR_SP	<p>Max Power Self_Powered: Value in 2mA increments that the Hub consumes from an upstream port (VBUS) when operating as a self-powered hub. This value includes the hub silicon along with the combined power consumption (from VBUS) of all associated circuitry on the board. This value also includes the power consumption of a permanently attached peripheral if the hub is configured as a compound device, and the embedded peripheral reports 0mA in its descriptors.</p> <p><b>Note:</b> The USB 2.0 Specification does not permit this value to exceed 100mA.</p>

**7.2.1.14 Register 0Dh: Max Power For Bus Powered Operation**

BIT NUMBER	BIT NAME	DESCRIPTION
7:0	MAX_PWR_BP	<p>Max Power Bus_Powered: Value in 2mA increments that the Hub consumes from an upstream port (VBUS) when operating as a bus-powered hub. This value includes the hub silicon along with the combined power consumption (from VBUS) of all associated circuitry on the board. This value also includes the power consumption of a permanently attached peripheral if the hub is configured as a compound device, and the embedded peripheral reports 0mA in its descriptors.</p>

**7.2.1.15 Register 0Eh: Hub Controller Max Current For Self Powered Operation**

BIT NUMBER	BIT NAME	DESCRIPTION
7:0	HC_MAX_C_SP	<p>Hub Controller Max Current Self-Powered: Value in 2mA increments that the Hub consumes from an upstream port (VBUS) when operating as a self-powered hub. This value includes the hub silicon along with the combined power consumption (from VBUS) of all associated circuitry on the board. This value does NOT include the power consumption of a permanently attached peripheral if the hub is configured as a compound device.</p> <p><b>Note:</b> The USB 2.0 Specification does not permit this value to exceed 100mA.</p> <p>A value of 50 (decimal) indicates 100mA, which is the default value.</p>

**7.2.1.16 Register 0Fh: Hub Controller Max Current For Bus Powered Operation**

BIT NUMBER	BIT NAME	DESCRIPTION
7:0	HC_MAX_C_BP	<p>Hub Controller Max Current Bus-Powered: Value in 2mA increments that the Hub consumes from an upstream port (VBUS) when operating as a bus-powered hub. This value will include the hub silicon along with the combined power consumption (from VBUS) of all associated circuitry on the board. This value will NOT include the power consumption of a permanently attached peripheral if the hub is configured as a compound device.</p> <p>A value of 50 (decimal) would indicate 100mA, which is the default value.</p>

**7.2.1.17 Register 10h: Power-On Time**

BIT NUMBER	BIT NAME	DESCRIPTION
7:0	POWER_ON_TIME	<p>Power On Time: The length of time that it takes (in 2 ms intervals) from the time the host initiated power-on sequence begins on a port until power is stable on that port.</p>

**7.2.1.18 Register 11h: Language ID High**

BIT NUMBER	BIT NAME	DESCRIPTION
7:0	LANG_ID_H	USB LANGUAGE ID (Upper 8 bits of a 16 bit ID field)

**7.2.1.19 Register 12h: Language ID Low**

BIT NUMBER	BIT NAME	DESCRIPTION
7:0	LANG_ID_L	USB LANGUAGE ID (Lower 8 bits of a 16 bit ID field)

**7.2.1.20 Register 13h: Manufacturer String Length**

BIT NUMBER	BIT NAME	DESCRIPTION
7:0	MFR_STR_LEN	Manufacturer String Length Maximum string length is 31 characters

**7.2.1.21 Register 14h: Product String Length**

BIT NUMBER	BIT NAME	DESCRIPTION
7:0	PRD_STR_LEN	Product String Length Maximum string length is 31 characters

**7.2.1.22 Register 15h: Serial String Length**

BIT NUMBER	BIT NAME	DESCRIPTION
7:0	SER_STR_LEN	Serial String Length Maximum string length is 31 characters

**7.2.1.23 Register 16h-53h: Manufacturer String**

BIT NUMBER	BIT NAME	DESCRIPTION
7:0	MFR_STR	Manufacturer String, UNICODE UTF-16LE per USB 2.0 Specification Maximum string length is 31 characters (62 bytes) <b>Note:</b> The string consists of individual 16 Bit UNICODE UTF-16LE characters. The characters will be stored starting with the LSB at the least significant address and the MSB at the next 8-bit location (subsequent characters must be stored in sequential contiguous address in the same LSB, MSB manner). Some EEPROM programmers may transpose the MSB and LSB, thus reversing the Byte order. Please pay careful attention to the byte ordering or your selected programming tools.

**7.2.1.24 Register 54h-91h: Product String**

BIT NUMBER	BIT NAME	DESCRIPTION
7:0	PRD_STR	<p>Product String, UNICODE UTF-16LE per USB 2.0 Specification</p> <p>Maximum string length is 31 characters (62 bytes)</p> <p><b>Note:</b> The string consists of individual 16 Bit UNICODE UTF-16LE characters. The characters will be stored starting with the LSB at the least significant address and the MSB at the next 8-bit location (subsequent characters must be stored in sequential contiguous address in the same LSB, MSB manner). Some EEPROM programmers may transpose the MSB and LSB, thus reversing the Byte order. Please pay careful attention to the byte ordering or your selected programming tools.</p>

**7.2.1.25 Register 92h-CFh: Serial String**

BIT NUMBER	BIT NAME	DESCRIPTION
7:0	SER_STR	<p>Serial String, UNICODE UTF16LE per USB 2.0 Specification</p> <p>Maximum string length is 31 characters (62 bytes)</p> <p><b>Note:</b> The string consists of individual 16 Bit UNICODE UTF-16LE characters. The characters will be stored starting with the LSB at the least significant address and the MSB at the next 8-bit location (subsequent characters must be stored in sequential contiguous address in the same LSB, MSB manner). Some EEPROM programmers may transpose the MSB and LSB, thus reversing the Byte order. Please pay careful attention to the byte ordering or your selected programming tools.</p>

**7.2.1.26 Register F6h: Boost\_Up**

BIT NUMBER	BIT NAME	DESCRIPTION
7:2	Reserved	Reserved
1:0	BOOST_IOUT	<p>USB electrical signaling drive strength Boost Bit for Upstream Port.</p> <p>'00' = Normal electrical drive strength = No boost            '01' = Elevated electrical drive strength = Low (approximately 4% boost)            '10' = Elevated electrical drive strength = Medium (approximately 8% boost)            '11' = Elevated electrical drive strength = High (approximately 12% boost)</p> <p><b>Note:</b> "Boost" could result in non-USB Compliant parameters (one example would be Test J/K levels), the OEM should use a '00' value unless specific implementation issues require additional signal boosting to correct for degraded USB signalling levels.</p>

**7.2.1.27 Register F7h: Boost\_7:5 (Reset = 0x00)**

BIT NUMBER	BIT NAME	DESCRIPTION
------------	----------	-------------

7:6	Reserved	Reserved
5:4	BOOST_IOUT_7	USB electrical signaling drive strength Boost Bit for Downstream Port '7'. '00' = Normal electrical drive strength '01' = Elevated electrical drive strength (+4% boost) '10' = Elevated electrical drive strength (+8% boost) '11' = Elevated electrical drive strength (+12% boost)
3:2	BOOST_IOUT_6	USB electrical signaling drive strength Boost Bit for Downstream Port '6'. '00' = Normal electrical drive strength '01' = Elevated electrical drive strength (+4% boost) '10' = Elevated electrical drive strength (+8% boost) '11' = Elevated electrical drive strength (+12% boost)
1:0	BOOST_IOUT_5	USB electrical signaling drive strength Boost Bit for Downstream Port '5'. '00' = Normal electrical drive strength '01' = Elevated electrical drive strength (+4% boost) '10' = Elevated electrical drive strength (+8% boost) '11' = Elevated electrical drive strength (+12% boost)

### 7.2.1.28 Register F8h: Boost\_4:0

BIT NUMBER	BIT NAME	DESCRIPTION
7:6	BOOST_IOUT_4	USB electrical signaling drive strength Boost Bit for Downstream Port '4'. '00' = Normal electrical drive strength = No boost '01' = Elevated electrical drive strength = Low (approximately 4% boost) '10' = Elevated electrical drive strength = Medium (approximately 8% boost) '11' = Elevated electrical drive strength = High (approximately 12% boost) <b>Note:</b> "Boost" could result in non-USB Compliant parameters (one example would be Test J/K levels), the OEM should use a '00' value unless specific implementation issues require additional signal boosting to correct for degraded USB signalling levels.
5:4	BOOST_IOUT_3	USB electrical signaling drive strength Boost Bit for Downstream Port '3'. '00' = Normal electrical drive strength = No boost '01' = Elevated electrical drive strength = Low (approximately 4% boost) '10' = Elevated electrical drive strength = Medium (approximately 8% boost) '11' = Elevated electrical drive strength = High (approximately 12% boost) <b>Note:</b> "Boost" could result in non-USB Compliant parameters (one example would be Test J/K levels), the OEM should use a '00' value unless specific implementation issues require additional signal boosting to correct for degraded USB signalling levels.
3:2	BOOST_IOUT_2	USB electrical signaling drive strength Boost Bit for Downstream Port '2'. '00' = Normal electrical drive strength = No boost '01' = Elevated electrical drive strength = Low (approximately 4% boost) '10' = Elevated electrical drive strength = Medium (approximately 8% boost) '11' = Elevated electrical drive strength = High (approximately 12% boost) <b>Note:</b> "Boost" could result in non-USB Compliant parameters (one example would be Test J/K levels), the OEM should use a '00' value unless specific implementation issues require additional signal boosting to correct for degraded USB signalling levels.

BIT NUMBER	BIT NAME	DESCRIPTION
1:0	BOOST_IOUT_1	<p>USB electrical signaling drive strength Boost Bit for Downstream Port '1'.</p> <p>'00' = Normal electrical drive strength = No boost            '01' = Elevated electrical drive strength = Low (approximately 4% boost)            '10' = Elevated electrical drive strength = Medium (approximately 8% boost)            '11' = Elevated electrical drive strength = High (approximately 12% boost)</p> <p><b>Note:</b> "Boost" could result in non-USB Compliant parameters (one example would be Test J/K levels), the OEM should use a '00' value unless specific implementation issues require additional signal boosting to correct for degraded USB signalling levels.</p>

### 7.2.1.29 Register FAh: Port Swap

BIT NUMBER	BIT NAME	DESCRIPTION
7:0	PRTSP	<p>Port Swap: Swaps the Upstream and Downstream USB DP and DM Pins for ease of board routing to devices and connectors.</p> <p>'0' = USB D+ functionality is associated with the DP pin and D- functionality is associated with the DM pin.</p> <p>'1' = USB D+ functionality is associated with the DM pin and D- functionality is associated with the DP pin.</p> <p>Bit 7= '1': Port 7 DP/DM is swapped.            Bit 6= '1': Port 6 DP/DM is swapped.            Bit 5= '1': Port 5 DP/DM is swapped.            Bit 4= '1': Port 4 DP/DM is swapped.            Bit 3= '1': Port 3 DP/DM is swapped.            Bit 2= '1': Port 2 DP/DM is swapped.            Bit 1= '1': Port 1 DP/DM is swapped.            Bit 0= '1': Upstream Port DP/DM is swapped</p>

**7.2.1.30 Register FBh: Port Remap 12**

BIT NUMBER	BIT NAME	DESCRIPTION																																																									
7:0	PRTR12	<p>Port remap register for ports 1 &amp; 2</p> <p>When a hub is enumerated by a USB Host Controller, the hub is only permitted to report how many ports it has; the hub is not permitted to select a numerical range or assignment. The Host Controller will number the downstream ports of the hub starting with the number '1', up to the number of ports that the hub recognizes.</p> <p>The host's port number is referred to as "Logical Port Number" and the physical port on the hub is the "Physical Port Number". When remapping mode is enabled (see PRTMAP_EN in Register 08h: Configuration Data Byte 3) the hub's downstream port numbers can be remapped to different logical port numbers (assigned by the host).</p> <p><b>Note:</b> The OEM must ensure that Contiguous Logical Port Numbers are used, starting from #1 up to the maximum number of enabled ports; this ensures that the hub's ports are numbered in accordance with the way a Host will communicate with the ports.</p> <p style="text-align: center;"><b>Table 7.2 Port Remap Register for Ports 1 &amp; 2</b></p> <table border="1" style="width: 100%; border-collapse: collapse;"> <thead> <tr> <th style="width: 15%;">Bit [7:4]</th> <th style="width: 15%;">Value</th> <th style="width: 70%;">Description</th> </tr> </thead> <tbody> <tr> <td></td> <td>'0000'</td> <td>Physical Port 2 is Disabled</td> </tr> <tr> <td></td> <td>'0001'</td> <td>Physical Port 2 is mapped to Logical Port 1</td> </tr> <tr> <td></td> <td>'0010'</td> <td>Physical Port 2 is mapped to Logical Port 2</td> </tr> <tr> <td></td> <td>'0011'</td> <td>Physical Port 2 is mapped to Logical Port 3</td> </tr> <tr> <td></td> <td>'0100'</td> <td>Physical Port 2 is mapped to Logical Port 4</td> </tr> <tr> <td></td> <td>'0101'</td> <td>Physical Port 2 is mapped to Logical Port 5</td> </tr> <tr> <td></td> <td>'0110'</td> <td>Physical Port 2 is mapped to Logical Port 6</td> </tr> <tr> <td></td> <td>'0111'</td> <td>Physical Port 2 is mapped to Logical Port 7</td> </tr> <tr> <td></td> <td>'1000' to '1111'</td> <td>Reserved, will default to '0000' value</td> </tr> <tr> <td>Bit [3:0]</td> <td>'0000'</td> <td>Physical Port 1 is Disabled</td> </tr> <tr> <td></td> <td>'0001'</td> <td>Physical Port 1 is mapped to Logical Port 1</td> </tr> <tr> <td></td> <td>'0010'</td> <td>Physical Port 1 is mapped to Logical Port 2</td> </tr> <tr> <td></td> <td>'0011'</td> <td>Physical Port 1 is mapped to Logical Port 3</td> </tr> <tr> <td></td> <td>'0100'</td> <td>Physical Port 1 is mapped to Logical Port 4</td> </tr> <tr> <td></td> <td>'0101'</td> <td>Physical Port 1 is mapped to Logical Port 5</td> </tr> <tr> <td></td> <td>'0110'</td> <td>Physical Port 1 is mapped to Logical Port 6</td> </tr> <tr> <td></td> <td>'0111'</td> <td>Physical Port 1 is mapped to Logical Port 7</td> </tr> <tr> <td></td> <td>'1000' to '1111'</td> <td>Reserved, will default to '0000' value</td> </tr> </tbody> </table>	Bit [7:4]	Value	Description		'0000'	Physical Port 2 is Disabled		'0001'	Physical Port 2 is mapped to Logical Port 1		'0010'	Physical Port 2 is mapped to Logical Port 2		'0011'	Physical Port 2 is mapped to Logical Port 3		'0100'	Physical Port 2 is mapped to Logical Port 4		'0101'	Physical Port 2 is mapped to Logical Port 5		'0110'	Physical Port 2 is mapped to Logical Port 6		'0111'	Physical Port 2 is mapped to Logical Port 7		'1000' to '1111'	Reserved, will default to '0000' value	Bit [3:0]	'0000'	Physical Port 1 is Disabled		'0001'	Physical Port 1 is mapped to Logical Port 1		'0010'	Physical Port 1 is mapped to Logical Port 2		'0011'	Physical Port 1 is mapped to Logical Port 3		'0100'	Physical Port 1 is mapped to Logical Port 4		'0101'	Physical Port 1 is mapped to Logical Port 5		'0110'	Physical Port 1 is mapped to Logical Port 6		'0111'	Physical Port 1 is mapped to Logical Port 7		'1000' to '1111'	Reserved, will default to '0000' value
Bit [7:4]	Value	Description																																																									
	'0000'	Physical Port 2 is Disabled																																																									
	'0001'	Physical Port 2 is mapped to Logical Port 1																																																									
	'0010'	Physical Port 2 is mapped to Logical Port 2																																																									
	'0011'	Physical Port 2 is mapped to Logical Port 3																																																									
	'0100'	Physical Port 2 is mapped to Logical Port 4																																																									
	'0101'	Physical Port 2 is mapped to Logical Port 5																																																									
	'0110'	Physical Port 2 is mapped to Logical Port 6																																																									
	'0111'	Physical Port 2 is mapped to Logical Port 7																																																									
	'1000' to '1111'	Reserved, will default to '0000' value																																																									
Bit [3:0]	'0000'	Physical Port 1 is Disabled																																																									
	'0001'	Physical Port 1 is mapped to Logical Port 1																																																									
	'0010'	Physical Port 1 is mapped to Logical Port 2																																																									
	'0011'	Physical Port 1 is mapped to Logical Port 3																																																									
	'0100'	Physical Port 1 is mapped to Logical Port 4																																																									
	'0101'	Physical Port 1 is mapped to Logical Port 5																																																									
	'0110'	Physical Port 1 is mapped to Logical Port 6																																																									
	'0111'	Physical Port 1 is mapped to Logical Port 7																																																									
	'1000' to '1111'	Reserved, will default to '0000' value																																																									



**7.2.1.31 Register FCh: Port Remap 34**

BIT NUMBER	BIT NAME	DESCRIPTION																																						
7:0	PRTR34	<p>Port remap register for ports 3 &amp; 4</p> <p>When a hub is enumerated by a USB Host Controller, the hub is only permitted to report how many ports it has; the hub is not permitted to select a numerical range or assignment. The Host Controller will number the downstream ports of the hub starting with the number '1', up to the number of ports that the hub recognizes.</p> <p>The host's port number is referred to as "Logical Port Number" and the physical port on the hub is the "Physical Port Number". When remapping mode is enabled (see PRTMAP_EN in Register 08h: Configuration Data Byte 3) the hub's downstream port numbers can be remapped to different logical port numbers (assigned by the host).</p> <p><b>Note:</b> The OEM must ensure that Contiguous Logical Port Numbers are used, starting from #1 up to the maximum number of enabled ports; this ensures that the hub's ports are numbered in accordance with the way a Host will communicate with the ports.</p> <p style="text-align: center;"><b>Table 7.3 Port Remap Register for Ports 3 &amp; 4</b></p> <table border="1" style="width: 100%; border-collapse: collapse;"> <tbody> <tr> <td data-bbox="594 871 787 1375" rowspan="9">Bit [7:4]</td> <td data-bbox="787 871 889 919">'0000'</td> <td data-bbox="889 871 1419 919">Physical Port 4 is Disabled</td> </tr> <tr> <td data-bbox="787 919 889 968">'0001'</td> <td data-bbox="889 919 1419 968">Physical Port 4 is mapped to Logical Port 1</td> </tr> <tr> <td data-bbox="787 968 889 1016">'0010'</td> <td data-bbox="889 968 1419 1016">Physical Port 4 is mapped to Logical Port 2</td> </tr> <tr> <td data-bbox="787 1016 889 1064">'0011'</td> <td data-bbox="889 1016 1419 1064">Physical Port 4 is mapped to Logical Port 3</td> </tr> <tr> <td data-bbox="787 1064 889 1113">'0100'</td> <td data-bbox="889 1064 1419 1113">Physical Port 4 is mapped to Logical Port 4</td> </tr> <tr> <td data-bbox="787 1113 889 1161">'0101'</td> <td data-bbox="889 1113 1419 1161">Physical Port 4 is mapped to Logical Port 5</td> </tr> <tr> <td data-bbox="787 1161 889 1209">'0110'</td> <td data-bbox="889 1161 1419 1209">Physical Port 4 is mapped to Logical Port 6</td> </tr> <tr> <td data-bbox="787 1209 889 1257">'0111'</td> <td data-bbox="889 1209 1419 1257">Physical Port 4 is mapped to Logical Port 7</td> </tr> <tr> <td data-bbox="787 1257 889 1375">'1000' to '1111'</td> <td data-bbox="889 1257 1419 1375">Reserved, will default to '0000' value</td> </tr> <tr> <td data-bbox="594 1375 787 1879" rowspan="9">Bit [3:0]</td> <td data-bbox="787 1375 889 1423">'0000'</td> <td data-bbox="889 1375 1419 1423">Physical Port 3 is Disabled</td> </tr> <tr> <td data-bbox="787 1423 889 1472">'0001'</td> <td data-bbox="889 1423 1419 1472">Physical Port 3 is mapped to Logical Port 1</td> </tr> <tr> <td data-bbox="787 1472 889 1520">'0010'</td> <td data-bbox="889 1472 1419 1520">Physical Port 3 is mapped to Logical Port 2</td> </tr> <tr> <td data-bbox="787 1520 889 1568">'0011'</td> <td data-bbox="889 1520 1419 1568">Physical Port 3 is mapped to Logical Port 3</td> </tr> <tr> <td data-bbox="787 1568 889 1617">'0100'</td> <td data-bbox="889 1568 1419 1617">Physical Port 3 is mapped to Logical Port 4</td> </tr> <tr> <td data-bbox="787 1617 889 1665">'0101'</td> <td data-bbox="889 1617 1419 1665">Physical Port 3 is mapped to Logical Port 5</td> </tr> <tr> <td data-bbox="787 1665 889 1713">'0110'</td> <td data-bbox="889 1665 1419 1713">Physical Port 3 is mapped to Logical Port 6</td> </tr> <tr> <td data-bbox="787 1713 889 1761">'0111'</td> <td data-bbox="889 1713 1419 1761">Physical Port 3 is mapped to Logical Port 7</td> </tr> <tr> <td data-bbox="787 1761 889 1879">'1000' to '1111'</td> <td data-bbox="889 1761 1419 1879">Reserved, will default to '0000' value</td> </tr> </tbody> </table>	Bit [7:4]	'0000'	Physical Port 4 is Disabled	'0001'	Physical Port 4 is mapped to Logical Port 1	'0010'	Physical Port 4 is mapped to Logical Port 2	'0011'	Physical Port 4 is mapped to Logical Port 3	'0100'	Physical Port 4 is mapped to Logical Port 4	'0101'	Physical Port 4 is mapped to Logical Port 5	'0110'	Physical Port 4 is mapped to Logical Port 6	'0111'	Physical Port 4 is mapped to Logical Port 7	'1000' to '1111'	Reserved, will default to '0000' value	Bit [3:0]	'0000'	Physical Port 3 is Disabled	'0001'	Physical Port 3 is mapped to Logical Port 1	'0010'	Physical Port 3 is mapped to Logical Port 2	'0011'	Physical Port 3 is mapped to Logical Port 3	'0100'	Physical Port 3 is mapped to Logical Port 4	'0101'	Physical Port 3 is mapped to Logical Port 5	'0110'	Physical Port 3 is mapped to Logical Port 6	'0111'	Physical Port 3 is mapped to Logical Port 7	'1000' to '1111'	Reserved, will default to '0000' value
Bit [7:4]	'0000'	Physical Port 4 is Disabled																																						
	'0001'	Physical Port 4 is mapped to Logical Port 1																																						
	'0010'	Physical Port 4 is mapped to Logical Port 2																																						
	'0011'	Physical Port 4 is mapped to Logical Port 3																																						
	'0100'	Physical Port 4 is mapped to Logical Port 4																																						
	'0101'	Physical Port 4 is mapped to Logical Port 5																																						
	'0110'	Physical Port 4 is mapped to Logical Port 6																																						
	'0111'	Physical Port 4 is mapped to Logical Port 7																																						
	'1000' to '1111'	Reserved, will default to '0000' value																																						
Bit [3:0]	'0000'	Physical Port 3 is Disabled																																						
	'0001'	Physical Port 3 is mapped to Logical Port 1																																						
	'0010'	Physical Port 3 is mapped to Logical Port 2																																						
	'0011'	Physical Port 3 is mapped to Logical Port 3																																						
	'0100'	Physical Port 3 is mapped to Logical Port 4																																						
	'0101'	Physical Port 3 is mapped to Logical Port 5																																						
	'0110'	Physical Port 3 is mapped to Logical Port 6																																						
	'0111'	Physical Port 3 is mapped to Logical Port 7																																						
	'1000' to '1111'	Reserved, will default to '0000' value																																						

**7.2.1.32 Register FDh: Port Remap 56 (Reset = 0x00)**

BIT NUMBER	BIT NAME	DESCRIPTION																																						
7:0	PRTR56	<p>Port remap register for ports 5 &amp; 6.</p> <p>When a hub is enumerated by a USB Host Controller, the hub is only permitted to report how many ports it has; the hub is not permitted to select a numerical range or assignment. The Host Controller will number the downstream ports of the hub starting with the number '1', up to the number of ports that the hub recognizes.</p> <p>The host's port number is referred to as "Logical Port Number" and the physical port on the hub is the "Physical Port Number". When remapping mode is enabled (see PRTMAP_EN in Register 08h: Configuration Data Byte 3) the hub's downstream port numbers can be remapped to different logical port numbers (assigned by the host).</p> <p><b>Note:</b> The OEM must ensure that Contiguous Logical Port Numbers are used, starting from #1 up to the maximum number of enabled ports; this ensures that the hub's ports are numbered in accordance with the way a Host will communicate with the ports.</p> <p style="text-align: center;"><b>Table 7.4 Port Remap Register for Ports 5 &amp; 6</b></p> <table border="1" data-bbox="594 863 1430 1877"> <tbody> <tr> <td data-bbox="594 863 789 1367" rowspan="9">Bit [7:4]</td> <td data-bbox="789 863 894 915">'0000'</td> <td data-bbox="894 863 1430 915">Physical Port 6 is Disabled</td> </tr> <tr> <td data-bbox="789 915 894 968">'0001'</td> <td data-bbox="894 915 1430 968">Physical Port 6 is mapped to Logical Port 1</td> </tr> <tr> <td data-bbox="789 968 894 1020">'0010'</td> <td data-bbox="894 968 1430 1020">Physical Port 6 is mapped to Logical Port 2</td> </tr> <tr> <td data-bbox="789 1020 894 1073">'0011'</td> <td data-bbox="894 1020 1430 1073">Physical Port 6 is mapped to Logical Port 3</td> </tr> <tr> <td data-bbox="789 1073 894 1125">'0100'</td> <td data-bbox="894 1073 1430 1125">Physical Port 6 is mapped to Logical Port 4</td> </tr> <tr> <td data-bbox="789 1125 894 1178">'0101'</td> <td data-bbox="894 1125 1430 1178">Physical Port 6 is mapped to Logical Port 5</td> </tr> <tr> <td data-bbox="789 1178 894 1230">'0110'</td> <td data-bbox="894 1178 1430 1230">Physical Port 6 is mapped to Logical Port 6</td> </tr> <tr> <td data-bbox="789 1230 894 1283">'0111'</td> <td data-bbox="894 1230 1430 1283">Physical Port 6 is mapped to Logical Port 7</td> </tr> <tr> <td data-bbox="789 1283 894 1367">'1000' to '1111'</td> <td data-bbox="894 1283 1430 1367">Reserved, will default to '0000' value</td> </tr> <tr> <td data-bbox="594 1367 789 1877" rowspan="9">Bit [3:0]</td> <td data-bbox="789 1367 894 1419">'0000'</td> <td data-bbox="894 1367 1430 1419">Physical Port 5 is Disabled</td> </tr> <tr> <td data-bbox="789 1419 894 1472">'0001'</td> <td data-bbox="894 1419 1430 1472">Physical Port 5 is mapped to Logical Port 1</td> </tr> <tr> <td data-bbox="789 1472 894 1524">'0010'</td> <td data-bbox="894 1472 1430 1524">Physical Port 5 is mapped to Logical Port 2</td> </tr> <tr> <td data-bbox="789 1524 894 1577">'0011'</td> <td data-bbox="894 1524 1430 1577">Physical Port 5 is mapped to Logical Port 3</td> </tr> <tr> <td data-bbox="789 1577 894 1629">'0100'</td> <td data-bbox="894 1577 1430 1629">Physical Port 5 is mapped to Logical Port 4</td> </tr> <tr> <td data-bbox="789 1629 894 1682">'0101'</td> <td data-bbox="894 1629 1430 1682">Physical Port 5 is mapped to Logical Port 5</td> </tr> <tr> <td data-bbox="789 1682 894 1734">'0110'</td> <td data-bbox="894 1682 1430 1734">Physical Port 5 is mapped to Logical Port 6</td> </tr> <tr> <td data-bbox="789 1734 894 1787">'0111'</td> <td data-bbox="894 1734 1430 1787">Physical Port 5 is mapped to Logical Port 7</td> </tr> <tr> <td data-bbox="789 1787 894 1877">'1000' to '1111'</td> <td data-bbox="894 1787 1430 1877">Reserved, will default to '0000' value</td> </tr> </tbody> </table>	Bit [7:4]	'0000'	Physical Port 6 is Disabled	'0001'	Physical Port 6 is mapped to Logical Port 1	'0010'	Physical Port 6 is mapped to Logical Port 2	'0011'	Physical Port 6 is mapped to Logical Port 3	'0100'	Physical Port 6 is mapped to Logical Port 4	'0101'	Physical Port 6 is mapped to Logical Port 5	'0110'	Physical Port 6 is mapped to Logical Port 6	'0111'	Physical Port 6 is mapped to Logical Port 7	'1000' to '1111'	Reserved, will default to '0000' value	Bit [3:0]	'0000'	Physical Port 5 is Disabled	'0001'	Physical Port 5 is mapped to Logical Port 1	'0010'	Physical Port 5 is mapped to Logical Port 2	'0011'	Physical Port 5 is mapped to Logical Port 3	'0100'	Physical Port 5 is mapped to Logical Port 4	'0101'	Physical Port 5 is mapped to Logical Port 5	'0110'	Physical Port 5 is mapped to Logical Port 6	'0111'	Physical Port 5 is mapped to Logical Port 7	'1000' to '1111'	Reserved, will default to '0000' value
Bit [7:4]	'0000'	Physical Port 6 is Disabled																																						
	'0001'	Physical Port 6 is mapped to Logical Port 1																																						
	'0010'	Physical Port 6 is mapped to Logical Port 2																																						
	'0011'	Physical Port 6 is mapped to Logical Port 3																																						
	'0100'	Physical Port 6 is mapped to Logical Port 4																																						
	'0101'	Physical Port 6 is mapped to Logical Port 5																																						
	'0110'	Physical Port 6 is mapped to Logical Port 6																																						
	'0111'	Physical Port 6 is mapped to Logical Port 7																																						
	'1000' to '1111'	Reserved, will default to '0000' value																																						
Bit [3:0]	'0000'	Physical Port 5 is Disabled																																						
	'0001'	Physical Port 5 is mapped to Logical Port 1																																						
	'0010'	Physical Port 5 is mapped to Logical Port 2																																						
	'0011'	Physical Port 5 is mapped to Logical Port 3																																						
	'0100'	Physical Port 5 is mapped to Logical Port 4																																						
	'0101'	Physical Port 5 is mapped to Logical Port 5																																						
	'0110'	Physical Port 5 is mapped to Logical Port 6																																						
	'0111'	Physical Port 5 is mapped to Logical Port 7																																						
	'1000' to '1111'	Reserved, will default to '0000' value																																						

**7.2.1.33 Register FEh: Port Remap 7 (Reset = 0x00)**

BIT NUMBER	BIT NAME	DESCRIPTION																							
7:0	PRTR7	<p>Port remap register for ports 7.</p> <p>When a hub is enumerated by a USB Host Controller, the hub is only permitted to report how many ports it has; the hub is not permitted to select a numerical range or assignment. The Host Controller will number the downstream ports of the hub starting with the number '1', up to the number of ports that the hub recognizes.</p> <p>The host's port number is referred to as "Logical Port Number" and the physical port on the hub is the "Physical Port Number". When remapping mode is enabled (see PRTMAP_EN in Register 08h: Configuration Data Byte 3) the hub's downstream port numbers can be remapped to different logical port numbers (assigned by the host).</p> <p><b>Note:</b> The OEM must ensure that Contiguous Logical Port Numbers are used, starting from #1 up to the maximum number of enabled ports; this ensures that the hub's ports are numbered in accordance with the way a Host will communicate with the ports.</p> <p style="text-align: center;"><b>Table 7.5 Port Remap Register for Port 7</b></p> <table border="1" data-bbox="594 936 1429 1545"> <tr> <td data-bbox="594 936 789 1041">Bit [7:4]</td> <td data-bbox="789 936 891 1041">'0000' to '1111'</td> <td data-bbox="891 936 1429 1041">Reserved</td> </tr> <tr> <td data-bbox="594 1041 789 1545" rowspan="8">Bit [3:0]</td> <td data-bbox="789 1041 891 1083">'0000'</td> <td data-bbox="891 1041 1429 1083">Physical Port 7 is Disabled</td> </tr> <tr> <td data-bbox="789 1083 891 1125">'0001'</td> <td data-bbox="891 1083 1429 1125">Physical Port 7 is mapped to Logical Port 1</td> </tr> <tr> <td data-bbox="789 1125 891 1167">'0010'</td> <td data-bbox="891 1125 1429 1167">Physical Port 7 is mapped to Logical Port 2</td> </tr> <tr> <td data-bbox="789 1167 891 1209">'0011'</td> <td data-bbox="891 1167 1429 1209">Physical Port 7 is mapped to Logical Port 3</td> </tr> <tr> <td data-bbox="789 1209 891 1251">'0100'</td> <td data-bbox="891 1209 1429 1251">Physical Port 7 is mapped to Logical Port 4</td> </tr> <tr> <td data-bbox="789 1251 891 1293">'0101'</td> <td data-bbox="891 1251 1429 1293">Physical Port 7 is mapped to Logical Port 5</td> </tr> <tr> <td data-bbox="789 1293 891 1335">'0110'</td> <td data-bbox="891 1293 1429 1335">Physical Port 7 is mapped to Logical Port 6</td> </tr> <tr> <td data-bbox="789 1335 891 1377">'0111'</td> <td data-bbox="891 1335 1429 1377">Physical Port 7 is mapped to Logical Port 7</td> </tr> <tr> <td data-bbox="789 1377 891 1545"></td> <td data-bbox="789 1377 891 1545">'1000' to '1111'</td> <td data-bbox="891 1377 1429 1545">Reserved, will default to '0000' value</td> </tr> </table>	Bit [7:4]	'0000' to '1111'	Reserved	Bit [3:0]	'0000'	Physical Port 7 is Disabled	'0001'	Physical Port 7 is mapped to Logical Port 1	'0010'	Physical Port 7 is mapped to Logical Port 2	'0011'	Physical Port 7 is mapped to Logical Port 3	'0100'	Physical Port 7 is mapped to Logical Port 4	'0101'	Physical Port 7 is mapped to Logical Port 5	'0110'	Physical Port 7 is mapped to Logical Port 6	'0111'	Physical Port 7 is mapped to Logical Port 7		'1000' to '1111'	Reserved, will default to '0000' value
Bit [7:4]	'0000' to '1111'	Reserved																							
Bit [3:0]	'0000'	Physical Port 7 is Disabled																							
	'0001'	Physical Port 7 is mapped to Logical Port 1																							
	'0010'	Physical Port 7 is mapped to Logical Port 2																							
	'0011'	Physical Port 7 is mapped to Logical Port 3																							
	'0100'	Physical Port 7 is mapped to Logical Port 4																							
	'0101'	Physical Port 7 is mapped to Logical Port 5																							
	'0110'	Physical Port 7 is mapped to Logical Port 6																							
	'0111'	Physical Port 7 is mapped to Logical Port 7																							
	'1000' to '1111'	Reserved, will default to '0000' value																							

### 7.2.1.34 Register FFh: Status/Command

BIT NUMBER	BIT NAME	DESCRIPTION
7:3	Reserved	Reserved
2	INTF_PW_DN	SMBus Interface Power Down '0' = Interface is active '1' = Interface power down after ACK has completed
1	RESET	Reset the SMBus Interface and internal memory back to RESET_N assertion default settings. '0' = Normal Run/Idle State '1' = Force a reset of registers to their default state
0	USB_ATTACH	USB Attach (and write protect) '0' = SMBus slave interface is active '1' = Hub will signal a USB attach event to an upstream device. The internal memory (address range 00h-FEh) is "write-protected" to prevent unintentional data corruption.

## 7.2.2 I<sup>2</sup>C EEPROM

The I<sup>2</sup>C EEPROM interface implements a subset of the I<sup>2</sup>C Master Specification (Please refer to the Philips Semiconductor Standard I<sup>2</sup>C-Bus Specification for details on I<sup>2</sup>C bus protocols). The Hub's I<sup>2</sup>C EEPROM interface is designed to attach to a single "dedicated" I<sup>2</sup>C EEPROM, and conforms to the Standard-mode I<sup>2</sup>C Specification (100kbit/s transfer rate and 7-bit addressing) for protocol and electrical compatibility.

**Note:** Extensions to the I<sup>2</sup>C Specification are not supported.

The Hub acts as the master and generates the serial clock SCL, controls the bus access (determines which device acts as the transmitter and which device acts as the receiver), and generates the START and STOP conditions.

### 7.2.2.1 Implementation Characteristics

The Hub will only access an EEPROM using the Sequential Read Protocol.

### 7.2.2.2 Pull-Up Resistor

The Circuit board designer is required to place external pull-up resistors (10KΩ recommended) on the SDA/SMBDATA & SCL/SMBCLK/CFG\_SELO lines (per SMBus 1.0 Specification, and EEPROM manufacturer guidelines) to Vcc in order to assure proper operation.

### 7.2.2.3 I<sup>2</sup>C EEPROM Slave Address

Slave address is 1010000.

**Note:** 10-bit addressing is NOT supported.

## 7.2.3 In-Circuit EEPROM Programming

The EEPROM can be programmed via ATE by pulling RESET\_N low (which tri-states the Hub's EEPROM interface and allows an external source to program the EEPROM).

## 7.3 SMBus Slave Interface

Instead of loading User-Defined Descriptor data from an external EEPROM, the SMSC Hub can be configured to receive a code load from an external processor via an SMBus interface. The SMBus interface shares the same pins as the EEPROM interface; if CFG\_SEL1 & CFG\_SELO activates the SMBus interface, external EEPROM support is no longer available (and the user-defined descriptor data must be downloaded via the SMBus). Due to system issues, the SMSC Hub waits indefinitely for the SMBus code load to complete and only "appears" as a newly connected device on USB after the code load is complete.

The Hub's SMBus implementation is a subset of the SMBus interface to the host. The device is a *slave-only* SMBus device. The implementation in the device is a subset of SMBus since it only supports two protocols.

The Write Block and Read Block protocols are the only valid SMBus protocols for the Hub. The Hub responds to other protocols as described in [Section 7.3.2, "Invalid Protocol Response Behavior," on page 39](#). Reference the System Management Bus Specification, Rev 1.0.

The SMBus interface is used to read and write the registers in the device. The register set is shown in [Section 7.2.1, "Internal Register Set \(Common to EEPROM and SMBus\)," on page 19](#).

### 7.3.1 Bus Protocols

Typical Write Block and Read Block protocols are shown below. Register accesses are performed using 7-bit slave addressing, an 8-bit register address field, and an 8-bit data field. The shading indicates the Hub driving data on the SMBDATA line; otherwise, host data is on the SDA/SMBDATA line.

The slave address is the unique SMBus Interface Address for the Hub that identifies it on SMBus. The register address field is the internal address of the register to be accessed. The register data field is the data that the host is attempting to write to the register or the contents of the register that the host is attempting to read.

**Note:** Data bytes are transferred MSB first (msb first).

#### 7.3.1.1 Block Read/Write

The Block Write begins with a slave address and a write condition. After the command code, the host issues a byte count which describes how many more bytes will follow in the message. If a slave had 20 bytes to send, the first byte would be the number 20 (14h), followed by the 20 bytes of data. The byte count may not be 0. A Block Read or Write is allowed to transfer a maximum of 32 data bytes.

**Note:** For the following SMBus tables:

Denotes Master-to-Slave       Denotes Slave-to-Master

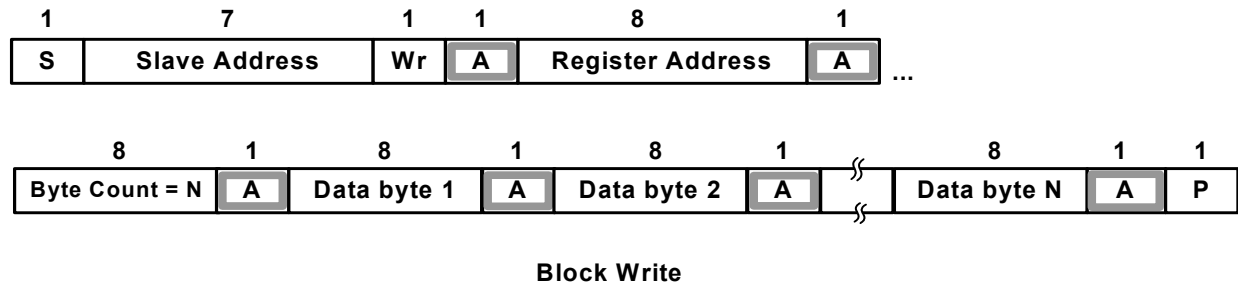


Figure 7.1 Block Write

#### Block Read

A Block Read differs from a block write in that the repeated start condition exists to satisfy the I<sup>2</sup>C specification's requirement for a change in the transfer direction.

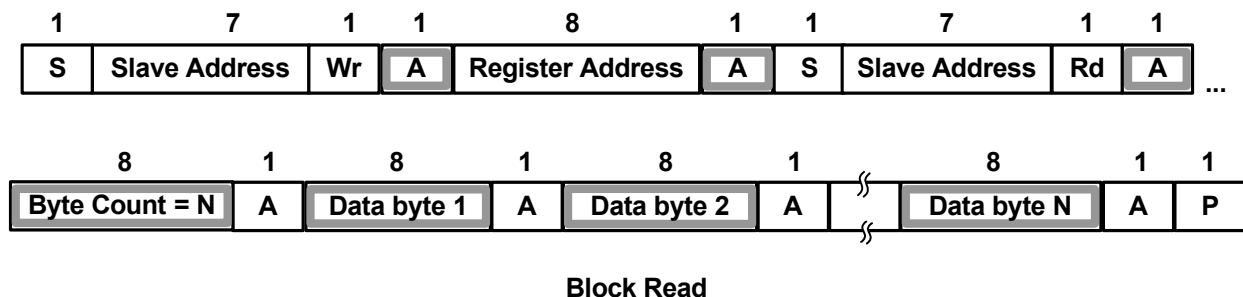


Figure 7.2 Block Read

### 7.3.2 Invalid Protocol Response Behavior

Registers accessed with an invalid protocol are not updated. A register is only updated following a valid protocol. The only valid protocols are Write Block and Read Block, which are described above.

The Hub only responds to the hardware selected Slave Address.

Attempting to communicate with the Hub over SMBus with an invalid slave address or invalid protocol results in no response, and the SMBus Slave Interface returns to the idle state.

The only valid registers that are accessible by the SMBus slave address are the registers defined in the Registers Section. See [Section 7.3.3](#) for the response to undefined registers.

### 7.3.3 General Call Address Response

The Hub does not respond to a general call address of 0000\_000b.

### 7.3.4 Slave Device Time-Out

According to the SMBus Specification, V1.0 devices in a transfer can abort the transfer in progress and release the bus when any single clock low interval exceeds 25ms ( $T_{\text{TIMEOUT, MIN}}$ ). Devices that have detected this condition must reset their communication and be able to receive a new START condition no later than 35ms ( $T_{\text{TIMEOUT, MAX}}$ ).

**Note:** Some simple devices do not contain a clock low drive circuit; this simple kind of device typically resets its communications port after a start or stop condition. The Slave Device Time-Out must be implemented.

### 7.3.5 Stretching the SCLK Signal

The Hub supports stretching of the SCLK by other devices on the SMBus. The Hub does not stretch the SCLK.

### 7.3.6 SMBus Timing

The SMBus Slave Interface complies with the SMBus AC Timing Specification. See the SMBus timing in the "Timing Diagram" section.

### 7.3.7 Bus Reset Sequence

The SMBus Slave Interface resets and returns to the idle state upon a START field followed immediately by a STOP field.

### 7.3.8 SMBus Alert Response Address

The SMBALERT# signal is not supported by the Hub.

#### 7.3.8.1 Undefined Registers

The registers shown in [Table 7.1](#) are the defined registers in the Hub. Reads to undefined registers return to 00h. Writes to undefined registers have no effect and do not return an error.

#### 7.3.8.2 Reserved Registers

Unless otherwise instructed, only a '0' may be written to all reserved registers or bits.

## 7.4 Default Configuration Option:

The SMSC Hub can be configured via its internal default configuration. (Please see [Section 7.2.1, "Internal Register Set \(Common to EEPROM and SMBus\)"](#) for specific details on how to enable default configuration.)

Please refer to [Table 7.1](#) for the internal default values that are loaded when this option is selected.

## 7.5 Default Strapping Options:

The USB2517 can be configured via a combination of internal default values and pin strap options. Please see [Table 5.1, "PIN Descriptions"](#) and [Table 5.2, "USB2517 SMBUS or EEPROM Interface Behavior"](#) for specific details on how to enable the default/pin-strap configuration option.

The strapping option pins only cover a limited sub-set of the configuration options. The internal default values will be used for the bits & registers that are not controlled by a strapping option pin. Please refer to [Table 7.1](#) for the internal default values that are loaded when this option is selected.

The Amber and Green LED pins are sampled after RESET\_N negation, and the logic values are used to configure the hub if the internal default configuration mode is selected. The implementation shown below (see [Figure 7.3](#)) shows a recommended passive scheme. When a pin is configured with a “Strap High” configuration, the LED functions with active low signalling, and the PAD will “sink” the current from the external supply. When a pin is configured with a “Strap Low” configuration, the LED functions with active high signalling, and the PAD will “source” the current to the external LED.

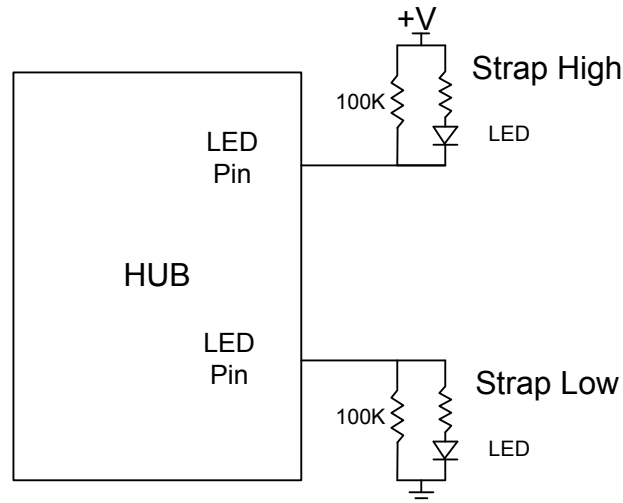


Figure 7.3 LED Strapping Option

## 7.6 Reset

There are two different resets that the Hub experiences. One is a hardware reset (either from the internal POR reset circuit or via the RESET\_N pin) and the second is a USB Bus Reset.

### 7.6.1 Internal POR Hardware Reset

All reset timing parameters are guaranteed by design.

### 7.6.2 External Hardware RESET\_N

A valid hardware reset is defined as assertion of RESET\_N for a minimum of 1us after all power supplies are within operating range. While reset is asserted, the Hub (and its associated external circuitry) consumes less than 500μA of current from the upstream USB power source.

Assertion of RESET\_N (external pin) causes the following:

1. All downstream ports are disabled, and PRTPWR power to downstream devices is removed.
2. The PHYs are disabled, and the differential pairs will be in a high-impedance state.
3. All transactions immediately terminate; no states are saved.
4. All internal registers return to the default state (in most cases, 00(h)).
5. The external crystal oscillator is halted.
6. The PLL is halted.
7. LED indicators are disabled.

The Hub is “operational” 500μs after RESET\_N is negated.

Once operational, the Hub immediately reads OEM-specific data from the external EEPROM (if the SMBus option is not disabled).



### 7.6.2.1 RESET\_N for Strapping Option Configuration

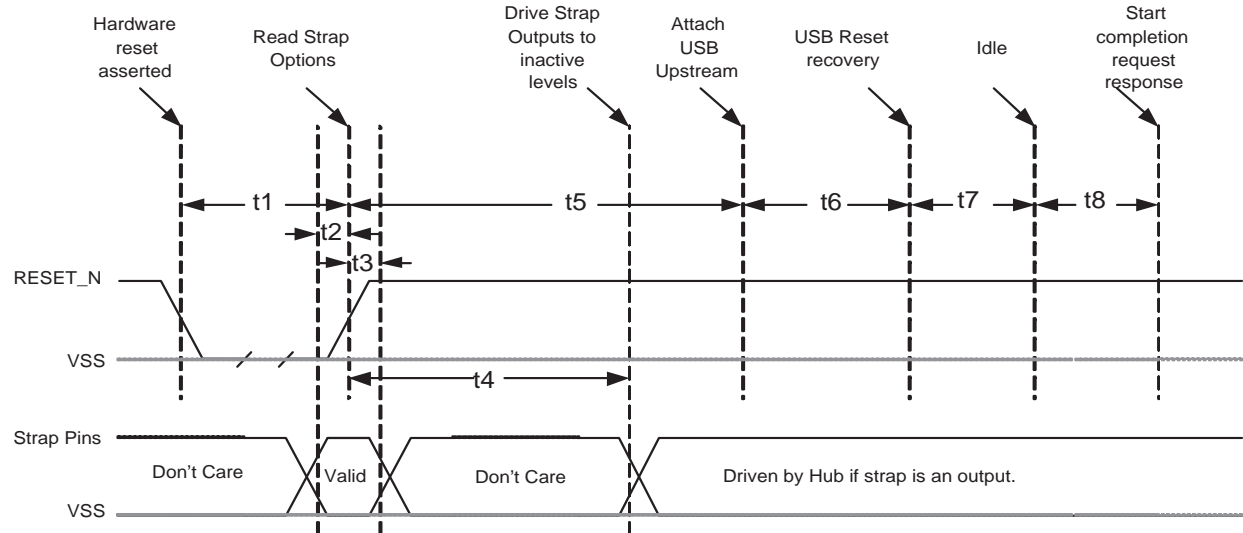


Figure 7.4 Reset\_N Timing for Default/Strap Option Mode

Table 7.6 Reset\_N Timing for Default/Strap Option Mode

NAME	DESCRIPTION	MIN	TYP	MAX	UNITS
t1	RESET_N Asserted.	1			μsec
t2	Strap Setup Time	16.7			nsec
t3	Strap Hold Time.	16.7		1400	nsec
t4	hub outputs driven to inactive logic states		1.5	2	μsec
t5	USB Attach (See Note).			100	msec
t6	Host acknowledges attach and signals USB Reset.	100			msec
t7	USB Idle.		undefined		msec
t8	Completion time for requests (with or without data stage).			5	msec

**Notes:**

- When in Bus-Powered mode, the Hub and its associated circuitry must not consume more than 100mA from the upstream USB power source during  $t_1+t_5$ .
- All Power Supplies must have reached the operating levels mandated in [Chapter 8, DC Parameters](#), prior to (or coincident with) the assertion of RESET\_N.

### 7.6.2.2 RESET\_N for EEPROM Configuration

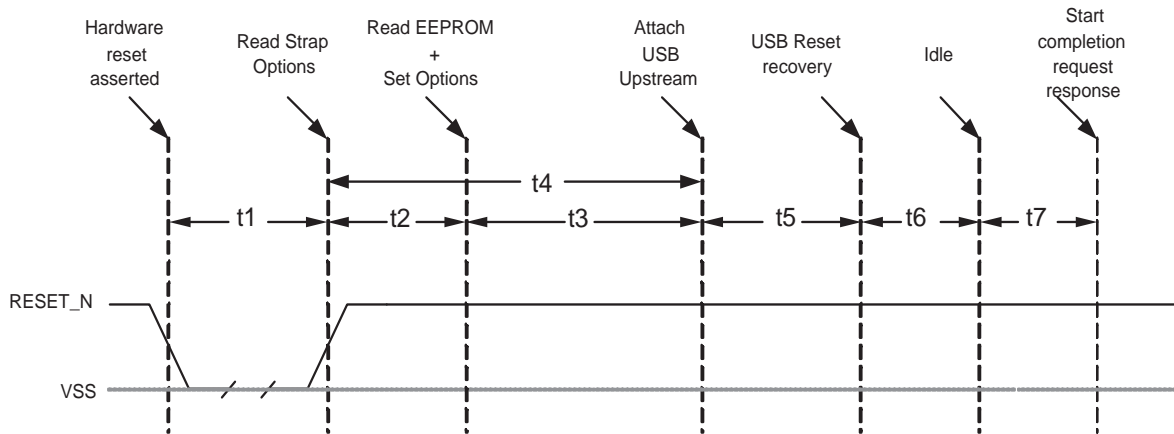


Figure 7.5 Reset\_N Timing for EEPROM Mode

Table 7.7 Reset\_N Timing for EEPROM Mode

NAME	DESCRIPTION	MIN	TYP	MAX	UNITS
t1	RESET_N Asserted.	1			μsec
t2	Hub Recovery/Stabilization.			500	μsec
t3	EEPROM Read / Hub Config.		2.0	99.5	msec
t4	USB Attach (See Note).			100	msec
t5	Host acknowledges attach and signals USB Reset.	100			msec
t6	USB Idle.		undefined		msec
t7	Completion time for requests (with or without data stage).			5	msec

**Notes:**

- When in Bus-Powered mode, the Hub and its associated circuitry must not consume more than 100mA from the upstream USB power source during t4+t5+t6+t7.
- All Power Supplies must have reached the operating levels mandated in [Chapter 8, DC Parameters](#), prior to (or coincident with) the assertion of RESET\_N.

### 7.6.2.3 RESET\_N for SMBus Slave Configuration

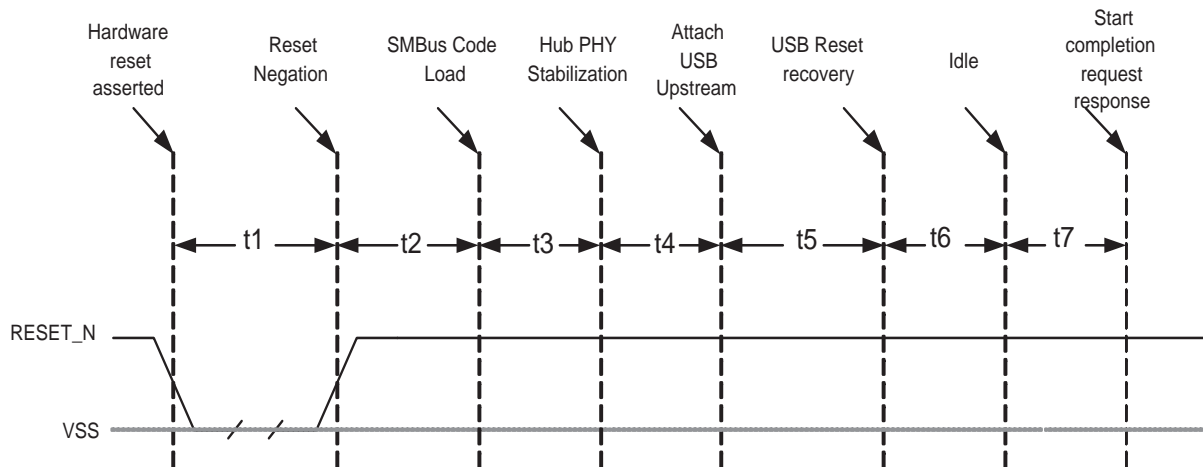


Figure 7.6 Reset\_N Timing for SMBus Mode

Table 7.8 Reset\_N Timing for SMBus Mode

NAME	DESCRIPTION	MIN	TYP	MAX	UNITS
t1	RESET_N Asserted.	1			μsec
t2	Hub Recovery/Stabilization.			500	μsec
t3	SMBus Code Load (See Note).		250	300	msec
t4	Hub Configuration and USB Attach.			100	msec
t5	Host acknowledges attach and signals USB Reset.	100			msec
t6	USB Idle.		Undefined		msec
t7	Completion time for requests (with or without data stage).			5	msec

**Notes:**

- For Bus-Powered configurations, the 99.5ms (MAX) is required, and the Hub and its associated circuitry must not consume more than 100mA from the upstream USB power source during t2+t3+t4+t5+t6+t7. For Self-Powered configurations, t3 MAX is not applicable and the time to load the configuration is determined by the external SMBus host.
- All Power Supplies must have reached the operating levels mandated in [Chapter 8, DC Parameters](#), prior to (or coincident with) the assertion of RESET\_N.

### 7.6.3 USB Bus Reset

In response to the upstream port signaling a reset to the Hub, the Hub does the following:

**Note:** The Hub does not propagate the upstream USB reset to downstream devices.

- Sets default address to 0.
- Sets configuration to: Unconfigured.
- Negates PRTPWR[7:1] to all downstream ports.
- Clears all TT buffers.
- Moves device from suspended to active (if suspended).

6. Complies with Section 11.10 of the USB 2.0 Specification for behavior after completion of the reset sequence.

The Host then configures the Hub and the Hub's downstream port devices in accordance with the USB Specification.

## Chapter 8 DC Parameters

### 8.1 Maximum Guaranteed Ratings

PARAMETER	SYMBOL	MIN	MAX	UNITS	COMMENTS
Storage Temperature	$T_{STOR}$	-55	150	°C	
Lead Temperature			325	°C	Soldering < 10 seconds
1.8V supply voltage	$V_{DDA18PLL}$ , $V_{DD18}$		2.5	V	
3.3V supply voltage	$V_{DDA33}$ , $V_{DD33PLL}$ , $V_{DD33}$ , $V_{DD33CR}$		4.6	V	
Voltage on any I/O pin		-0.5	5.5	V	
Voltage on XTAL1		-0.5	4.0	V	
Voltage on XTAL2		-0.5	3.6	V	

**Note 8.1** Stresses above the specified parameters could cause permanent damage to the device. This is a stress rating only and functional operation of the device at any condition above those indicated in the operation sections of this specification is not implied.

**Note 8.2** When powering this device from laboratory or system power supplies, it is important that the Absolute Maximum Ratings not be exceeded or device failure can result. Some power supplies exhibit voltage spikes on their outputs when the AC power is switched on or off. In addition, voltage transients on the AC power line may appear on the DC output. When this possibility exists, it is suggested that a clamp circuit be used.

### 8.2 Operating Conditions

PARAMETER	SYMBOL	MIN	MAX	UNITS	COMMENTS
Operating Temperature	$T_A$	0	70	°C	Ambient temperature in still air.
1.8V supply voltage	$V_{DDA18PLL}$ $V_{DD18}$	1.62	1.98	V	
3.3V supply voltage	$V_{DDA33}$ $V_{DDA33PLL}$ $V_{DD33}$ $V_{DD33CR}$	3.0	3.6	V	
3.3V supply rise time	$t_{RT}$		400	μs	(See <a href="#">Figure 8.1</a> , "Supply Rise Time Model")

PARAMETER	SYMBOL	MIN	MAX	UNITS	COMMENTS
Voltage on any I/O pin		-0.3	5.5	V	If any 3.3V supply voltage drops below 3.0V, then the MAX becomes: (3.3V supply voltage) + 0.5
Voltage on XTAL1		-0.3	V <sub>DD33</sub>	V	
Voltage on XTAL2		-0.3	V <sub>DD18</sub>	V	

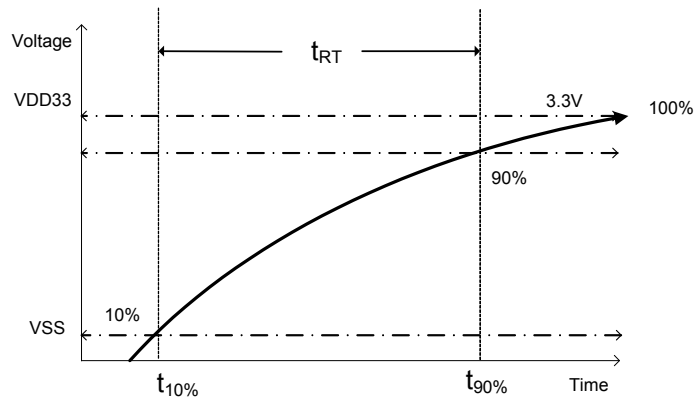


Figure 8.1 Supply Rise Time Model

Table 8.1 DC Electrical Characteristics

PARAMETER	SYMBOL	MIN	TYP	MAX	UNITS	COMMENTS
<b>I, IS Type Input Buffer</b>						
Low Input Level	V <sub>ILI</sub>			0.8	V	TTL Levels
High Input Level	V <sub>IHI</sub>	2.0			V	
Input Leakage	I <sub>IL</sub>	-10		+10	uA	V <sub>IN</sub> = 0 to V <sub>DD33</sub>
Hysteresis ('IS' Only)	V <sub>HYSI</sub>	250		350	mV	
<b>Input Buffer with Pull-Up (IPU)</b>						
Low Input Level	V <sub>ILI</sub>			0.8	V	TTL Levels
High Input Level	V <sub>IHI</sub>	2.0			V	
Low Input Leakage	I <sub>ILL</sub>	+35		+90	uA	V <sub>IN</sub> = 0
High Input Leakage	I <sub>IHL</sub>	-10		+10	uA	V <sub>IN</sub> = V <sub>DD33</sub>
<b>Input Buffer with Pull-Down (IPD)</b>						
Low Input Level	V <sub>ILI</sub>			0.8	V	TTL Levels
High Input Level	V <sub>IHI</sub>	2.0			V	
Low Input Leakage	I <sub>ILL</sub>	+10		-10	uA	V <sub>IN</sub> = 0
High Input Leakage	I <sub>IHL</sub>	-35		-90	uA	V <sub>IN</sub> = V <sub>DD33</sub>

Table 8.1 DC Electrical Characteristics (continued)

PARAMETER	SYMBOL	MIN	TYP	MAX	UNITS	COMMENTS
<b>ICLK Input Buffer</b>						
Low Input Level	$V_{ILCK}$			0.5	V	
High Input Level	$V_{IHCK}$	1.4			V	
Input Leakage	$I_{IL}$	-10		+10	$\mu$ A	$V_{IN} = 0$ to $V_{DD33}$
<b>O12, I/O12 &amp; I/OSD12 Type Buffer</b>						
Low Output Level	$V_{OL}$			0.4	V	$I_{OL} = 12\text{mA}$ @ $V_{DD33} = 3.3\text{V}$
High Output Level	$V_{OH}$	2.4			V	$I_{OH} = -12\text{mA}$ @ $V_{DD33} = 3.3\text{V}$
Output Leakage	$I_{OL}$	-10		+10	$\mu$ A	$V_{IN} = 0$ to $V_{DD33}$ (Note 8.3)
Hysteresis ('SD' pad only)	$V_{HYSC}$	250		350	mV	
<b>IO-U</b> (Note 8.4)						
Supply Current Unconfigured						
Hi-Speed Host	$I_{CCINTHS}$		95		mA	
Full-Speed Host	$I_{CCINITFS}$		95		mA	
Supply Current Configured (Hi-Speed Host) (Note 8.5)						All supplies combined
1 Port HS, 1 Port LS/FS	$I_{HCH1C1}$		230		mA	
2 Ports @ LS/FS	$I_{HCC2}$		230		mA	
2 Ports @ HS	$I_{HCH2}$		270		mA	
4 Ports @ HS	$I_{HCH4}$		330		mA	
7 Ports @ HS	$I_{HCH7}$		420	460	mA	
Supply Current Configured (Full-Speed Host)						All supplies combined
1 Port	$I_{FCC1}$		205		mA	
2 Ports	$I_{FCC2}$		210		mA	
3 Ports	$I_{FCC3}$		215		mA	
4 Ports	$I_{FCC4}$		220		mA	
7 Ports	$I_{FCC7}$		235	270	mA	
Supply Current Suspend	$I_{CSBY}$		360	610	$\mu$ A	All supplies combined
Supply Current Reset	$I_{CRST}$		110	400	$\mu$ A	All supplies combined

**Note 8.3** Output leakage is measured with the current pins in high impedance.

**Note 8.4** See USB 2.0 Specification for USB DC electrical characteristics.

**Note 8.5** Max supply current was measured under ICH10 EHCI controller while transferring files in Windows7 using fastest available HDs, at  $V_{DD}=3.3\text{V}+20\%$  and T (case) temperature  $-55\text{C}$ .

**CAPACITANCE  $T_A = 25^\circ\text{C}$ ;  $f_c = 1\text{MHz}$ ;  $V_{DD18}, V_{DDPLL} = 1.8\text{V}$**

**Table 8.2 Pin Capacitance**

PARAMETER	SYMBOL	LIMITS			UNIT	TEST CONDITION
		MIN	TYP	MAX		
Clock Input Capacitance	$C_{XTAL}$			2	pF	All pins except USB pins (and pins under test tied to AC ground)
Input Capacitance	$C_{IN}$			10	pF	
Output Capacitance	$C_{OUT}$			20	pF	



## Chapter 9 AC Specifications

### 9.1 Oscillator/Clock

Crystal: Parallel Resonant, Fundamental Mode, 24 MHz  $\pm$ 350ppm.

External Clock: 50% Duty cycle  $\pm$  10%, 24 MHz  $\pm$  350ppm, Jitter < 100ps rms.

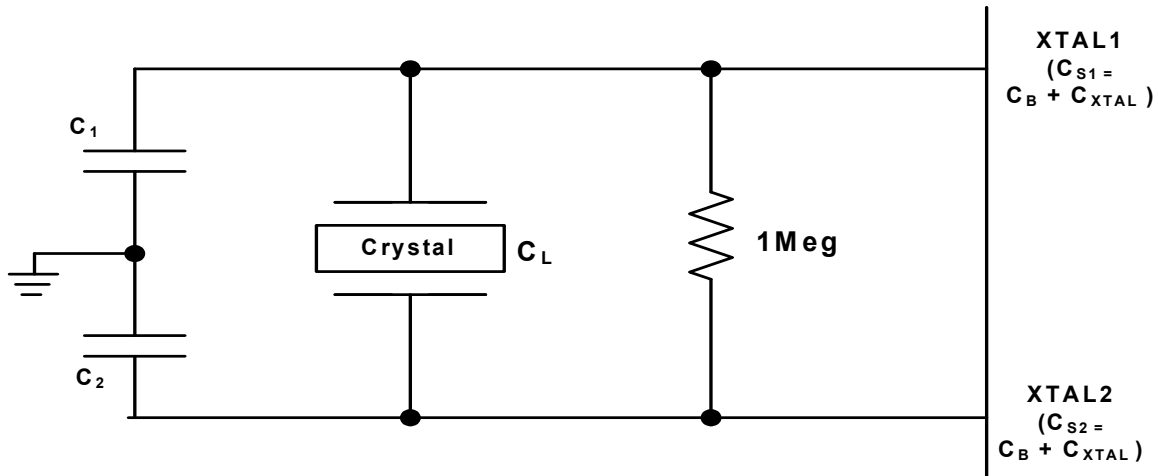


Figure 9.1 Typical Crystal Circuit

**Note:**  $C_B$  equals total board/trace capacitance.

$$\frac{(C_1 + C_{S1}) \times (C_2 + C_{S2})}{(C_1 + C_{S1} + C_2 + C_{S2})} = C_L$$

Figure 9.2 Formula to find value of  $C_1$  and  $C_2$

#### 9.1.1 SMBus Interface:

The SMSC Hub conforms to all voltage, power, and timing characteristics and specifications as set forth in the SMBus 1.0 Specification for Slave-Only devices (except as noted in [Section 7.3, "SMBus Slave Interface"](#)).

#### 9.1.2 I<sup>2</sup>C EEPROM:

Frequency is fixed at 58.6KHz  $\pm$  20%.

#### 9.1.3 USB 2.0

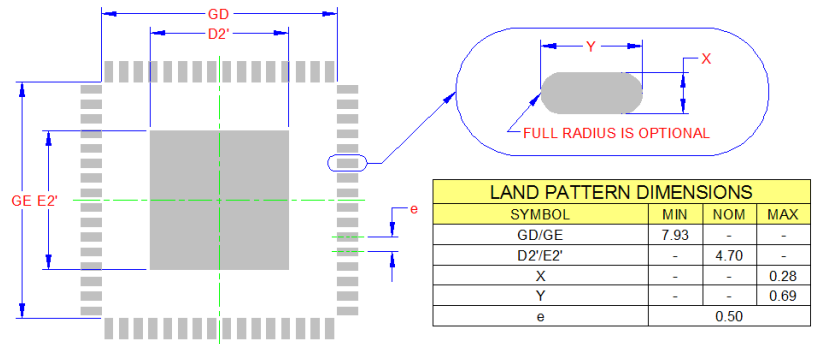
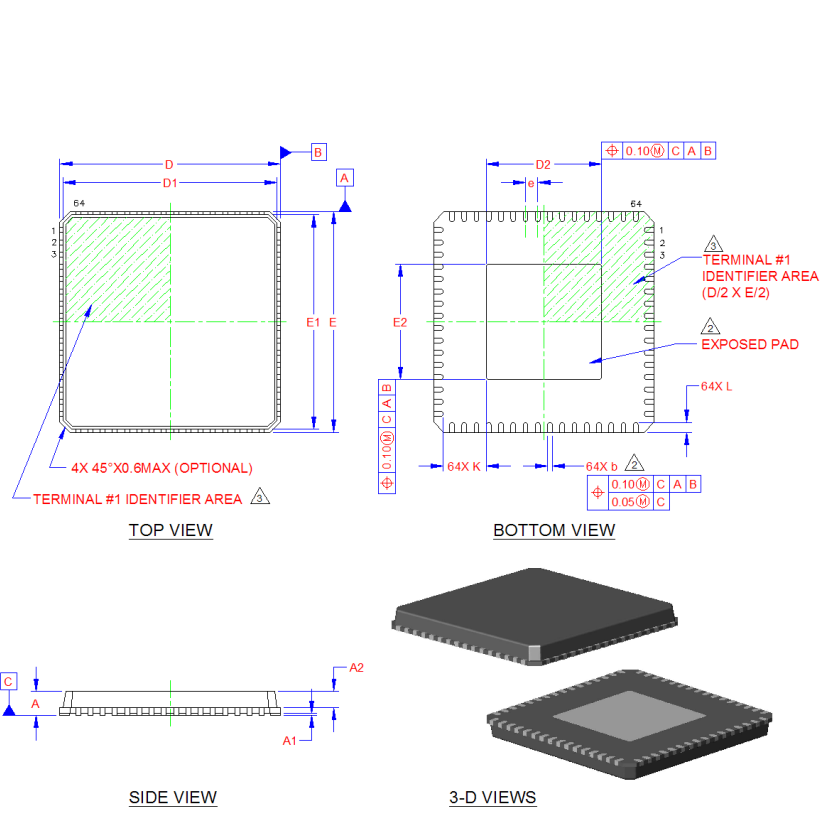
The SMSC Hub conforms to all voltage, power, and timing characteristics and specifications as set forth in the USB 2.0 Specification. Please refer to the USB 2.0 Specification for more information.

# Chapter 10 Package Outline

Revision 2.8 (09-17-12)

50  
DATASHEET

USB 2.0 Hi-Speed 7-Port Hub Controller  
Datasheet



THE USER MAY MODIFY THE PCB LAND PATTERN DIMENSIONS BASED ON THEIR EXPERIENCE AND/OR PROCESS CAPABILITY

### RECOMMENDED PCB LAND PATTERN

COMMON DIMENSIONS					
SYMBOL	MIN	NOM	MAX	NOTE	REMARK
A	0.80	0.85	1.00	-	OVERALL PACKAGE HEIGHT
A1	0	0.02	0.05	-	STANDOFF
A2	-	0.65	0.80	-	MOLD CAP THICKNESS
D/E	8.90	9.00	9.10	-	X/Y BODY SIZE
D1/E1	8.65	8.75	8.85	-	X/Y MOLD CAP SIZE
D2/E2	4.60	4.70	4.80	2	X/Y EXPOSED PAD SIZE
L	0.30	0.40	0.50	4	TERMINAL LENGTH
b	0.18	0.25	0.30	2	TERMINAL WIDTH
e	0.50 BSC			-	TERMINAL PITCH

- NOTES:**
- ALL DIMENSIONS ARE IN MILLIMETER.
  - DIMENSIONS "b" APPLIES TO PLATED TERMINALS AND IT IS MEASURED BETWEEN 0.15 AND 0.30 mm FROM THE TERMINAL TIP.
  - DETAILS OF TERMINAL #1 IDENTIFIER ARE OPTIONAL BUT MUST BE LOCATED WITHIN THE AREA INDICATED. THE TERMINAL #1 IDENTIFIER MAY BE EITHER A MOLD OR MARKED FEATURE.

Figure 10.1 64-Pin QFN, 9x9mm Body, 0.5mm Pitch

SMSC USB2517

# Mouser Electronics

Authorized Distributor

Click to View Pricing, Inventory, Delivery & Lifecycle Information:

[Microchip:](#)

[USB2517-JZX](#) [USB2517I-JZX](#) [USB2517I-JZX-TR](#) [USB2517-JZX-TR](#)