



PCF8591

8-bit A/D and D/A converter

Rev. 7 — 27 June 2013

Product data sheet

1. General description

The PCF8591 is a single-chip, single-supply low-power 8-bit CMOS data acquisition device with four analog inputs, one analog output and a serial I²C-bus interface. Three address pins A0, A1 and A2 are used for programming the hardware address, allowing the use of up to eight devices connected to the I²C-bus without additional hardware. Address, control and data to and from the device are transferred serially via the two-line bidirectional I²C-bus.

The functions of the device include analog input multiplexing, on-chip track and hold function, 8-bit analog-to-digital conversion and an 8-bit digital-to-analog conversion. The maximum conversion rate is given by the maximum speed of the I²C-bus.

2. Features and benefits

- Single power supply
- Operating supply voltage 2.5 V to 6.0 V
- Low standby current
- Serial input and output via I²C-bus
- I²C address selection by 3 hardware address pins
- Max sampling rate given by I²C-bus speed
- 4 analog inputs configurable as single ended or differential inputs
- Auto-incremented channel selection
- Analog voltage range from V_{SS} to V_{DD}
- On-chip track and hold circuit
- 8-bit successive approximation A/D conversion
- Multiplying DAC with one analog output.

3. Applications

- Supply monitoring
- Reference setting
- Analog control loops



4. Ordering information

Table 1. Ordering information

| Type number | Package | | |
|-------------|---------|--|----------|
| | Name | Description | Version |
| PCF8591P | DIP16 | plastic dual in-line package; 16 leads (300 mil) | SOT38-4 |
| PCF8591T | SO16 | plastic small outline package; 16 leads; body width 7.5 mm | SOT162-1 |

4.1 Ordering options

Table 2. Ordering options

| Product type number | Sales item (12NC) | Orderable part number | IC revision | Delivery form |
|---------------------|-------------------|-----------------------|-------------|----------------------------------|
| PCF8591P | 933768130112 | PCF8591P,112 | 1 | tube |
| PCF8591T/2 | 935276541512 | PCF8591T/2,512 | 1 | tube, dry pack |
| | 935276541518 | PCF8591T/2,518 | 1 | tape and reel, dry pack, 13 inch |

5. Marking

Table 3. Marking codes

| Type number | Marking code |
|-------------|--------------|
| PCF8591P | PCF8591P |
| PCF8591T | PCF8591T |

6. Block diagram

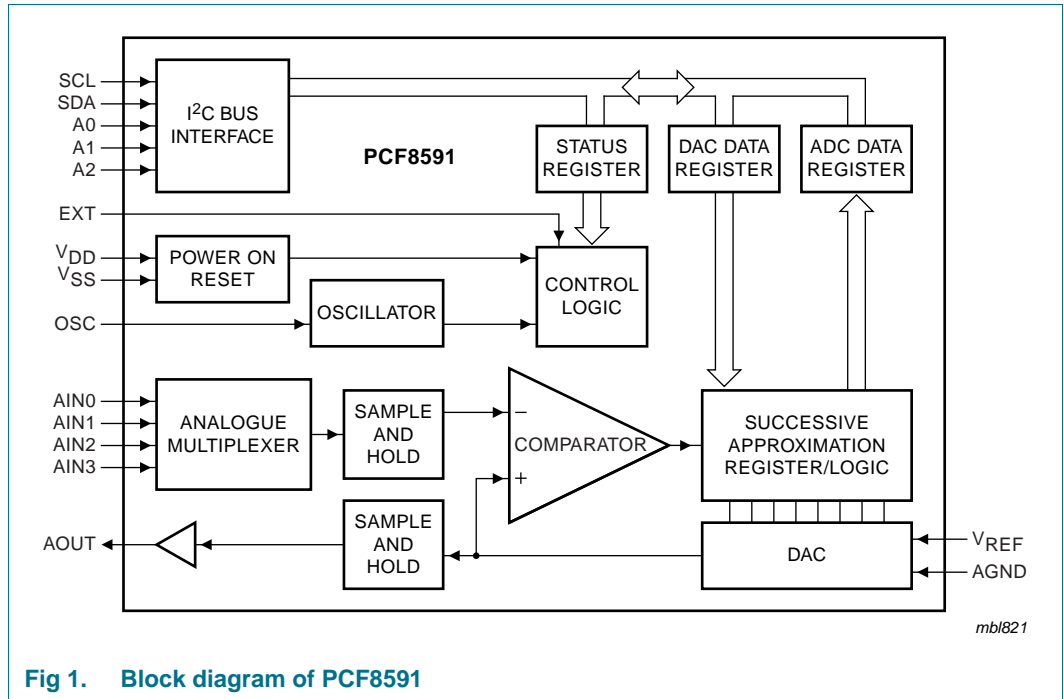


Fig 1. Block diagram of PCF8591

7. Pinning information

7.1 Pinning

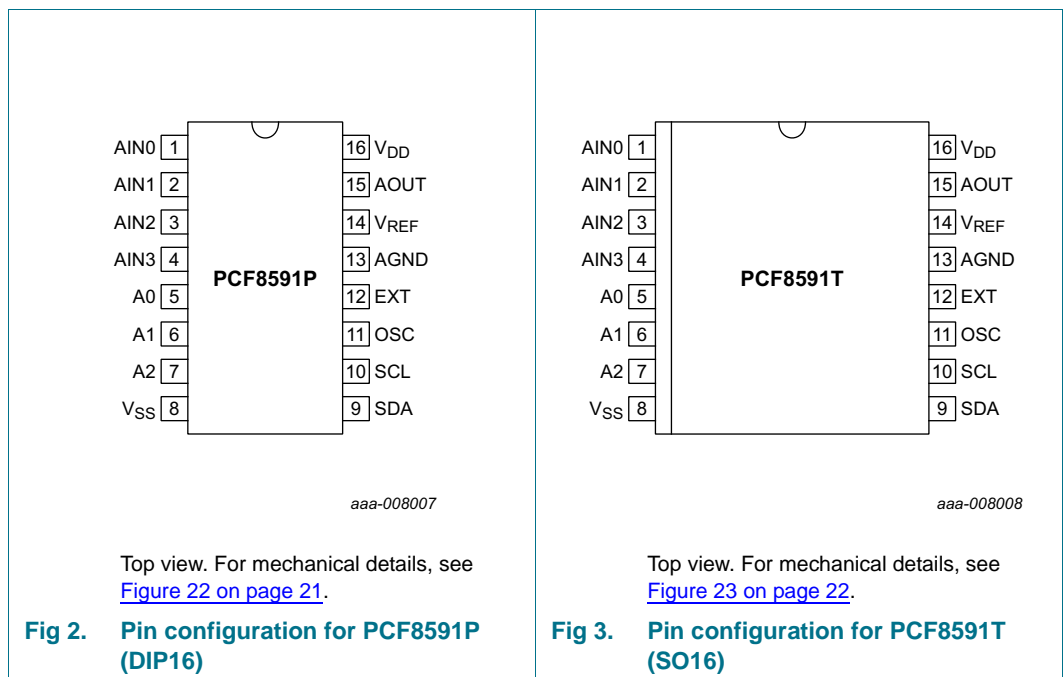


Fig 2. Pin configuration for PCF8591P (DIP16)

Fig 3. Pin configuration for PCF8591T (SO16)

7.2 Pin description

Table 4. Pin description

| Symbol | Pin | Description |
|------------------|-----|---|
| AIN0 | 1 | analog inputs (A/D converter) |
| AIN1 | 2 | |
| AIN2 | 3 | |
| AIN3 | 4 | |
| A0 | 5 | hardware slave address |
| A1 | 6 | |
| A2 | 7 | |
| V _{SS} | 8 | ground supply voltage |
| SDA | 9 | I ² C-bus serial data input and output |
| SCL | 10 | I ² C-bus serial clock input |
| OSC | 11 | oscillator input/output |
| EXT | 12 | external/internal switch for oscillator input |
| AGND | 13 | analog ground supply |
| V _{REF} | 14 | voltage reference input |
| AOUT | 15 | analog output (D/A converter) |
| V _{DD} | 16 | supply voltage |

8. Functional description

8.1 Addressing

Each PCF8591 device in an I²C-bus system is activated by sending a valid address to the device. The address consists of a fixed part and a programmable part. The programmable part must be set according to the address pins A0, A1 and A2. The address is always sent as the first byte after the start condition in the I²C-bus protocol. The last bit of the address byte is the read/write-bit which sets the direction of the following data transfer (see [Table 5 on page 13](#), [Figure 15 on page 13](#) and [Figure 16 on page 13](#)).

8.2 Control byte

The second byte sent to a PCF8591 device is stored in its control register and is required to control the device function. The upper nibble of the control register is used for enabling the analog output, and for programming the analog inputs as single-ended or differential inputs. The lower nibble selects one of the analog input channels defined by the upper nibble (see [Figure 4](#)). If the auto-increment flag is set, the channel number is incremented automatically after each A/D conversion.

If the auto-increment mode is desired in applications where the internal oscillator is used, the analog output enable flag must be set in the control byte (bit 6). This allows the internal oscillator to run continuously, by this means preventing conversion errors resulting from oscillator start-up delay. The analog output enable flag can be reset at other times to reduce quiescent power consumption.

The selection of a non-existing input channel results in the highest available channel number being allocated. Therefore, if the auto-increment flag is set, the next selected channel is always channel 0. The most significant bits of both nibbles are reserved for possible future functions and must be set to logic 0. After a Power-On Reset (POR) condition, all bits of the control register are reset to logic 0. The D/A converter and the oscillator are disabled for power saving. The analog output is switched to a high-impedance state.

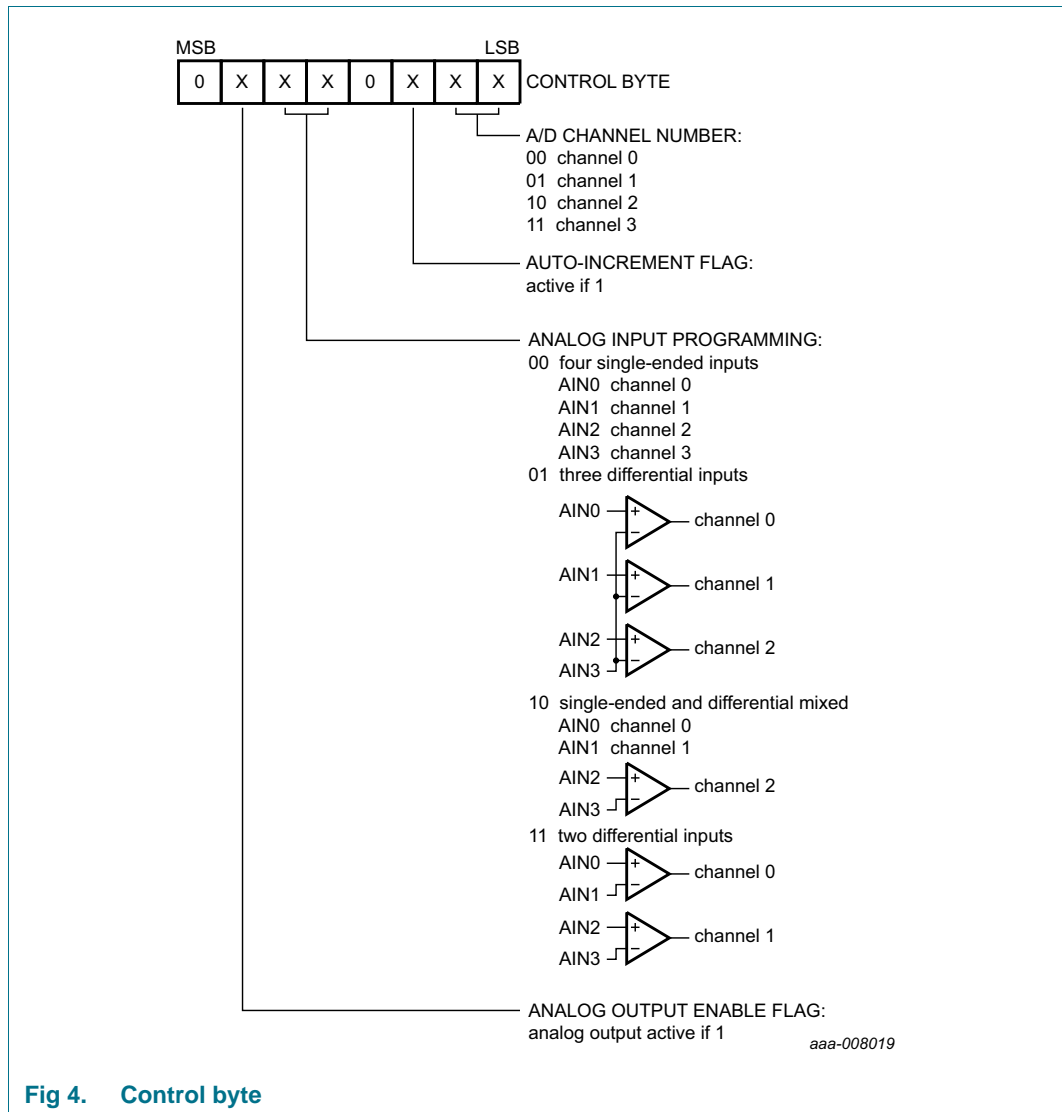


Fig 4. Control byte

8.3 D/A conversion

The third byte sent to a PCF8591 device is stored in the DAC data register and is converted to the corresponding analog voltage using the on-chip D/A converter. This D/A converter consists of a resistor divider chain connected to the external reference voltage with 256 taps and selection switches. The tap-decoder switches one of these taps to the DAC output line (see [Figure 5](#)).

The analog output voltage is buffered by an auto-zeroed unity gain amplifier. Setting the analog output enable flag of the control register switches this buffer amp on or off. In the active state, the output voltage is held until a further data byte is sent.

The on-chip D/A converter is also used for successive approximation A/D conversion. In order to release the DAC for an A/D conversion cycle the unity gain amplifier is equipped with a track and hold circuit. This circuit holds the output voltage while executing the A/D conversion.

The formula for the output voltage supplied to the analog output AOUT is shown in [Figure 6](#). The waveforms of a D/A conversion sequence are shown in [Figure 7](#).

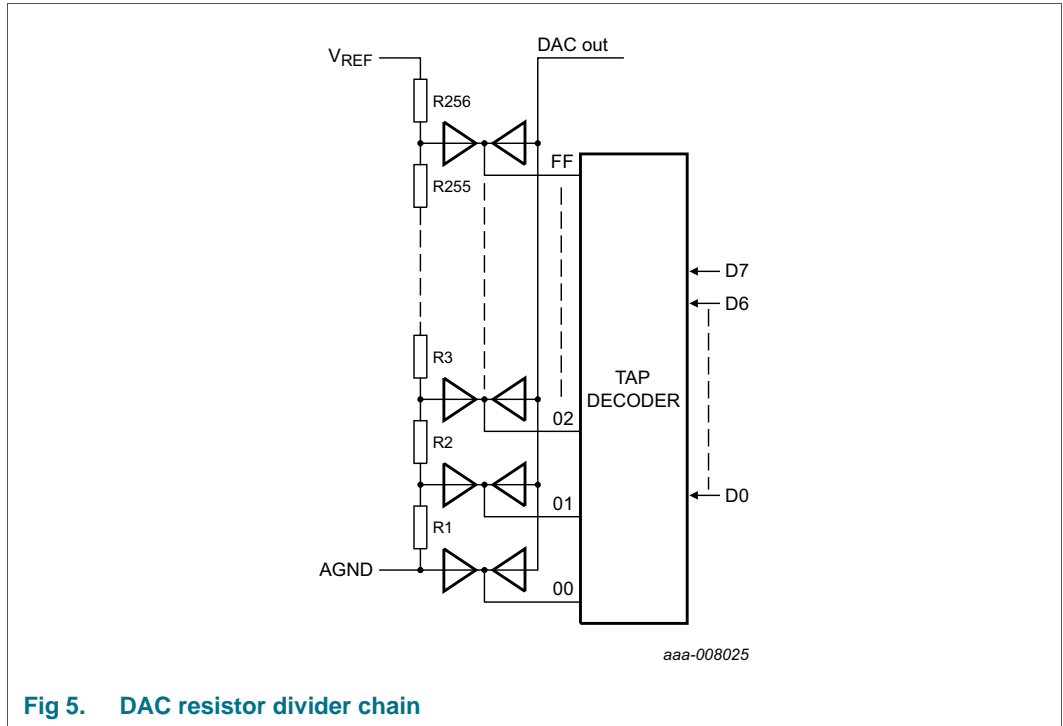


Fig 5. DAC resistor divider chain

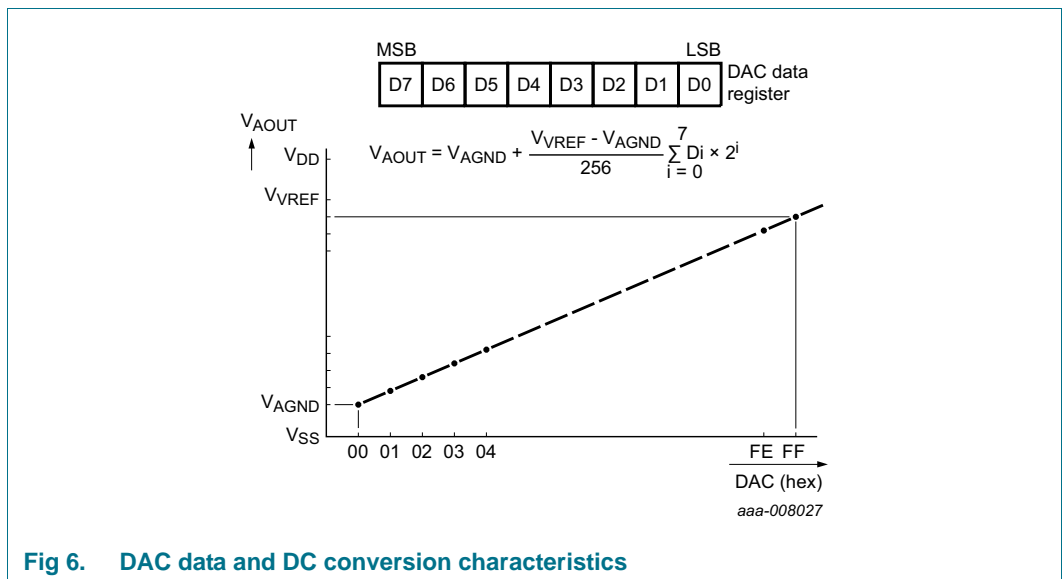


Fig 6. DAC data and DC conversion characteristics

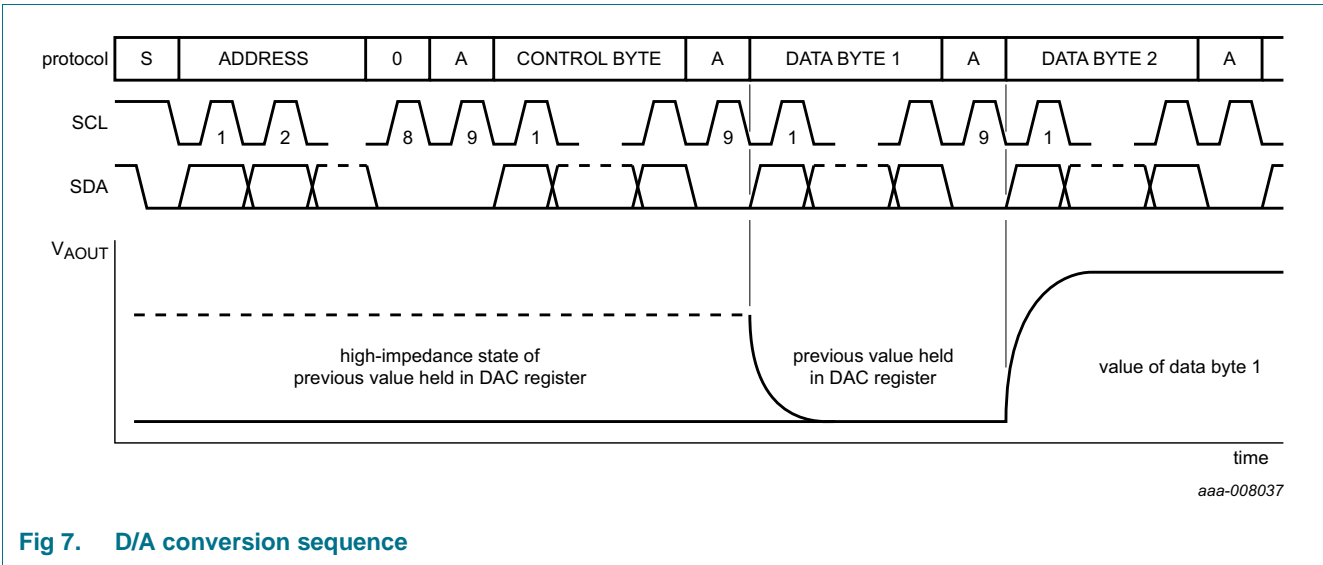


Fig 7. D/A conversion sequence

8.4 A/D conversion

The A/D converter uses the successive approximation conversion technique. The on-chip D/A converter and a high-gain comparator are used temporarily during an A/D conversion cycle.

An A/D conversion cycle is always started after sending a valid read mode address to a PCF8591 device. The A/D conversion cycle is triggered at the trailing edge of the acknowledge clock pulse and is executed while transmitting the result of the previous conversion (see [Figure 8](#)).

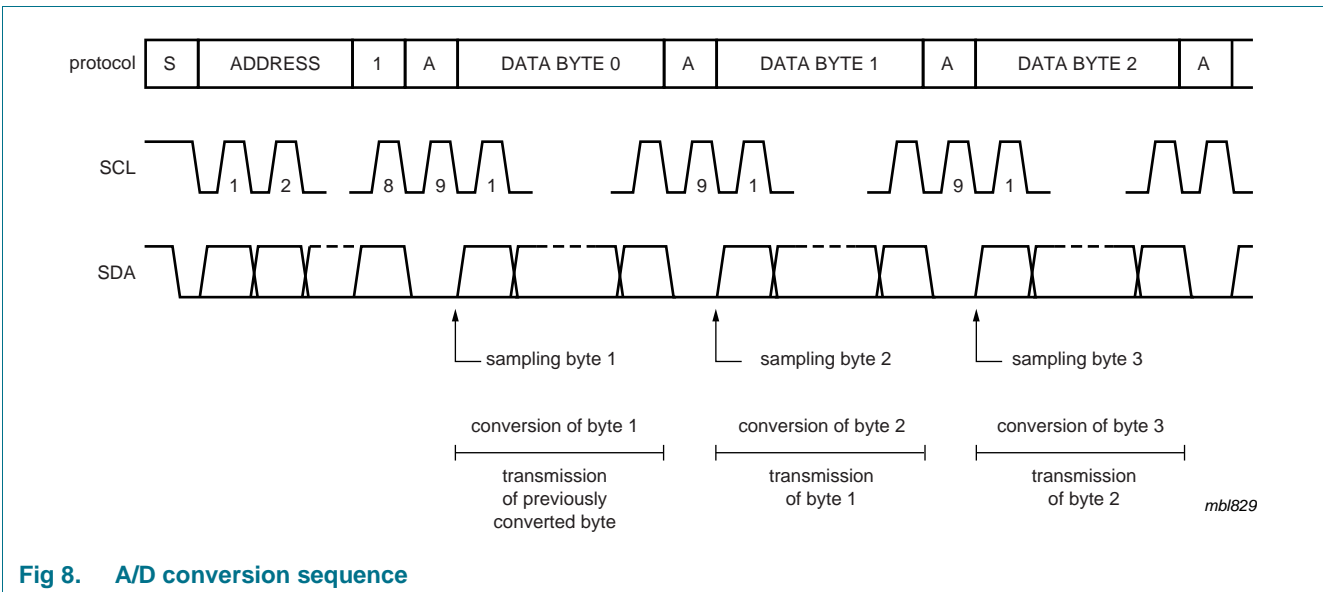


Fig 8. A/D conversion sequence

Once a conversion cycle is triggered, an input voltage sample of the selected channel is stored on the chip and is converted to the corresponding 8-bit binary code. Samples picked up from differential inputs are converted to an 8-bit two's complement code (see [Figure 9](#) and [Figure 10](#)).

The conversion result is stored in the ADC data register and awaits transmission. If the auto-increment flag is set, the next channel is selected.

The first byte transmitted in a read cycle contains the conversion result code of the previous read cycle. After a POR condition, the first byte read is 80h. The protocol of an I²C-bus read cycle is shown in [Section 9](#).

The maximum A/D conversion rate is given by the actual speed of the I²C-bus.

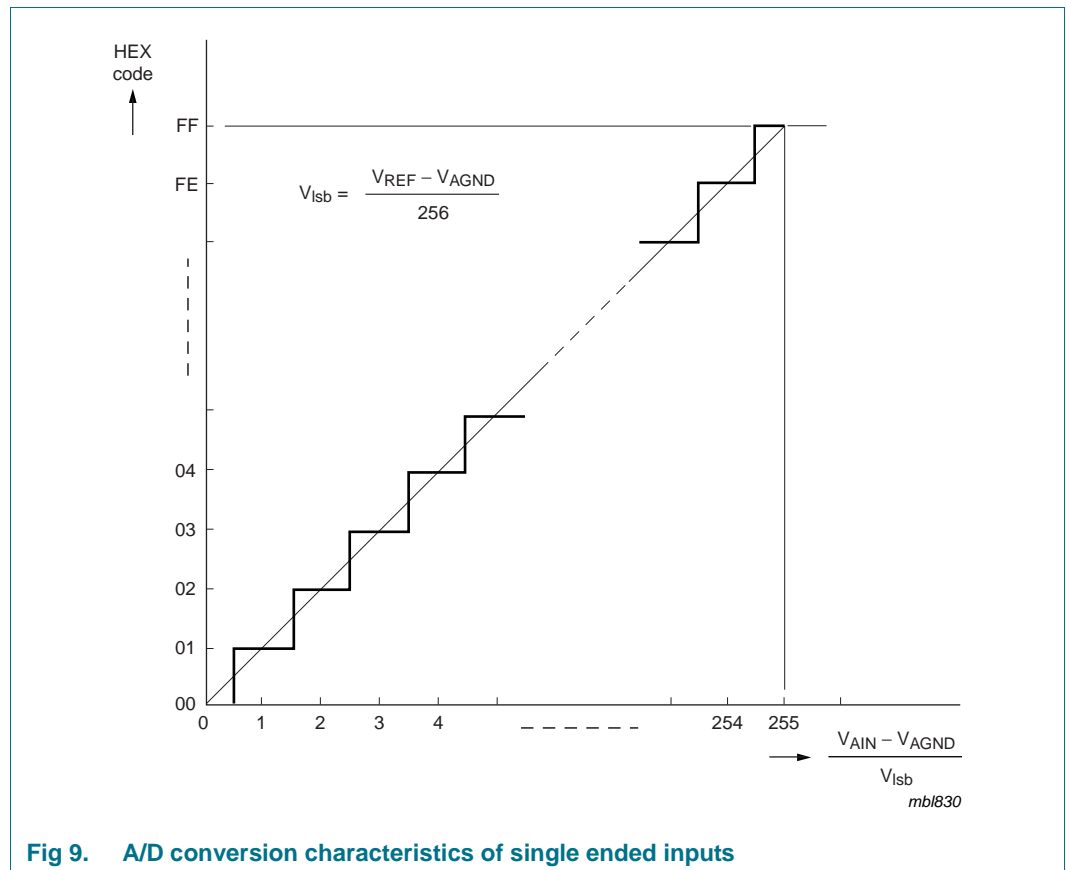


Fig 9. A/D conversion characteristics of single ended inputs

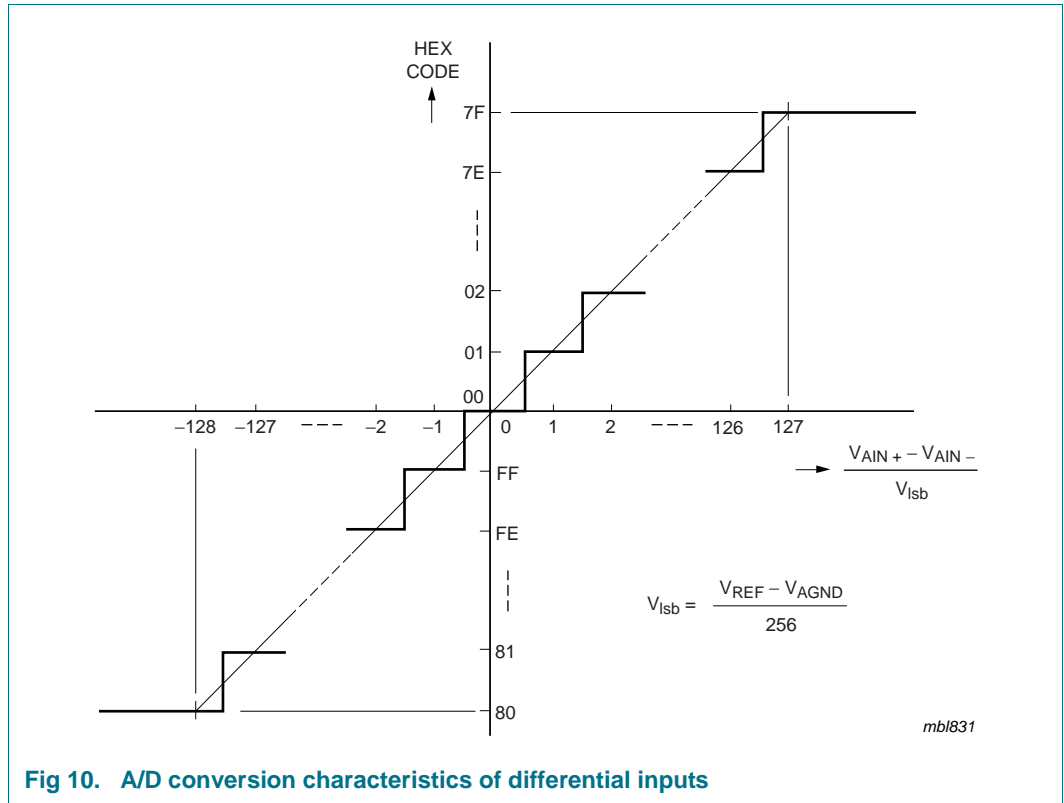


Fig 10. A/D conversion characteristics of differential inputs

8.5 Reference voltage

For the D/A and A/D conversion, either a stable external voltage reference or the supply voltage must be applied to the resistor divider chain (pins V_{REF} and AGND). The AGND pin has to be connected to the system analog ground. It may have a DC off-set with reference to V_{SS} .

A low frequency can be applied to the V_{REF} and AGND pins. This allows the use of the D/A converter as a one-quadrant multiplier (see [Section 10](#) and [Figure 6](#))

The A/D converter can also be used as a one or two quadrant analog divider. The analog input voltage is divided by the reference voltage. The result is converted to a binary code. In this application, the reference voltage must be kept stable during the conversion cycle.

8.6 Oscillator

An on-chip oscillator generates the clock signal required for the A/D conversion cycle and for refreshing the auto-zeroed buffer amplifier. When using this oscillator the EXT pin must be connected to V_{SS} . The oscillator frequency is available at the OSC pin.

If the EXT pin is connected to V_{DD} , the oscillator output OSC is switched to a high-impedance state allowing to feed an external clock signal to OSC.

9. Characteristics of the I²C bus

The I²C-bus is for bidirectional, two-line communication between different ICs or modules. The two lines are a Serial DAta line (SDA) and a Serial CLock line (SCL). Both lines must be connected to a positive supply via a pull-up resistor. Data transfer may be initiated only when the bus is not busy.

9.1 Bit transfer

One data bit is transferred during each clock pulse. The data on the SDA line must remain stable during the HIGH period of the clock pulse, as changes in the data line at this time are interpreted as a control signal (see [Figure 11](#)).

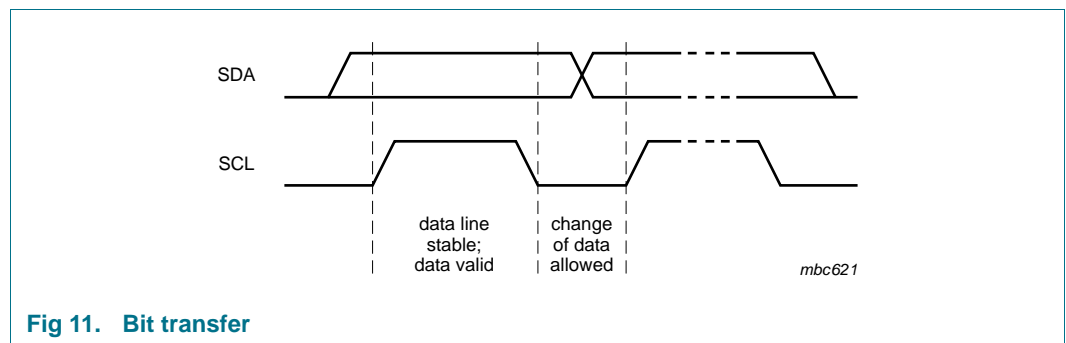


Fig 11. Bit transfer

9.2 START and STOP conditions

Both data and clock lines remain HIGH when the bus is not busy.

A HIGH-to-LOW transition of the data line while the clock is HIGH is defined as the START condition - S.

A LOW-to-HIGH transition of the data line while the clock is HIGH is defined as the STOP condition - P (see [Figure 12](#)).

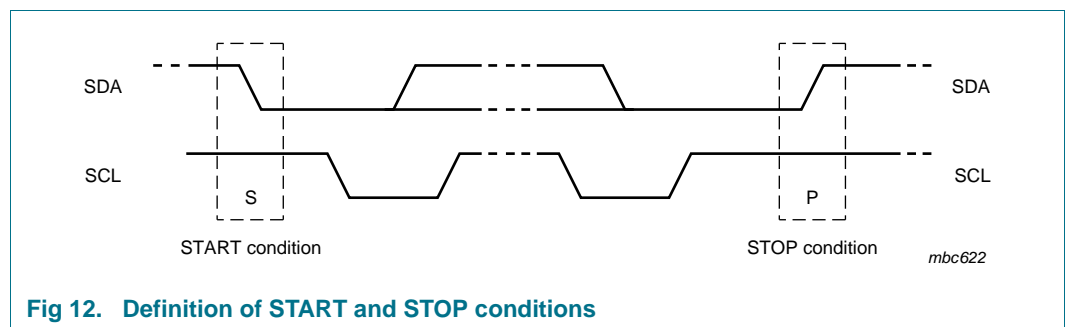


Fig 12. Definition of START and STOP conditions

9.3 System configuration

A device generating a message is a transmitter; a device receiving a message is a receiver. The device that controls the message is the master; and the devices which are controlled by the master are the slaves (see [Figure 13](#)).

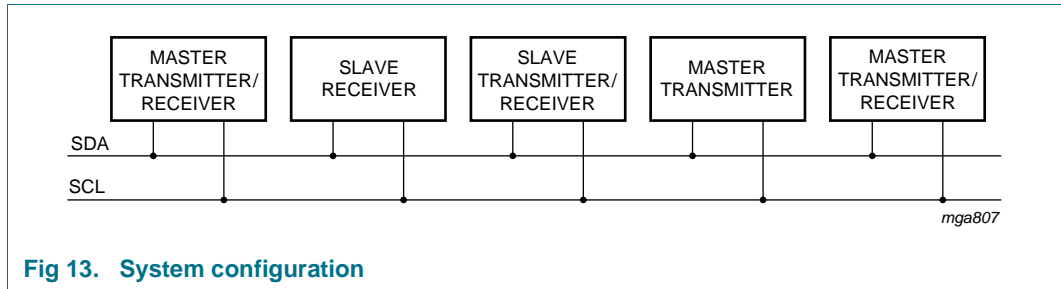


Fig 13. System configuration

9.4 Acknowledge

The number of data bytes transferred between the START and STOP conditions from transmitter to receiver is unlimited. Each byte of 8 bits is followed by an acknowledge cycle.

- A slave receiver, which is addressed, must generate an acknowledge after the reception of each byte
- Also a master receiver must generate an acknowledge after the reception of each byte that has been clocked out of the slave transmitter
- The device that acknowledges must pull-down the SDA line during the acknowledge clock pulse, so that the SDA line is stable LOW during the HIGH period of the acknowledge related clock pulse (set-up and hold times must be considered)
- A master receiver must signal an end of data to the transmitter by not generating an acknowledge on the last byte that has been clocked out of the slave. In this event, the transmitter must leave the data line HIGH to enable the master to generate a STOP condition

Acknowledgement on the I²C-bus is shown in [Figure 14](#).

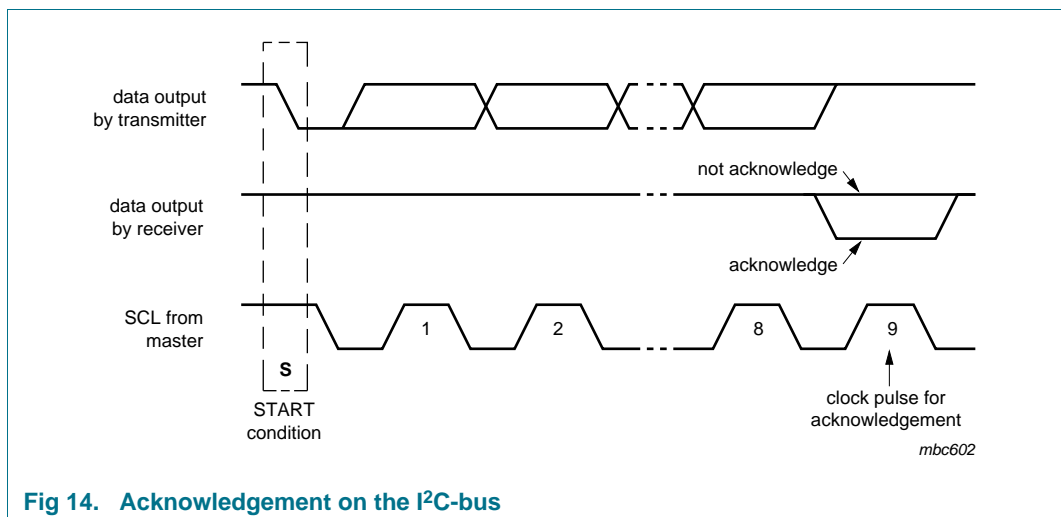


Fig 14. Acknowledgement on the I²C-bus

9.5 I²C bus protocol

After a START condition, the I²C slave address has to be sent to the PCF8591 device.

Eight different I²C-bus slave addresses can be used to address the PCF8591 (see [Table 5](#)).

Table 5. I²C slave address byte

| Bit | Slave address | | | | | | | 0 LSB |
|---------------|---------------|---|---|---|----|----|----|----------|
| | 7 MSB | 6 | 5 | 4 | 3 | 2 | 1 | |
| slave address | 1 | 0 | 0 | 1 | A2 | A1 | A0 | R/W |

The least significant bit of the slave address byte is bit R/W (see [Table 6](#)).

Table 6. R/W-bit description

| R/W | Description |
|-----|-------------|
| 0 | write data |
| 1 | read data |

Bit 1 to bit 3 of the slave address are defined by connecting the input pins A0 to A2 to either V_{SS} (logic 0) or V_{DD} (logic 1). Therefore, eight instances of PCF8591 can be distinguished on the same I²C-bus.

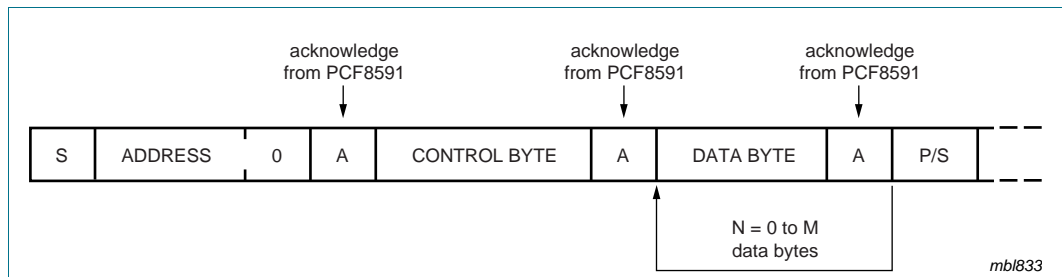


Fig 15. Bus protocol for write mode, D/A conversion

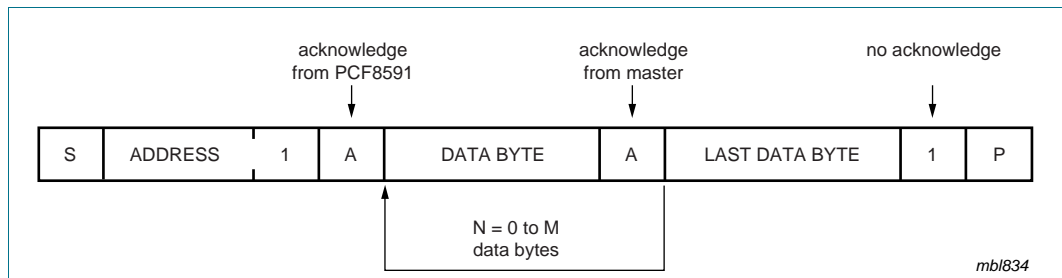


Fig 16. Bus protocol for read mode, A/D conversion

10. Application design-in information

Inputs must be connected to V_{SS} or V_{DD} when not in use. Analog inputs may also be connected to AGND or V_{REF} .

In order to prevent excessive ground and supply noise and to minimize crosstalk of the digital to analog signal paths the printed-circuit board layout must be very carefully designed. Supply lines common to a PCF8591 device and noisy digital circuits and ground loops should be avoided. Decoupling capacitors ($>10 \mu\text{F}$) are recommended for power supply and reference voltage inputs.

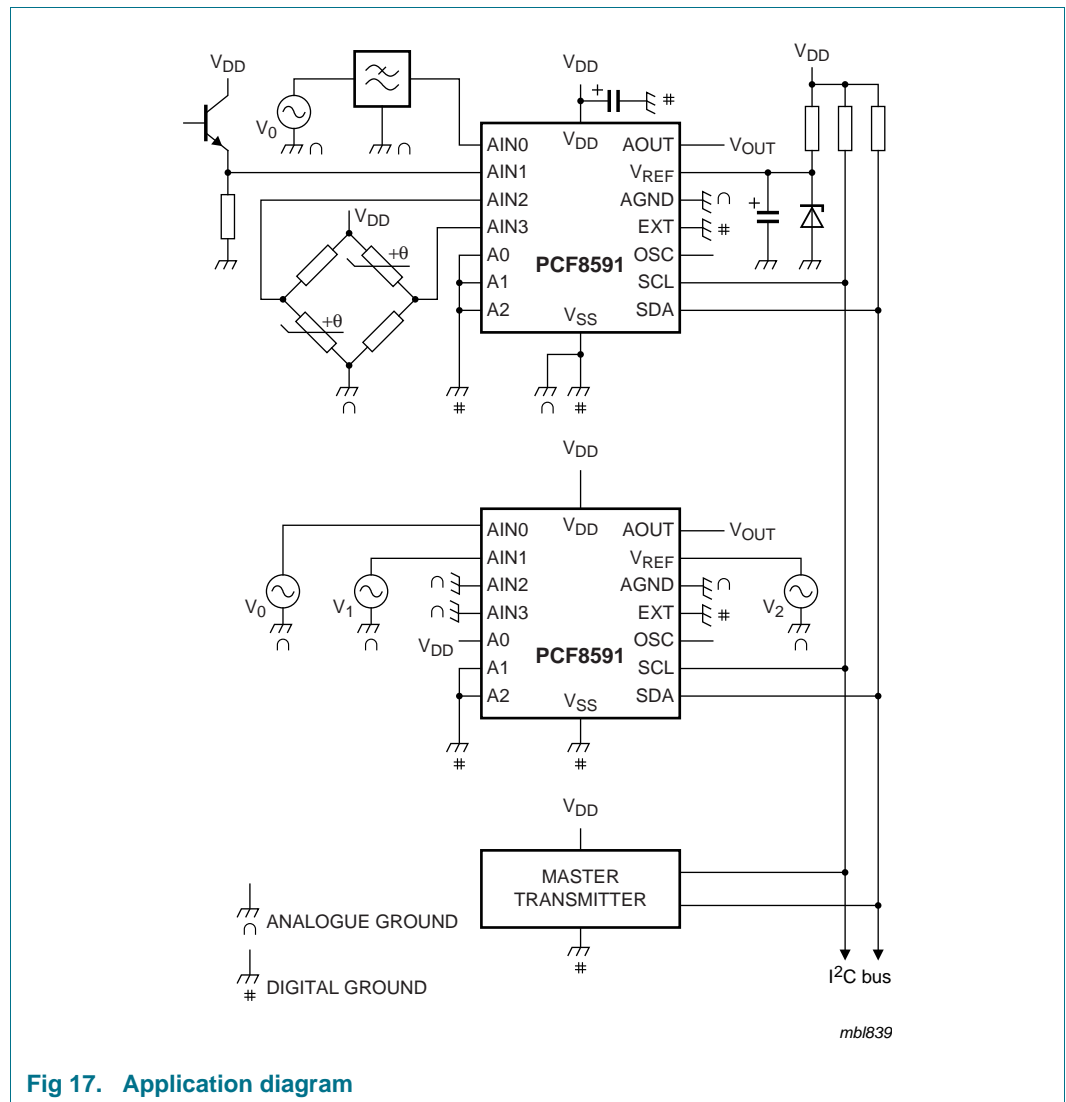


Fig 17. Application diagram

11. Internal circuitry

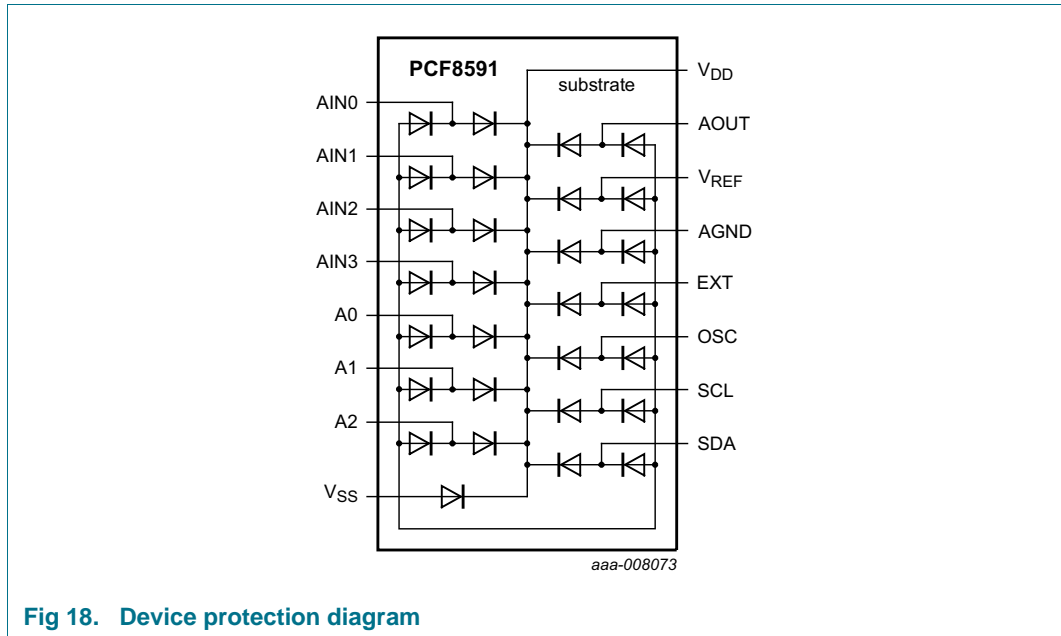


Fig 18. Device protection diagram

12. Safety notes

CAUTION



This device is sensitive to ElectroStatic Discharge (ESD). Observe precautions for handling electrostatic sensitive devices.

Such precautions are described in the *ANSI/ESD S20.20*, *IEC/ST 61340-5*, *JESD625-A* or equivalent standards.

13. Limiting values

Table 7. Limiting values

In accordance with the Absolute Maximum Rating System (IEC 60134).

| Symbol | Parameter | Conditions | Min | Max | Unit |
|-----------|---------------------------------|------------------|---------|----------------|------|
| V_{DD} | supply voltage | | -0.5 | +8.0 | V |
| V_I | input voltage | any input | -0.5 | $V_{DD} + 0.5$ | V |
| I_I | input current | | - | ± 10 | mA |
| I_O | output current | | - | ± 20 | mA |
| I_{DD} | supply current | | - | ± 50 | mA |
| I_{SS} | ground supply current | | - | ± 50 | mA |
| P_{tot} | total power dissipation | per package | - | 300 | mW |
| P_{out} | power dissipation per output | | - | 100 | mW |
| V_{ESD} | electrostatic discharge voltage | HBM | [1] - | ± 3000 | V |
| | | MM | [2] - | ± 300 | V |
| I_{lu} | latch-up current | | [3] - | 200 | mA |
| T_{amb} | ambient temperature | operating device | -40 | +85 | °C |
| T_{stg} | storage temperature | | [4] -65 | +150 | °C |

[1] Pass level; Human Body Model (HBM), according to [Ref. 6 "JESD22-A114"](#).

[2] Pass level; Machine Model (MM), according to [Ref. 7 "JESD22-A115"](#).

[3] Pass level; latch-up testing according to [Ref. 8 "JESD78"](#) at maximum ambient temperature ($T_{amb(max)}$).

[4] According to the store and transport requirements (see [Ref. 12 "UM10569"](#)) the devices have to be stored at a temperature of +8 °C to +45 °C and a humidity of 25 % to 75 %.

14. Characteristics

14.1 Static characteristics

Table 8. Characteristics

$V_{DD} = 2.5\text{ V to }6.0\text{ V}$; $V_{SS} = 0$; $T_{amb} = -40\text{ }^{\circ}\text{C to }+85\text{ }^{\circ}\text{C}$ unless otherwise specified.

| Symbol | Parameter | Conditions | Min | Typ | Max | Unit |
|--|--------------------------|---|---------------------|------|---------------------|---------------|
| Supply | | | | | | |
| V_{DD} | supply voltage | | 2.5 | - | 6.0 | V |
| I_{DD} | supply current | standby; $V_I = V_{SS}$ or V_{DD} ; no load | - | 1 | 15 | μA |
| | | operating; $f_{SCL} = 100\text{ kHz}$ | | | | |
| | | AOUT off | - | 125 | 250 | μA |
| | | AOUT active | - | 0.45 | 1.0 | mA |
| V_{POR} | power-on reset voltage | | [1] 0.8 | - | 2.0 | V |
| Digital in- and outputs: SCL, SDA, A0, A1, A2 | | | | | | |
| V_{IL} | LOW-level input voltage | | 0 | - | $0.3 \times V_{DD}$ | V |
| V_{IH} | HIGH-level input voltage | | $0.7 \times V_{DD}$ | - | V_{DD} | V |
| I_L | leakage current | $V_I = V_{SS}$ to V_{DD} | | | | |
| | | A0, A1, A2 | -250 | - | +250 | nA |
| | | SCL, SDA | -1 | - | +1 | μA |
| C_i | input capacitance | | - | - | 5 | pF |
| I_{OL} | LOW-level output current | $V_{OL} = 0.4\text{ V}$ | 3.0 | - | - | mA |
| Reference voltage inputs | | | | | | |
| V_{ref} | reference voltage | $V_{ref} > V_{AGND}$ | [2] $V_{SS} + 1.6$ | - | V_{DD} | V |
| V_{AGND} | voltage on pin AGND | $V_{ref} > V_{AGND}$ | [2] V_{SS} | - | $V_{DD} - 0.8$ | V |
| I_{LI} | input leakage current | | -250 | - | +250 | nA |
| R_{ref} | reference resistance | pins V_{REF} and AGND | - | 100 | - | k Ω |
| Oscillator: OSC, EXT | | | | | | |
| I_{LI} | input leakage current | | - | - | 250 | nA |
| f_{OSC} | oscillator frequency | | 0.75 | - | 1.25 | MHz |

[1] The power-on reset circuit resets the I²C-bus logic when V_{DD} is less than V_{POR} .

[2] A further extension of the range is possible, if the following conditions are fulfilled: $\frac{V_{ref} + V_{AGND}}{2} \geq 0.8\text{ V}$,

$$V_{DD} - \frac{V_{ref} + V_{AGND}}{2} \geq 0.4\text{ V}.$$

14.2 D/A characteristics

Table 9. D/A characteristics

$V_{DD} = 5.0\text{ V}$; $V_{SS} = 0$; $V_{REF} = 5.0\text{ V}$; $V_{AGND} = 0\text{ V}$; $R_L = 10\text{ k}\Omega$; $C_L = 100\text{ pF}$; $T_{amb} = -40\text{ }^\circ\text{C}$ to $+85\text{ }^\circ\text{C}$ unless otherwise specified.

| Symbol | Parameter | Conditions | Min | Typ | Max | Unit |
|----------------------|------------------------------|--|----------|-----|---------------------|---------------|
| Analog output | | | | | | |
| V_{oa} | analog output voltage | no resistive load | V_{SS} | - | V_{DD} | V |
| | | $R_L = 10\text{ k}\Omega$ | V_{SS} | - | $0.9 \times V_{DD}$ | V |
| I_{LO} | output leakage current | AOUT disabled | - | - | 250 | nA |
| Accuracy | | | | | | |
| E_O | offset error | $T_{amb} = 25\text{ }^\circ\text{C}$ | - | - | 50 | mV |
| E_L | linearity error | | - | - | ± 1.5 | LSB |
| E_G | gain error | no resistive load | - | - | 1 | % |
| $t_{s(DAC)}$ | DAC settling time | to 1/2 LSB full scale | - | - | 90 | μs |
| $f_{c(DAC)}$ | DAC conversion frequency | | - | - | 11.1 | kHz |
| SNRR | supply noise rejection ratio | $f = 100\text{ Hz}$; $V_{DDN} = 0.1 \times V_{PP}$ | - | 40 | - | dB |

14.3 A/D characteristics

Table 10. A/D characteristics

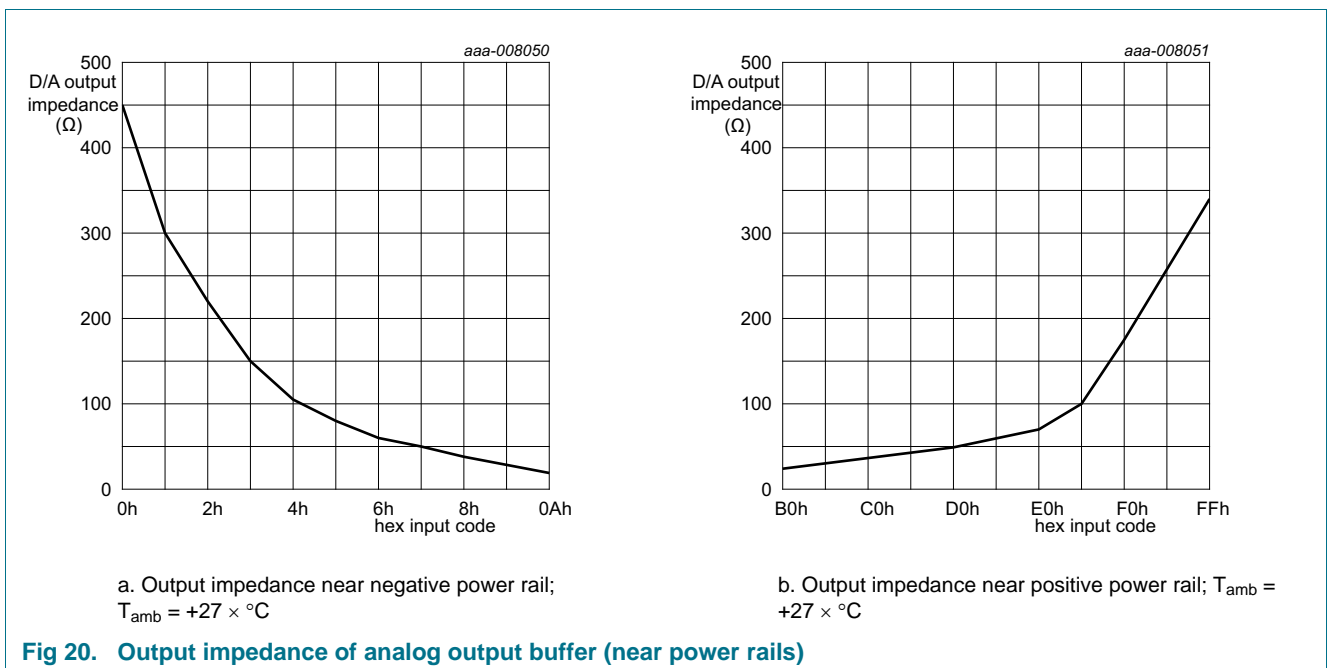
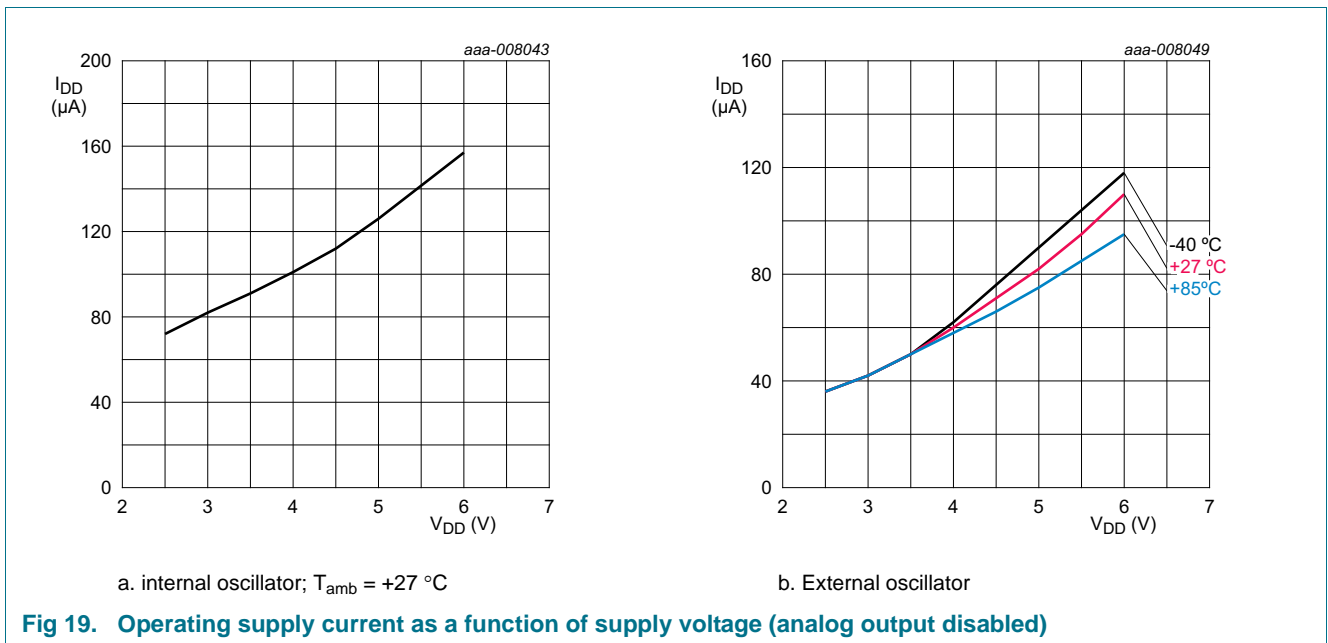
$V_{DD} = 5.0\text{ V}$; $V_{SS} = 0$; $V_{REF} = 5.0\text{ V}$; $V_{AGND} = 0\text{ V}$; $R_S = 10\text{ k}\Omega$; $T_{amb} = -40\text{ }^\circ\text{C}$ to $+85\text{ }^\circ\text{C}$ unless otherwise specified.

| Symbol | Parameter | Conditions | Min | Typ | Max | Unit |
|----------------------|--------------------------------|---|---------------------|-----|---------------------|------|
| Analog inputs | | | | | | |
| V_{ia} | analog input voltage | | V_{SS} | - | V_{DD} | V |
| I_{LIA} | analog input leakage current | | - | - | 100 | nA |
| $C_{i(a)}$ | analog input capacitance | | - | 10 | - | pF |
| $C_{i(dif)}$ | differential input capacitance | | - | 10 | - | pF |
| $V_{i(se)}$ | single-ended input voltage | measuring range | V_{AGND} | - | V_{REF} | V |
| $V_{i(dif)}$ | differential input voltage | measuring range: $V_{FS} = V_{REF} - V_{AGND}$ | $\frac{-V_{FS}}{2}$ | - | $\frac{+V_{FS}}{2}$ | V |
| Accuracy | | | | | | |
| E_O | offset error | $T_{amb} = 25\text{ }^\circ\text{C}$ | - | - | 20 | mV |
| E_L | linearity error | | - | - | ± 1.5 | LSB |
| E_G | gain error | | - | - | 1 | % |
| | | small signal; $\Delta V_i = 16\text{ LSB}$ | - | - | 5 | % |
| CMRR | common mode rejection ratio | | - | 60 | - | dB |

Table 10. A/D characteristics ...continued

$V_{DD} = 5.0\text{ V}$; $V_{SS} = 0$; $V_{REF} = 5.0\text{ V}$; $V_{AGND} = 0\text{ V}$; $R_S = 10\text{ k}\Omega$; $T_{amb} = -40\text{ }^\circ\text{C}$ to $+85\text{ }^\circ\text{C}$ unless otherwise specified.

| Symbol | Parameter | Conditions | Min | Typ | Max | Unit |
|------------|------------------------------|--|-----|-----|------|---------------|
| SNRR | supply noise rejection ratio | $f = 100\text{ Hz}$; $V_{DDN} = 0.1 \times V_{PP}$ | - | 40 | - | dB |
| t_{conv} | conversion time | | - | - | 90 | μs |
| f_s | sampling frequency | | - | - | 11.1 | kHz |



14.4 Dynamic characteristics

Table 11. Dynamic characteristics

All timing characteristics are valid within the operating supply voltage and ambient temperature range and reference to V_{IL} and V_{IH} with an input voltage swing of V_{SS} to V_{DD} .

| Symbol | Parameter | Min | Typ | Max | Unit |
|--|---|---------------------|-----|-----|---------|
| I²C bus timing (see Figure 21) | | [1] | | | |
| f_{SCL} | SCL clock frequency | - | - | 100 | kHz |
| t_{SP} | pulse width of spikes that must be suppressed by the input filter | - | - | 100 | ns |
| t_{BUF} | bus free time between a STOP and START condition | 4.7 | - | - | μ S |
| $t_{SU;STA}$ | set-up time for a repeated START condition | 4.7 | - | - | μ S |
| $t_{HD;STA}$ | hold time (repeated) START condition | 4.0 | - | - | μ S |
| t_{LOW} | LOW period of the SCL clock | 4.7 | - | - | μ S |
| t_{HIGH} | HIGH period of the SCL clock | 4.0 | - | - | μ S |
| t_r | rise time of both SDA and SCL signals | - | - | 1.0 | μ S |
| t_f | fall time of both SDA and SCL signals | - | - | 0.3 | μ S |
| $t_{SU;DAT}$ | data set-up time | 250 | - | - | μ S |
| $t_{HD;DAT}$ | data hold time | 0 | - | - | μ S |
| $t_{VD;DAT}$ | data valid time | - | - | 3.4 | μ S |
| $t_{SU;STO}$ | set-up time for STOP condition | 4.0 | - | - | μ S |

[1] A detailed description of the I²C bus specification, with applications, is given in [Ref. 11 "UM10204"](#).

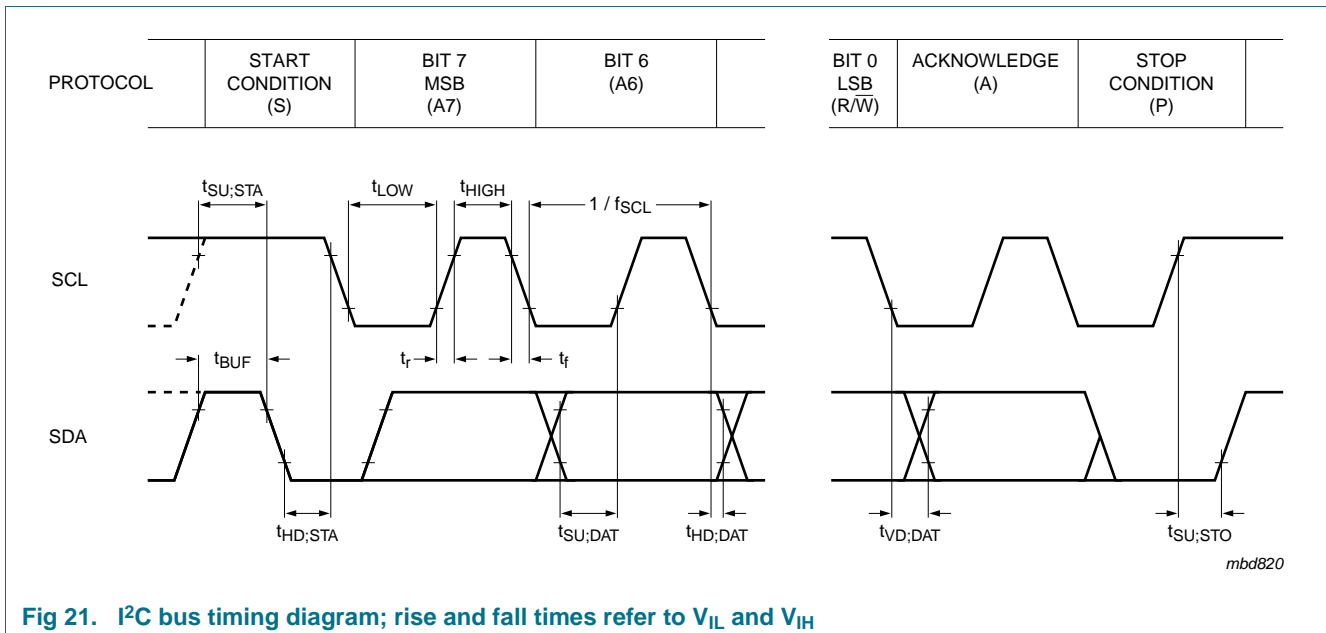
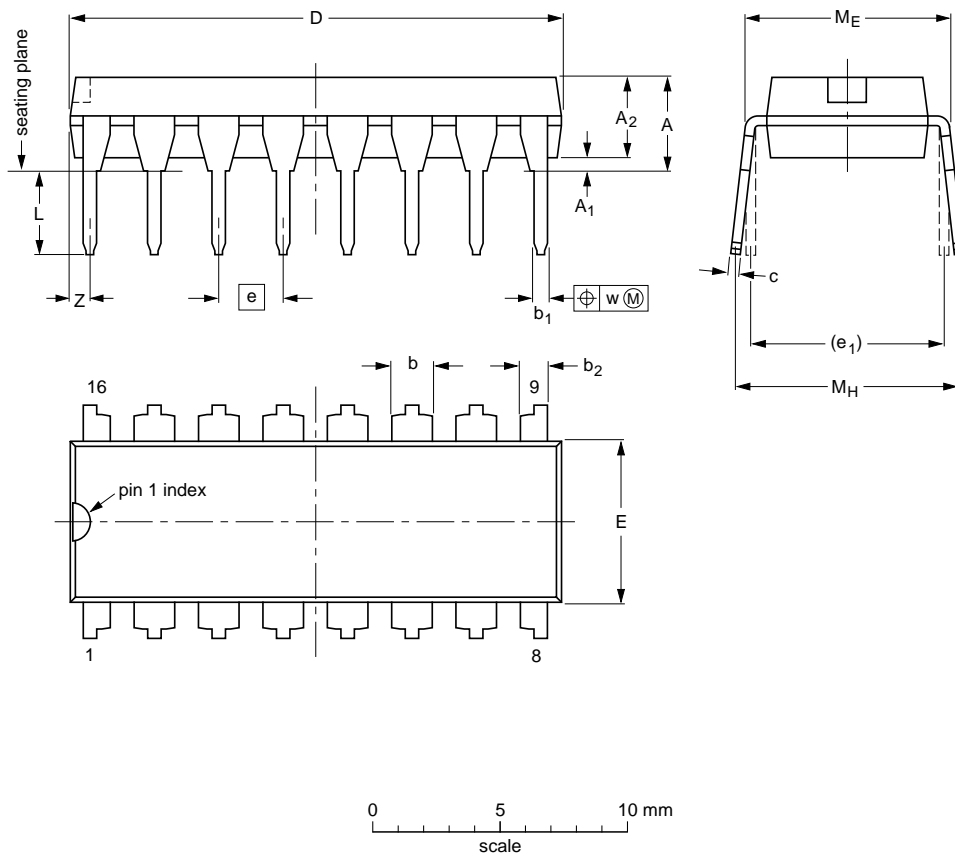


Fig 21. I²C bus timing diagram; rise and fall times refer to V_{IL} and V_{IH}

15. Package outline

DIP16: plastic dual in-line package; 16 leads (300 mil)

SOT38-4



DIMENSIONS (inch dimensions are derived from the original mm dimensions)

| UNIT | A max. | A ₁ min. | A ₂ max. | b | b ₁ | b ₂ | c | D ⁽¹⁾ | E ⁽¹⁾ | e | e ₁ | L | M _E | M _H | w | Z ⁽¹⁾ max. |
|--------|--------|---------------------|---------------------|----------------|----------------|----------------|----------------|------------------|------------------|------|----------------|--------------|----------------|----------------|-------|-----------------------|
| mm | 4.2 | 0.51 | 3.2 | 1.73 1.30 | 0.53 0.38 | 1.25 0.85 | 0.36 0.23 | 19.50 18.55 | 6.48 6.20 | 2.54 | 7.62 | 3.60 3.05 | 8.25 7.80 | 10.0 8.3 | 0.254 | 0.76 |
| inches | 0.17 | 0.02 | 0.13 | 0.068 0.051 | 0.021 0.015 | 0.049 0.033 | 0.014 0.009 | 0.77 0.73 | 0.26 0.24 | 0.1 | 0.3 | 0.14 0.12 | 0.32 0.31 | 0.39 0.33 | 0.01 | 0.03 |

Note

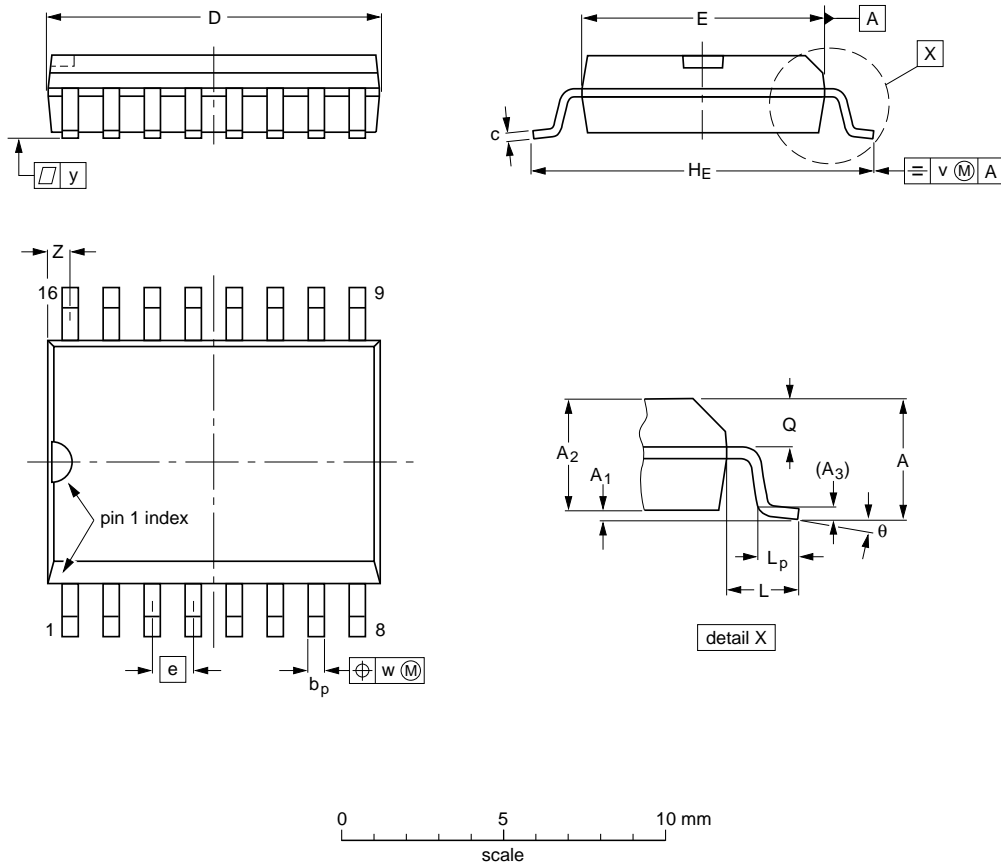
1. Plastic or metal protrusions of 0.25 mm (0.01 inch) maximum per side are not included.

| OUTLINE VERSION | REFERENCES | | | | EUROPEAN PROJECTION | ISSUE DATE |
|-----------------|------------|-------|-------|--|---------------------|----------------------|
| | IEC | JEDEC | JEITA | | | |
| SOT38-4 | | | | | | 95-01-14 03-02-13 |

Fig 22. DIP16: plastic dual in-line package; 16 leads (300 mil)

SO16: plastic small outline package; 16 leads; body width 7.5 mm

SOT162-1



DIMENSIONS (inch dimensions are derived from the original mm dimensions)

| UNIT | A max. | A ₁ | A ₂ | A ₃ | b _p | c | D ⁽¹⁾ | E ⁽¹⁾ | e | H _E | L | L _p | Q | v | w | y | Z ⁽¹⁾ | θ |
|--------|--------|----------------|----------------|----------------|----------------|----------------|------------------|------------------|------|----------------|-------|----------------|----------------|------|------|-------|------------------|----------|
| mm | 2.65 | 0.3 0.1 | 2.45 2.25 | 0.25 | 0.49 0.36 | 0.32 0.23 | 10.5 10.1 | 7.6 7.4 | 1.27 | 10.65 10.00 | 1.4 | 1.1 0.4 | 1.1 1.0 | 0.25 | 0.25 | 0.1 | 0.9 0.4 | 8° 0° |
| inches | 0.1 | 0.012 0.004 | 0.096 0.089 | 0.01 | 0.019 0.014 | 0.013 0.009 | 0.41 0.40 | 0.30 0.29 | 0.05 | 0.419 0.394 | 0.055 | 0.043 0.016 | 0.043 0.039 | 0.01 | 0.01 | 0.004 | 0.035 0.016 | |

Note

1. Plastic or metal protrusions of 0.15 mm (0.006 inch) maximum per side are not included.

| OUTLINE VERSION | REFERENCES | | | | EUROPEAN PROJECTION | ISSUE DATE |
|-----------------|------------|--------|-------|--|---------------------|----------------------|
| | IEC | JEDEC | JEITA | | | |
| SOT162-1 | 075E03 | MS-013 | | | | 99-12-27 03-02-19 |

Fig 23. SO16: plastic small outline package; 16 leads: body width 7.5 mm

16. Soldering of SMD packages

This text provides a very brief insight into a complex technology. A more in-depth account of soldering ICs can be found in Application Note *AN10365 "Surface mount reflow soldering description"*.

16.1 Introduction to soldering

Soldering is one of the most common methods through which packages are attached to Printed Circuit Boards (PCBs), to form electrical circuits. The soldered joint provides both the mechanical and the electrical connection. There is no single soldering method that is ideal for all IC packages. Wave soldering is often preferred when through-hole and Surface Mount Devices (SMDs) are mixed on one printed wiring board; however, it is not suitable for fine pitch SMDs. Reflow soldering is ideal for the small pitches and high densities that come with increased miniaturization.

16.2 Wave and reflow soldering

Wave soldering is a joining technology in which the joints are made by solder coming from a standing wave of liquid solder. The wave soldering process is suitable for the following:

- Through-hole components
- Leaded or leadless SMDs, which are glued to the surface of the printed circuit board

Not all SMDs can be wave soldered. Packages with solder balls, and some leadless packages which have solder lands underneath the body, cannot be wave soldered. Also, leaded SMDs with leads having a pitch smaller than ~0.6 mm cannot be wave soldered, due to an increased probability of bridging.

The reflow soldering process involves applying solder paste to a board, followed by component placement and exposure to a temperature profile. Leaded packages, packages with solder balls, and leadless packages are all reflow solderable.

Key characteristics in both wave and reflow soldering are:

- Board specifications, including the board finish, solder masks and vias
- Package footprints, including solder thieves and orientation
- The moisture sensitivity level of the packages
- Package placement
- Inspection and repair
- Lead-free soldering versus SnPb soldering

16.3 Wave soldering

Key characteristics in wave soldering are:

- Process issues, such as application of adhesive and flux, clinching of leads, board transport, the solder wave parameters, and the time during which components are exposed to the wave
- Solder bath specifications, including temperature and impurities

16.4 Reflow soldering

Key characteristics in reflow soldering are:

- Lead-free versus SnPb soldering; note that a lead-free reflow process usually leads to higher minimum peak temperatures (see [Figure 24](#)) than a SnPb process, thus reducing the process window
- Solder paste printing issues including smearing, release, and adjusting the process window for a mix of large and small components on one board
- Reflow temperature profile; this profile includes preheat, reflow (in which the board is heated to the peak temperature) and cooling down. It is imperative that the peak temperature is high enough for the solder to make reliable solder joints (a solder paste characteristic). In addition, the peak temperature must be low enough that the packages and/or boards are not damaged. The peak temperature of the package depends on package thickness and volume and is classified in accordance with [Table 12](#) and [13](#)

Table 12. SnPb eutectic process (from J-STD-020D)

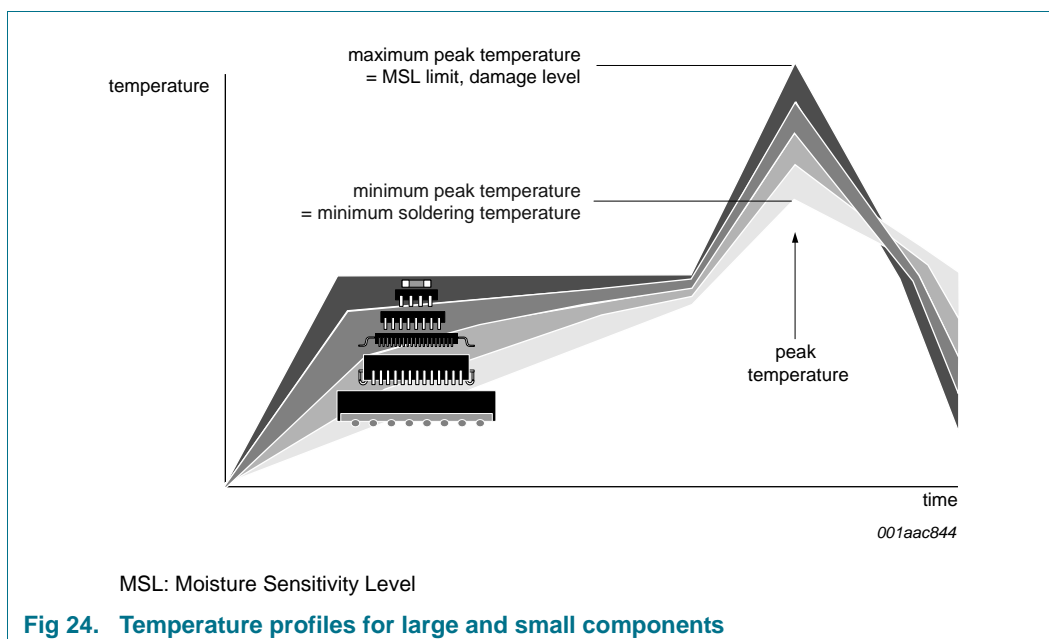
| Package thickness (mm) | Package reflow temperature (°C) | |
|------------------------|---------------------------------|-------|
| | Volume (mm ³) | |
| | < 350 | ≥ 350 |
| < 2.5 | 235 | 220 |
| ≥ 2.5 | 220 | 220 |

Table 13. Lead-free process (from J-STD-020D)

| Package thickness (mm) | Package reflow temperature (°C) | | |
|------------------------|---------------------------------|-------------|--------|
| | Volume (mm ³) | | |
| | < 350 | 350 to 2000 | > 2000 |
| < 1.6 | 260 | 260 | 260 |
| 1.6 to 2.5 | 260 | 250 | 245 |
| > 2.5 | 250 | 245 | 245 |

Moisture sensitivity precautions, as indicated on the packing, must be respected at all times.

Studies have shown that small packages reach higher temperatures during reflow soldering, see [Figure 24](#).



For further information on temperature profiles, refer to Application Note *AN10365* “Surface mount reflow soldering description”.

17. References

- [1] **AN10365** — Surface mount reflow soldering description
- [2] **AN10853** — ESD and EMC sensitivity of IC
- [3] **IEC 60134** — Rating systems for electronic tubes and valves and analogous semiconductor devices
- [4] **IEC 61340-5** — Protection of electronic devices from electrostatic phenomena
- [5] **IPC/JEDEC J-STD-020D** — Moisture/Reflow Sensitivity Classification for Nonhermetic Solid State Surface Mount Devices
- [6] **JESD22-A114** — Electrostatic Discharge (ESD) Sensitivity Testing Human Body Model (HBM)
- [7] **JESD22-A115** — Electrostatic Discharge (ESD) Sensitivity Testing Machine Model (MM)
- [8] **JESD78** — IC Latch-Up Test
- [9] **JESD625-A** — Requirements for Handling Electrostatic-Discharge-Sensitive (ESDS) Devices
- [10] **SNV-FA-01-02** — Marking Formats Integrated Circuits
- [11] **UM10204** — I²C-bus specification and user manual
- [12] **UM10569** — Store and transport requirements

18. Revision history

Table 14. Revision history

| Document ID | Release date | Data sheet status | Change notice | Supersedes |
|----------------|--|--------------------|---------------|-------------|
| PCF8591 v.7 | 20130627 | Product data sheet | - | PCF8591 v.6 |
| Modifications: | <ul style="list-style-type: none">• The format of this data sheet has been redesigned to comply with the new identity guidelines of NXP Semiconductors.• Legal texts have been adapted to the new company name where appropriate. | | | |
| PCF8591 v.6 | 20030127 | Product data sheet | - | PCF8591 v.5 |
| PCF8591 v.5 | 20011213 | Product data sheet | - | PCF8591 v.4 |
| PCF8591 v.4 | 19980702 | Product data sheet | - | PCF8591 v.3 |
| PCF8591 v.3 | 19970402 | Product data sheet | - | PCF8591 v.2 |
| PCF8591 v.2 | 19910901 | Product data sheet | - | PCF8591 v.1 |
| PCF8591 v.1 | 19860627 | Product data sheet | - | - |

19. Legal information

19.1 Data sheet status

| Document status ^{[1][2]} | Product status ^[3] | Definition |
|-----------------------------------|-------------------------------|---|
| Objective [short] data sheet | Development | This document contains data from the objective specification for product development. |
| Preliminary [short] data sheet | Qualification | This document contains data from the preliminary specification. |
| Product [short] data sheet | Production | This document contains the product specification. |

[1] Please consult the most recently issued document before initiating or completing a design.

[2] The term 'short data sheet' is explained in section "Definitions".

[3] The product status of device(s) described in this document may have changed since this document was published and may differ in case of multiple devices. The latest product status information is available on the Internet at URL <http://www.nxp.com>.

19.2 Definitions

Draft — The document is a draft version only. The content is still under internal review and subject to formal approval, which may result in modifications or additions. NXP Semiconductors does not give any representations or warranties as to the accuracy or completeness of information included herein and shall have no liability for the consequences of use of such information.

Short data sheet — A short data sheet is an extract from a full data sheet with the same product type number(s) and title. A short data sheet is intended for quick reference only and should not be relied upon to contain detailed and full information. For detailed and full information see the relevant full data sheet, which is available on request via the local NXP Semiconductors sales office. In case of any inconsistency or conflict with the short data sheet, the full data sheet shall prevail.

Product specification — The information and data provided in a Product data sheet shall define the specification of the product as agreed between NXP Semiconductors and its customer, unless NXP Semiconductors and customer have explicitly agreed otherwise in writing. In no event however, shall an agreement be valid in which the NXP Semiconductors product is deemed to offer functions and qualities beyond those described in the Product data sheet.

19.3 Disclaimers

Limited warranty and liability — Information in this document is believed to be accurate and reliable. However, NXP Semiconductors does not give any representations or warranties, expressed or implied, as to the accuracy or completeness of such information and shall have no liability for the consequences of use of such information. NXP Semiconductors takes no responsibility for the content in this document if provided by an information source outside of NXP Semiconductors.

In no event shall NXP Semiconductors be liable for any indirect, incidental, punitive, special or consequential damages (including - without limitation - lost profits, lost savings, business interruption, costs related to the removal or replacement of any products or rework charges) whether or not such damages are based on tort (including negligence), warranty, breach of contract or any other legal theory.

Notwithstanding any damages that customer might incur for any reason whatsoever, NXP Semiconductors' aggregate and cumulative liability towards customer for the products described herein shall be limited in accordance with the *Terms and conditions of commercial sale* of NXP Semiconductors.

Right to make changes — NXP Semiconductors reserves the right to make changes to information published in this document, including without limitation specifications and product descriptions, at any time and without notice. This document supersedes and replaces all information supplied prior to the publication hereof.

Suitability for use — NXP Semiconductors products are not designed, authorized or warranted to be suitable for use in life support, life-critical or safety-critical systems or equipment, nor in applications where failure or malfunction of an NXP Semiconductors product can reasonably be expected to result in personal injury, death or severe property or environmental damage. NXP Semiconductors and its suppliers accept no liability for inclusion and/or use of NXP Semiconductors products in such equipment or applications and therefore such inclusion and/or use is at the customer's own risk.

Applications — Applications that are described herein for any of these products are for illustrative purposes only. NXP Semiconductors makes no representation or warranty that such applications will be suitable for the specified use without further testing or modification.

Customers are responsible for the design and operation of their applications and products using NXP Semiconductors products, and NXP Semiconductors accepts no liability for any assistance with applications or customer product design. It is customer's sole responsibility to determine whether the NXP Semiconductors product is suitable and fit for the customer's applications and products planned, as well as for the planned application and use of customer's third party customer(s). Customers should provide appropriate design and operating safeguards to minimize the risks associated with their applications and products.

NXP Semiconductors does not accept any liability related to any default, damage, costs or problem which is based on any weakness or default in the customer's applications or products, or the application or use by customer's third party customer(s). Customer is responsible for doing all necessary testing for the customer's applications and products using NXP Semiconductors products in order to avoid a default of the applications and the products or of the application or use by customer's third party customer(s). NXP does not accept any liability in this respect.

Limiting values — Stress above one or more limiting values (as defined in the Absolute Maximum Ratings System of IEC 60134) will cause permanent damage to the device. Limiting values are stress ratings only and (proper) operation of the device at these or any other conditions above those given in the Recommended operating conditions section (if present) or the Characteristics sections of this document is not warranted. Constant or repeated exposure to limiting values will permanently and irreversibly affect the quality and reliability of the device.

Terms and conditions of commercial sale — NXP Semiconductors products are sold subject to the general terms and conditions of commercial sale, as published at <http://www.nxp.com/profile/terms>, unless otherwise agreed in a valid written individual agreement. In case an individual agreement is concluded only the terms and conditions of the respective agreement shall apply. NXP Semiconductors hereby expressly objects to applying the customer's general terms and conditions with regard to the purchase of NXP Semiconductors products by customer.

No offer to sell or license — Nothing in this document may be interpreted or construed as an offer to sell products that is open for acceptance or the grant, conveyance or implication of any license under any copyrights, patents or other industrial or intellectual property rights.

Export control — This document as well as the item(s) described herein may be subject to export control regulations. Export might require a prior authorization from competent authorities.

Non-automotive qualified products — Unless this data sheet expressly states that this specific NXP Semiconductors product is automotive qualified, the product is not suitable for automotive use. It is neither qualified nor tested in accordance with automotive testing or application requirements. NXP Semiconductors accepts no liability for inclusion and/or use of non-automotive qualified products in automotive equipment or applications.

In the event that customer uses the product for design-in and use in automotive applications to automotive specifications and standards, customer (a) shall use the product without NXP Semiconductors' warranty of the product for such automotive applications, use and specifications, and (b) whenever customer uses the product for automotive applications beyond NXP Semiconductors' specifications such use shall be solely at customer's

own risk, and (c) customer fully indemnifies NXP Semiconductors for any liability, damages or failed product claims resulting from customer design and use of the product for automotive applications beyond NXP Semiconductors' standard warranty and NXP Semiconductors' product specifications.

Translations — A non-English (translated) version of a document is for reference only. The English version shall prevail in case of any discrepancy between the translated and English versions.

19.4 Trademarks

Notice: All referenced brands, product names, service names and trademarks are the property of their respective owners.

I²C-bus — logo is a trademark of NXP B.V.

20. Contact information

For more information, please visit: <http://www.nxp.com>

For sales office addresses, please send an email to: salesaddresses@nxp.com

21. Tables

| | | |
|-----------|---|----|
| Table 1. | Ordering information | 2 |
| Table 2. | Ordering options | 2 |
| Table 3. | Marking codes | 2 |
| Table 4. | Pin description | 4 |
| Table 5. | I ² C slave address byte | 13 |
| Table 6. | R/W-bit description | 13 |
| Table 7. | Limiting values | 16 |
| Table 8. | Characteristics | 17 |
| Table 9. | D/A characteristics | 18 |
| Table 10. | A/D characteristics | 18 |
| Table 11. | Dynamic characteristics | 20 |
| Table 12. | SnPb eutectic process (from J-STD-020D) | 24 |
| Table 13. | Lead-free process (from J-STD-020D) | 24 |
| Table 14. | Revision history | 26 |

22. Figures

| | | |
|---------|---|----|
| Fig 1. | Block diagram of PCF8591 | 3 |
| Fig 2. | Pin configuration for PCF8591P (DIP16) | 3 |
| Fig 3. | Pin configuration for PCF8591T (SO16) | 3 |
| Fig 4. | Control byte | 6 |
| Fig 5. | DAC resistor divider chain | 7 |
| Fig 6. | DAC data and DC conversion characteristics | 7 |
| Fig 7. | D/A conversion sequence | 8 |
| Fig 8. | A/D conversion sequence | 8 |
| Fig 9. | A/D conversion characteristics of single ended inputs | 9 |
| Fig 10. | A/D conversion characteristics of differential inputs | 10 |
| Fig 11. | Bit transfer | 11 |
| Fig 12. | Definition of START and STOP conditions | 11 |
| Fig 13. | System configuration | 12 |
| Fig 14. | Acknowledgement on the I ² C-bus | 12 |
| Fig 15. | Bus protocol for write mode, D/A conversion | 13 |
| Fig 16. | Bus protocol for read mode, A/D conversion | 13 |
| Fig 17. | Application diagram | 14 |
| Fig 18. | Device protection diagram | 15 |
| Fig 19. | Operating supply current as a function of supply voltage (analog output disabled) | 19 |
| Fig 20. | Output impedance of analog output buffer (near power rails) | 19 |
| Fig 21. | I ² C bus timing diagram; rise and fall times refer to V _{IL} and V _{IH} | 20 |
| Fig 22. | DIP16: plastic dual in-line package; 16 leads (300 mil) | 21 |
| Fig 23. | SO16: plastic small outline package; 16 leads: body width 7.5 mm | 22 |
| Fig 24. | Temperature profiles for large and small components | 25 |

23. Contents

| | | | | | |
|-----------|--|-----------|-------------|----------------------------------|-----------|
| 1 | General description | 1 | 19.4 | Trademarks | 28 |
| 2 | Features and benefits | 1 | 20 | Contact information | 28 |
| 3 | Applications | 1 | 21 | Tables | 29 |
| 4 | Ordering information | 2 | 22 | Figures | 30 |
| 4.1 | Ordering options | 2 | 23 | Contents | 31 |
| 5 | Marking | 2 | | | |
| 6 | Block diagram | 3 | | | |
| 7 | Pinning information | 3 | | | |
| 7.1 | Pinning | 3 | | | |
| 7.2 | Pin description | 4 | | | |
| 8 | Functional description | 5 | | | |
| 8.1 | Addressing | 5 | | | |
| 8.2 | Control byte | 5 | | | |
| 8.3 | D/A conversion | 6 | | | |
| 8.4 | A/D conversion | 8 | | | |
| 8.5 | Reference voltage | 10 | | | |
| 8.6 | Oscillator | 10 | | | |
| 9 | Characteristics of the I²C bus | 11 | | | |
| 9.1 | Bit transfer | 11 | | | |
| 9.2 | START and STOP conditions | 11 | | | |
| 9.3 | System configuration | 11 | | | |
| 9.4 | Acknowledge | 12 | | | |
| 9.5 | I ² C bus protocol | 12 | | | |
| 10 | Application design-in information | 14 | | | |
| 11 | Internal circuitry | 15 | | | |
| 12 | Safety notes | 15 | | | |
| 13 | Limiting values | 16 | | | |
| 14 | Characteristics | 17 | | | |
| 14.1 | Static characteristics | 17 | | | |
| 14.2 | D/A characteristics | 18 | | | |
| 14.3 | A/D characteristics | 18 | | | |
| 14.4 | Dynamic characteristics | 20 | | | |
| 15 | Package outline | 21 | | | |
| 16 | Soldering of SMD packages | 23 | | | |
| 16.1 | Introduction to soldering | 23 | | | |
| 16.2 | Wave and reflow soldering | 23 | | | |
| 16.3 | Wave soldering | 23 | | | |
| 16.4 | Reflow soldering | 24 | | | |
| 17 | References | 25 | | | |
| 18 | Revision history | 26 | | | |
| 19 | Legal information | 27 | | | |
| 19.1 | Data sheet status | 27 | | | |
| 19.2 | Definitions | 27 | | | |
| 19.3 | Disclaimers | 27 | | | |

Please be aware that important notices concerning this document and the product(s) described herein, have been included in section 'Legal information'.

© NXP B.V. 2013.

All rights reserved.

For more information, please visit: <http://www.nxp.com>

For sales office addresses, please send an email to: salesaddresses@nxp.com

Date of release: 27 June 2013

Document identifier: PCF8591

Mouser Electronics

Authorized Distributor

Click to View Pricing, Inventory, Delivery & Lifecycle Information:

[NXP:](#)

[PCF8591P,112](#) [PCF8591T/2,512](#) [PCF8591T/2,518](#)