



ON Semiconductor®

www.onsemi.com

# NDUL09N150C

## Power MOSFET 1500V, 3.0Ω, 9A, N-Channel

### Features

- Low On-Resistance
- Ultra High Voltage
- Pb-Free and RoHS Compliance
- High Speed Switching
- 100% Avalanche Tested

### Specifications

**Absolute Maximum Ratings** at Ta = 25°C

Parameter	Symbol	Value	Unit
Drain to Source Voltage	V <sub>DSS</sub>	1500	V
Gate to Source Voltage	V <sub>GSS</sub>	±30	V
Drain Current (DC)	I <sub>D</sub>	9	A
Drain Current (DC) Limited by Package	I <sub>DL</sub>	6	A
Drain Current (Pulse) PW ≤ 10μs, duty cycle ≤ 1%	I <sub>DP</sub>	18	A
Power Dissipation	P <sub>D</sub>	3.0	W
		T <sub>c</sub> =25°C 78	
Junction Temperature	T <sub>J</sub>	150	°C
Storage Temperature	T <sub>stg</sub>	-55 to +150	°C
Source Current (Body Diode)	I <sub>S</sub>	6	A
Avalanche Energy (Single Pulse) * <sup>1</sup>	E <sub>AS</sub>	197	mJ
Lead Temperature for Soldering Purposes, 3 mm from case for 10 seconds	T <sub>L</sub>	260	°C

### Thermal Resistance Ratings

Parameter	Symbol	Value	Unit
Junction to Case Steady State	R <sub>θJC</sub>	1.60	°C/W
Junction to Ambient * <sup>2</sup>	R <sub>θJA</sub>	41.7	

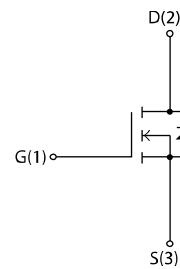
Note : \*<sup>1</sup> V<sub>DD</sub>=50V, L=10mH, I<sub>AV</sub>=6A (Fig.1)

\*<sup>2</sup> Insertion mounted

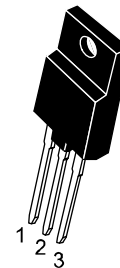
Stresses exceeding those listed in the Maximum Ratings table may damage the device. If any of these limits are exceeded, device functionality should not be assumed, damage may occur and reliability may be affected.

### Electrical Connection

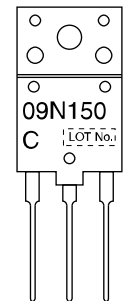
#### N-Channel



### Marking



**TO-3PF-3L  
CASE 340AH**



### ORDERING INFORMATION

See detailed ordering and shipping information on page 5 of this data sheet.

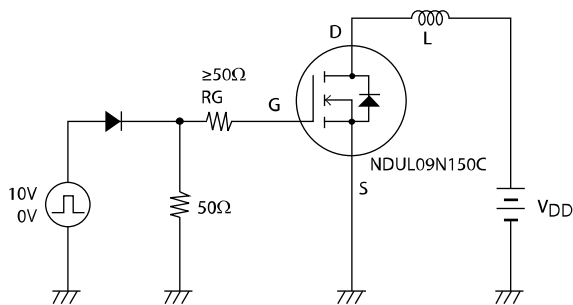
# NDUL09N150C

## Electrical Characteristics at $T_a = 25^\circ\text{C}$

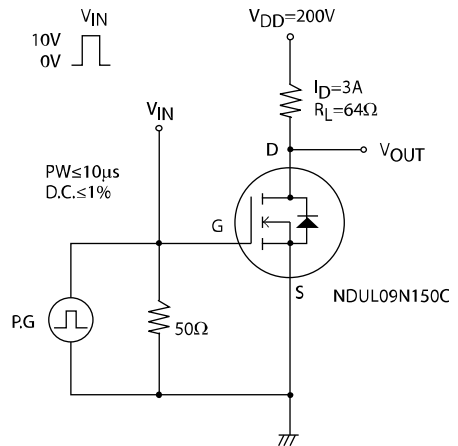
Parameter	Symbol	Conditions	Value			Unit	
			min	typ	max		
Drain to Source Breakdown Voltage	$V_{(BR)DSS}$	$I_D=10\text{mA}, V_{GS}=0\text{V}$	1500			V	
Zero-Gate Voltage Drain Current	$I_{DSS}$	$V_{DS}=1200\text{V}, V_{GS}=0\text{V}$			1	mA	
Gate to Source Leakage Current	$I_{GSS}$	$V_{GS}=\pm 30\text{V}, V_{DS}=0\text{V}$			$\pm 100$	nA	
Gate Threshold Voltage	$V_{GS(th)}$	$V_{DS}=10\text{V}, I_D=1\text{mA}$	2		4	V	
Forward Transconductance	$g_{FS}$	$V_{DS}=20\text{V}, I_D=3\text{A}$		5.2		S	
Static Drain to Source On-State Resistance	$R_{DS(on)}$	$I_D=3\text{A}, V_{GS}=10\text{V}$		2.2	3.0	$\Omega$	
Input Capacitance	$C_{iss}$	$V_{DS}=30\text{V}, f=1\text{MHz}$		2025		pF	
Output Capacitance	$C_{oss}$				222		pF
Reverse Transfer Capacitance	$C_{rss}$				66		pF
Turn-ON Delay Time	$t_{d(on)}$	See Fig.2		33		ns	
Rise Time	$t_r$			75		ns	
Turn-OFF Delay Time	$t_{d(off)}$			500		ns	
Fall Time	$t_f$			111		ns	
Total Gate Charge	$Q_g$	$V_{DS}=200\text{V}, V_{GS}=10\text{V}, I_D=6\text{A}$		114		nC	
Gate to Source Charge	$Q_{gs}$			12		nC	
Gate to Drain "Miller" Charge	$Q_{gd}$			57		nC	
Forward Diode Voltage	$V_{SD}$		$I_S=6\text{A}, V_{GS}=0\text{V}$		0.8	1.5	V
Reverse Recovery Time	$t_{rr}$	See Fig.3		1050		ns	
Reverse Recovery Charge	$Q_{rr}$	$I_S=6\text{A}, V_{GS}=0\text{V}, di/dt=100\text{A}/\mu\text{s}$		9010		nC	

Product parametric performance is indicated in the Electrical Characteristics for the listed test conditions, unless otherwise noted. Product performance may not be indicated by the Electrical Characteristics if operated under different conditions.

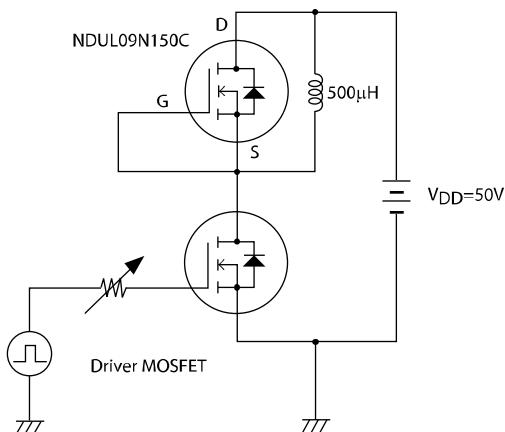
**Fig.1 : Unclamped Inductive Switching Test Circuit**



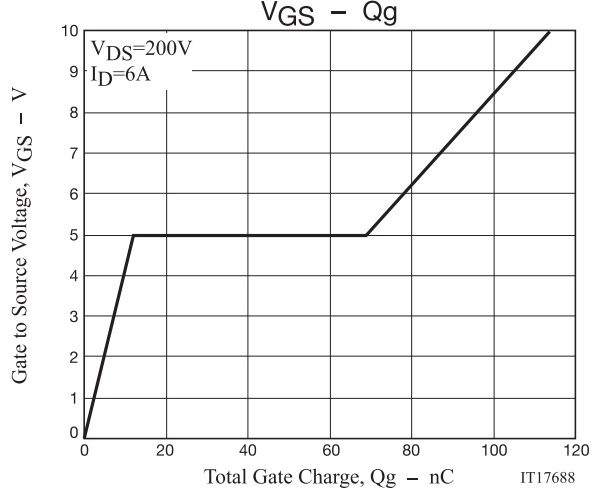
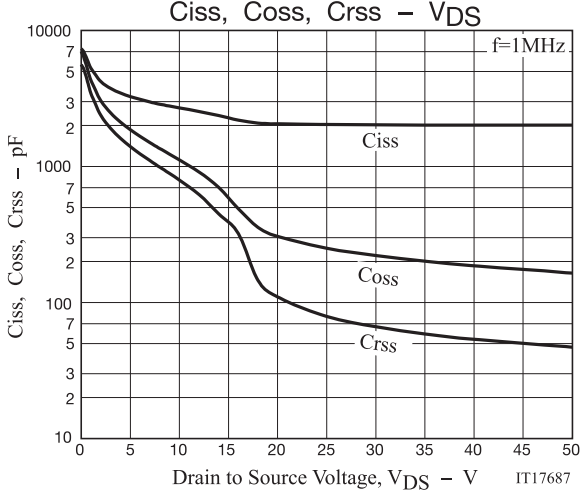
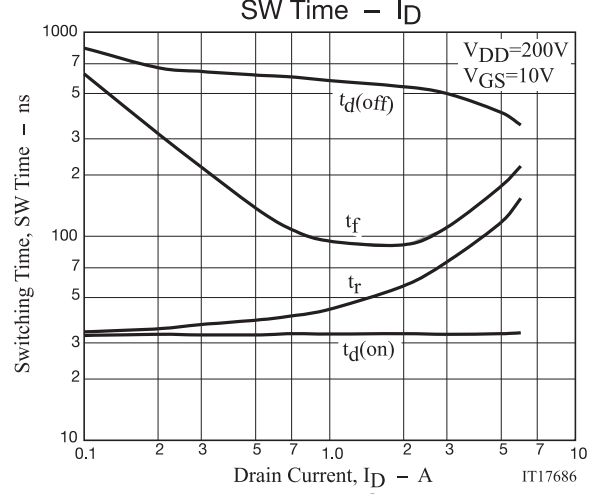
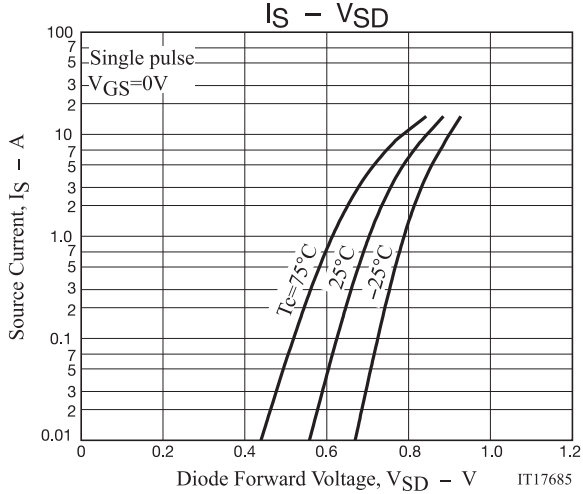
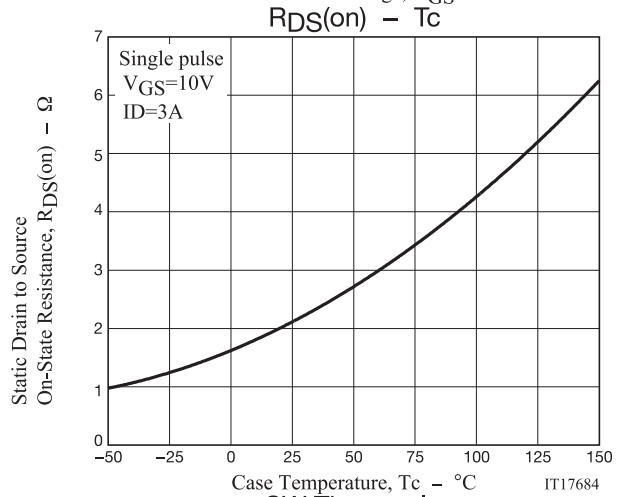
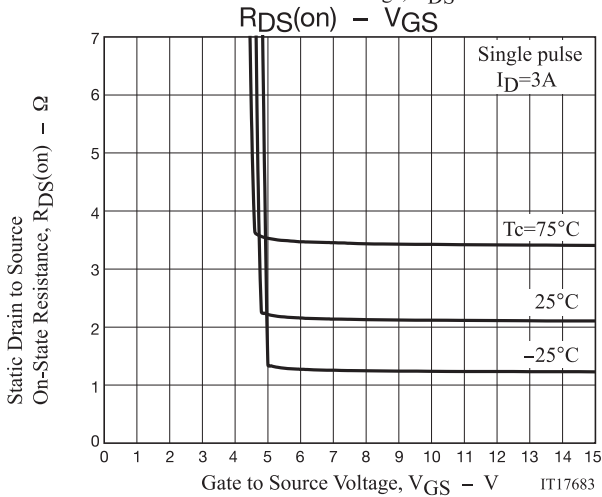
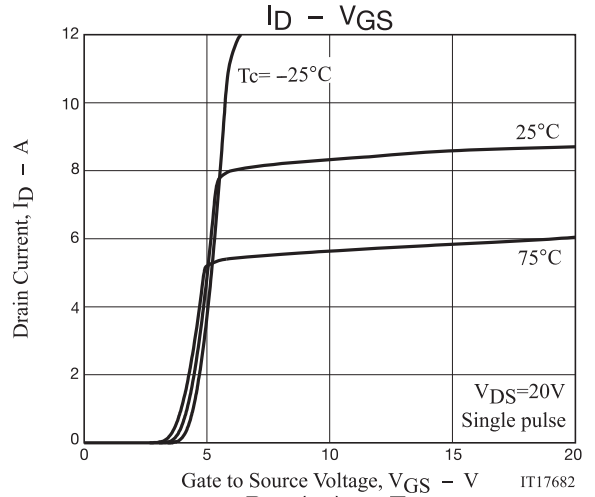
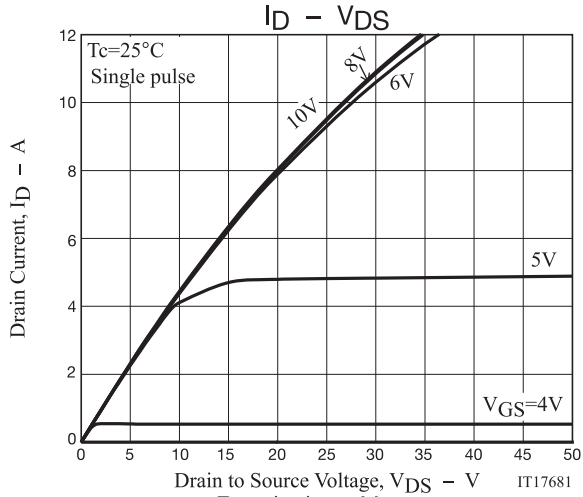
**Fig.2 : Switching Time Test Circuit**



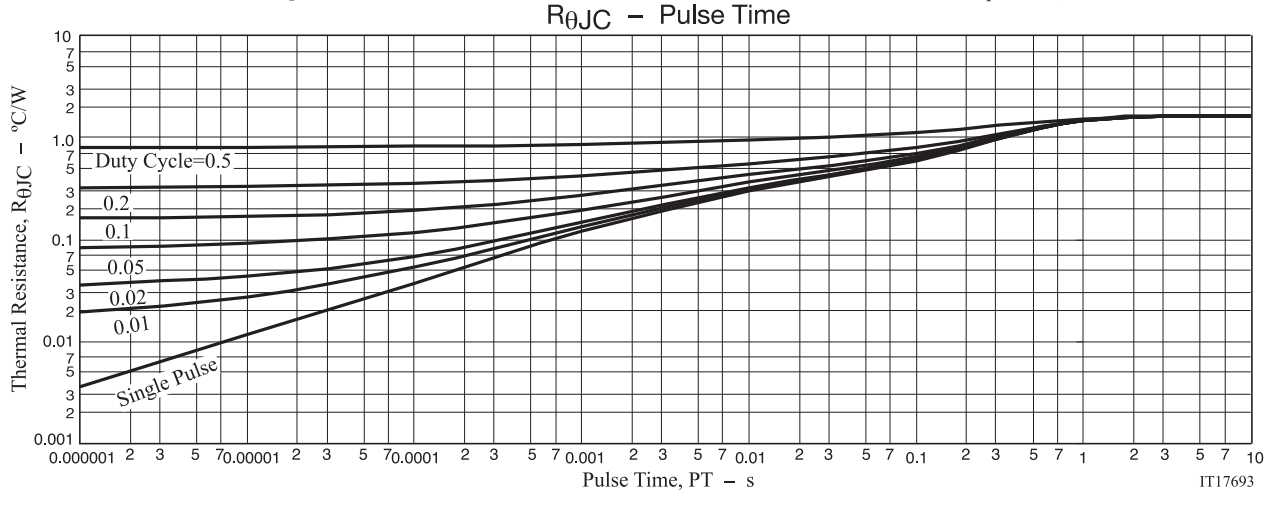
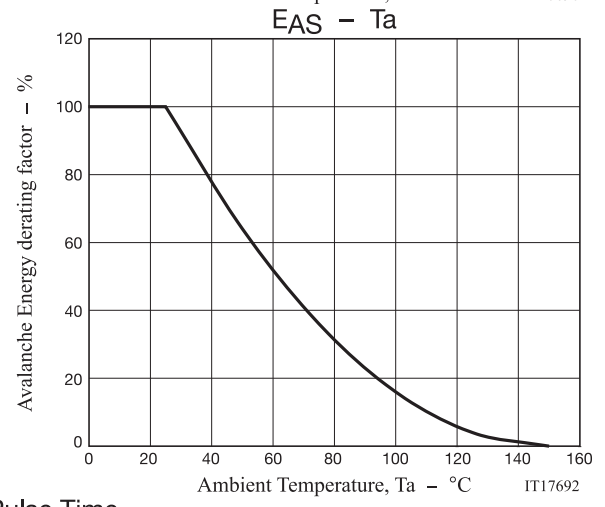
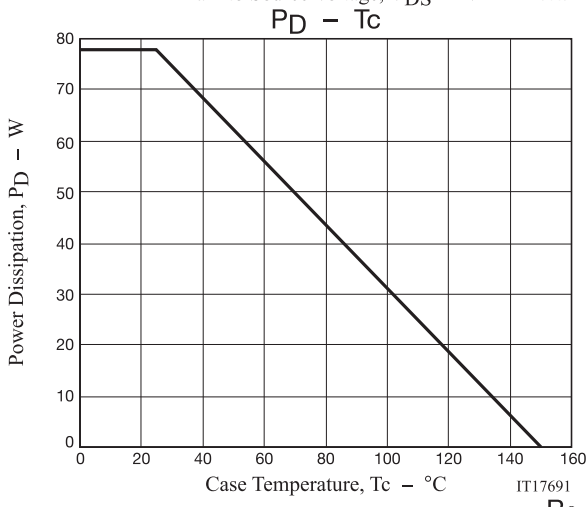
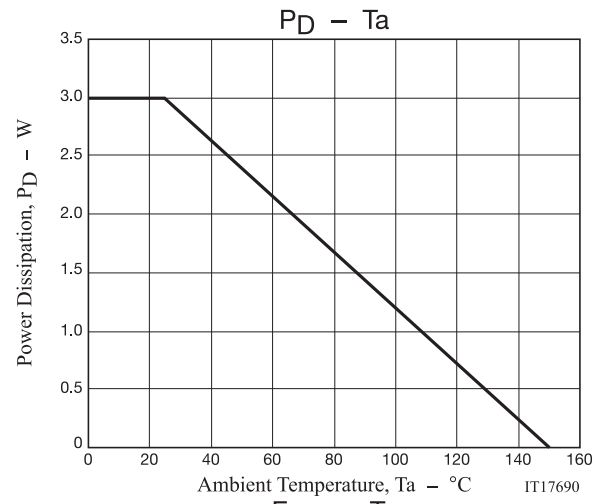
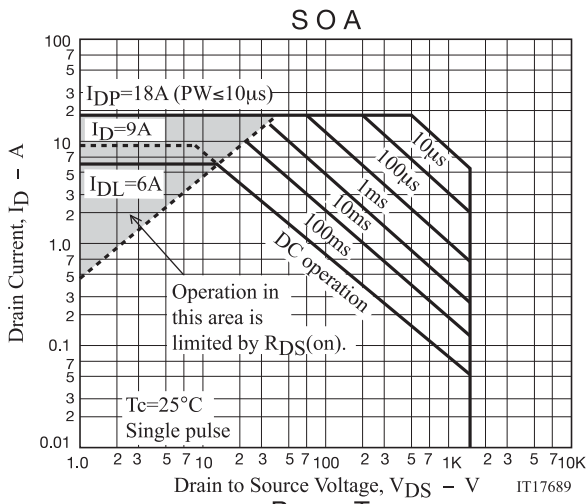
**Fig.3 : Reverse Recovery Time Test Circuit**



# NDUL09N150C



# NDUL09N150C



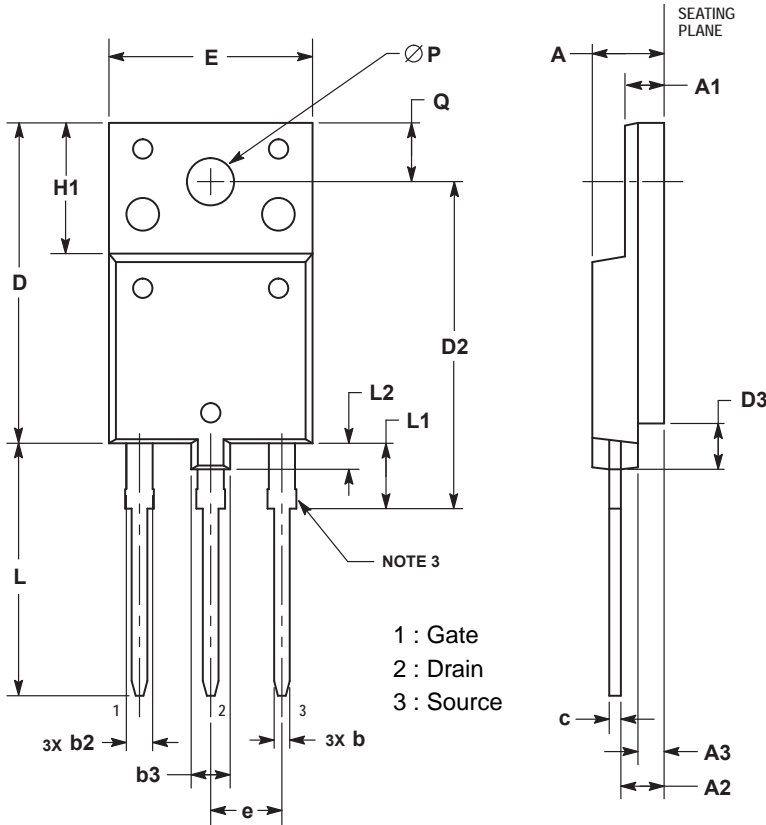
# NDUL09N150C

## Package Dimensions

NDUL09N150CG

unit : mm

**TO-3PF-3L**  
CASE 340AH  
ISSUE A



- NOTES:
1. DIMENSIONING AND TOLERANCING PER ASME Y14.5M, 2009.
  2. CONTROLLING DIMENSION: MILLIMETERS.
  3. CONTOUR UNCONTROLLED IN THIS AREA (6 PLACES).
  4. DIMENSIONS D AND E DO NOT INCLUDE MOLD FLASH OR GATE PROTRUSIONS. MOLD FLASH AND GATE PROTRUSIONS NOT TO EXCEED 0.13 PER SIDE. THESE DIMENSIONS ARE TO BE MEASURED AT THE OUTERMOST EXTREME OF THE PLASTIC BODY.
  5. DIMENSION b2 DOES NOT INCLUDE DAMBAR PROTRUSION. LEAD WIDTH INCLUDING PROTRUSION SHALL NOT EXCEED 2.20.

DIM	MILLIMETERS	
	MIN	MAX
A	5.30	5.70
A1	2.80	3.20
A2	3.10	3.50
A3	1.80	2.20
b	0.65	0.95
b2	1.90	2.15
b3	3.80	4.20
c	0.80	1.10
D	24.30	24.70
D2	24.70	25.30
D3	3.30	3.70
E	15.30	15.70
e	5.35	5.55
H1	9.80	10.20
L	19.10	19.50
L1	4.80	5.20
L2	1.90	2.20
P	3.40	3.80
Q	4.30	4.70

- 1 : Gate  
2 : Drain  
3 : Source

## ORDERING INFORMATION

Device	Package	Shipping	Note
NDUL09N150CG	TO-3PF-3L SC-94	30pcs. / Tube	Pb-Free

Note on usage : Since the NDUL09N150C is a MOSFET product, please avoid using this device in the vicinity of highly charged objects.

ON Semiconductor and the ON logo are registered trademarks of Semiconductor Components Industries, LLC (SCILLC) or its subsidiaries in the United States and/or other countries. SCILLC owns the rights to a number of patents, trademarks, copyrights, trade secrets, and other intellectual property. A listing of SCILLC's product/patent coverage may be accessed at [www.onsemi.com/site/pdf/Patent-Marking.pdf](http://www.onsemi.com/site/pdf/Patent-Marking.pdf). SCILLC reserves the right to make changes without further notice to any products herein. SCILLC makes no warranty, representation or guarantee regarding the suitability of its products for any particular purpose, nor does SCILLC assume any liability arising out of the application or use of any product or circuit, and specifically disclaims any and all liability, including without limitation special, consequential or incidental damages. "Typical" parameters which may be provided in SCILLC data sheets and/or specifications can and do vary in different applications and actual performance may vary over time. All operating parameters, including "Typicals" must be validated for each customer application by customer's technical experts. SCILLC does not convey any license under its patent rights nor the rights of others. SCILLC products are not designed, intended, or authorized for use as components in systems intended for surgical implant into the body, or other applications intended to support or sustain life, or for any other application in which the failure of the SCILLC product could create a situation where personal injury or death may occur. Should Buyer purchase or use SCILLC products for any such unintended or unauthorized application, Buyer shall indemnify and hold SCILLC and its officers, employees, subsidiaries, affiliates, and distributors harmless against all claims, costs, damages, and expenses, and reasonable attorney fees arising out of, directly or indirectly, any claim of personal injury or death associated with such unintended or unauthorized use, even if such claim alleges that SCILLC was negligent regarding the design or manufacture of the part. SCILLC is an Equal Opportunity/Affirmative Action Employer. This literature is subject to all applicable copyright laws and is not for resale in any manner.

# Mouser Electronics

Authorized Distributor

Click to View Pricing, Inventory, Delivery & Lifecycle Information:

[ON Semiconductor:](#)

[NDUL09N150CG](#)