

2.7V to 5.5V Input ,3A Integrated MOSFET Single Synchronous Buck DC/DC Converter

BD9B331GWZ

General Description

ROHM's high efficiency switching regulator, BD9B331GWZ, is a step-down converter designed to produce a low voltage output of 0.6V~3.3V from a 2.7V~5.5V power supply line. It offers high efficiency in all load ranges by automatic PFM/PWM adjustment. It employs an On time control system to provide faster transient response to sudden change in load.

Features

- Fast transient response with On time control system.
- High efficiency for all load range with synchronous rectifier (Nch/Nch FET) and adaptive PFM/PWM system.
- Adjustable Soft-start function.
- Thermal and UVLO protection.
- Short-circuit current protection with pulse count
- Shutdown function.

Applications

- Power supply for LSI including SoC, DSP, Micro computer and ASIC
- Laptop PC / Tablet PC / Server
 - LCD TV, Storage Devices (HDD / SSD)
 - Printer
 - Amusement
 - Secondary power supply

Key Specifications

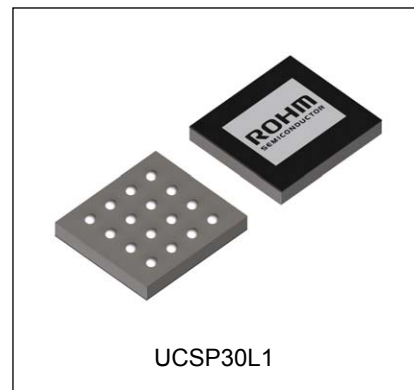
- Input Voltage Range: 2.7V to 5.5V
- Output Voltage Range: 0.6V to $PV_{CC} \times 0.8V$
- Output Current: 3.0A (Max)
- Switching Frequency: 1.3MHz(Typ)
- High Side FET ON Resistance: 23mΩ(Typ)
- Low Side FET ON Resistance: 23mΩ(Typ)
- Standby Current: 0μA (Typ)
- Operating Temperature Range: -40°C to +85°C

Package(s)

UCSP30L1:

W(Typ) x D(Typ) x H(Max)

1.98mm x 1.80mm x 0.33mm



Typical Application Circuit(s)

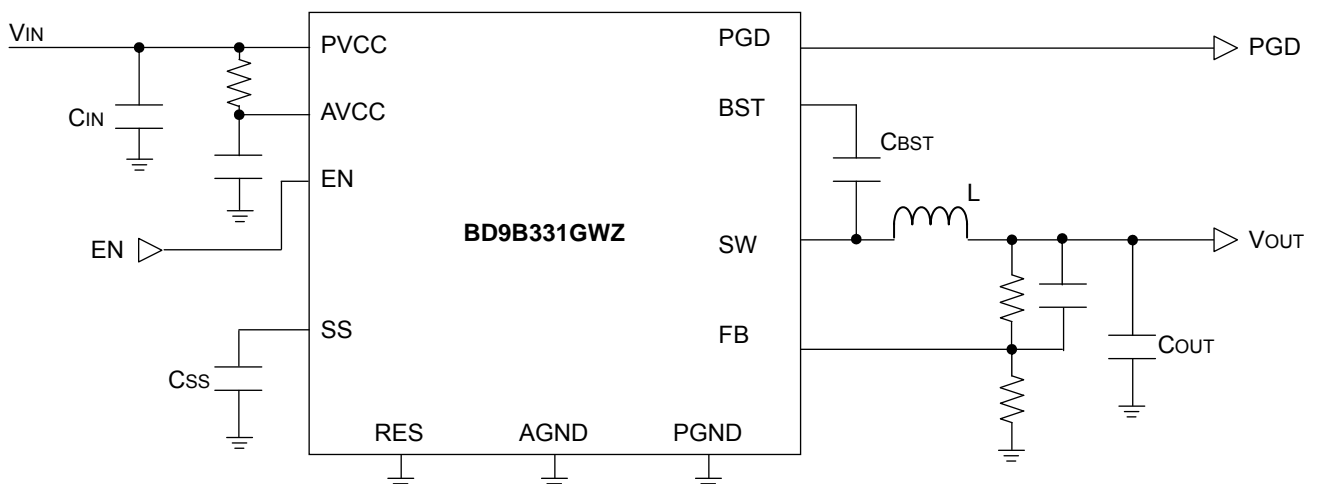


Figure 1. Typical Application Circuit

Pin Configuration (BOTTOM VIEW)

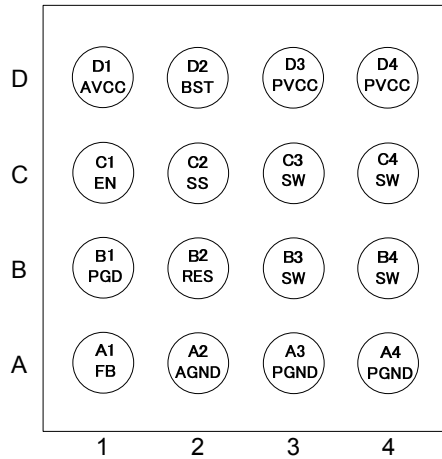


Figure 2. Pin Configuration

Pin Description(s)

| Pin No | Symbol | Function | Pin No | Symbol | Function |
|--------|--------|-------------------------------------|--------|--------|-------------------------------------|
| A1 | FB | Output feedback pin | C1 | EN | Enable pin (High active) |
| A2 | AGND | Ground pin | C2 | SS | Soft start capacitor connection pin |
| A3 | PGND | Power ground pin | C3 | SW | Switch pin |
| A4 | PGND | Power ground pin | C4 | SW | Switch pin |
| B1 | PGD | Power good open drain pin | D1 | AVCC | Power supply input pin |
| B2 | RES | Reserved pin (Connect to Ground) | D2 | BST | Bootstrap pin |
| B3 | SW | Switch pin | D3 | PVCC | Power supply input pin |
| B4 | SW | Switch pin | D4 | PVCC | Power supply input pin |

Block Diagram(s)

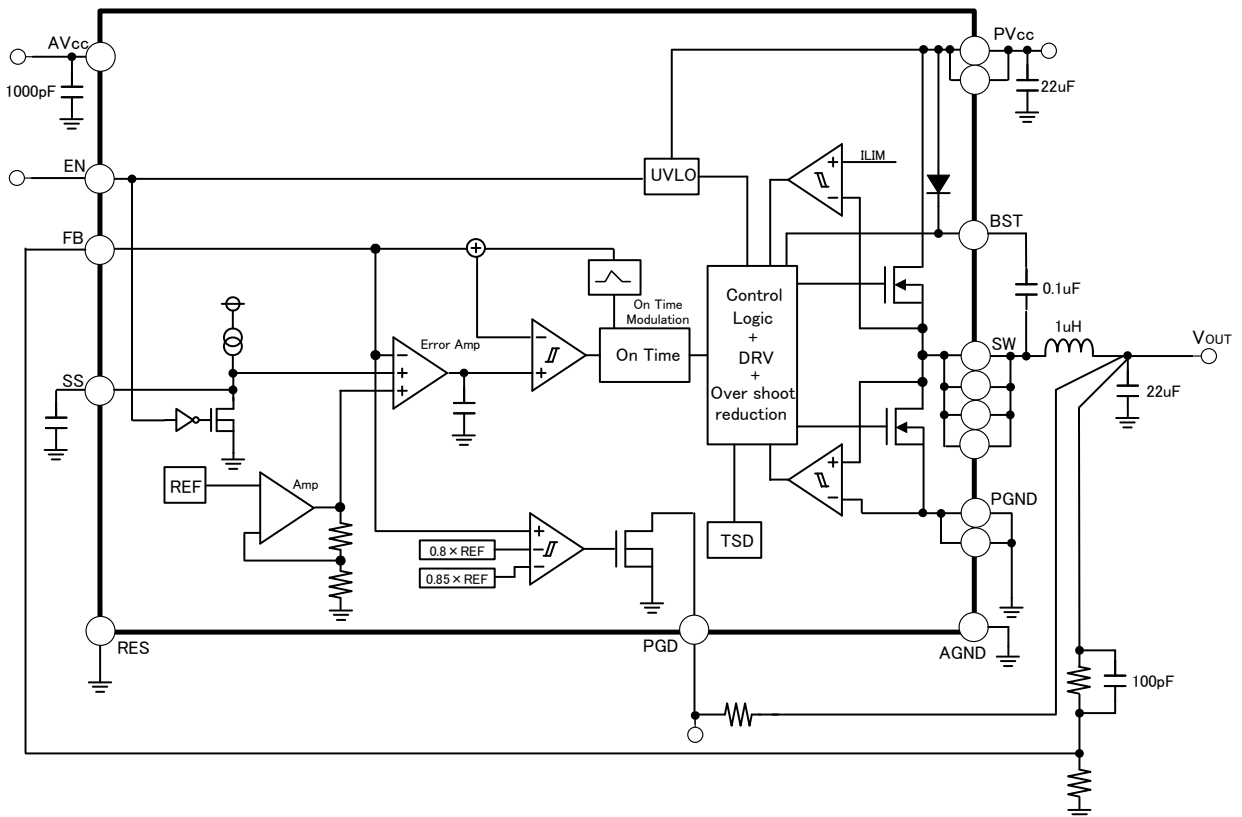


Figure 3. Block Diagram

Absolute Maximum Ratings (Ta = 25°C)

| Parameter | Symbol | Rating | Unit |
|------------------------------|---------------|--------------------------------|------|
| AVCC / PVCC Voltage | AVCC / PVCC | -0.3 to +7 ^(Note 1) | V |
| EN Voltage | VEN | -0.3 to +7 ^(Note 1) | V |
| BST Voltage | VBST | -0.3 to +13 | V |
| BST_SW Voltage | VBST-SW | -0.3 to +7 | V |
| SW Voltage | Vsw | -0.3 to PVCC+0.3 | V |
| SS/FB/PGD/ Voltage | VSS/ VFB VPGD | -0.3 to +7 | V |
| Power Dissipation | Pd | 0.81 ^(Note 2) | W |
| Operating temperature range | Topr | -40 to +85 | °C |
| Storage temperature range | Tstg | -55 to +150 | °C |
| Maximum junction temperature | Tjmax | +150 | °C |

(Note 1) Pd, and Tj=150°C should not be exceeded.

(Note 2) Derate by 6.5mW/°C when operating above Ta=25°C.

When mounted on a board 63mm × 55mm × 1.6mm glass-epoxy board, 9 layer.(Refer to page.16)

Recommended Operating Ratings (Ta=-40 to 85°C)

| Parameter | Symbol | Rating | | | Unit |
|---------------------------|--------|--------|------|-----------------------|------|
| | | Min. | Typ. | Max. | |
| Power Supply Voltage | AVCC | 2.7 | 5.0 | 5.5 | V |
| | PVCC | 2.7 | 5.0 | 5.5 | V |
| EN Voltage | VEN | 0 | AVCC | 5.5 | V |
| Output voltage Range | VOUT | 0.6 | - | PVCC × 0.8 | V |
| SW average output current | ISW | - | - | 3 ^(Note 3) | A |

(Note 3) Pd, ASO should not be exceeded

Electrical Characteristics (Unless otherwise specified AVCC=PVCC=5V, EN=AVCC Ta=25°C)

| Parameter | Symbol | Limits | | | Unit | Conditions |
|-----------------------------------|----------------------|--------|-------|-------|------|--|
| | | Min. | Typ. | Max. | | |
| Supply | | | | | | |
| AVcc and PVcc voltage range | V _{IN} | 2.7 | - | 5.5 | V | |
| Standby current | I _{STB} | - | - | 3 | μA | EN=GND |
| Active current | I _{CC} | - | 150 | 200 | μA | |
| UVLO detection voltage | V _{UVLOTH} | 2.38 | 2.50 | 2.62 | V | AVcc falling |
| UVLO hysteresis | V _{UVLOHYS} | 40 | 50 | 60 | mV | |
| Enable | | | | | | |
| EN low voltage | V _{ENL} | GND | - | 0.5 | V | Standby mode |
| EN high voltage | V _{ENH} | 1.5 | - | AVcc | V | Active mode |
| EN input current | I _{EN} | - | 3 | 6 | μA | V _{EN} =5V |
| Power GOOD | | | | | | |
| PG threshold voltage | V _{PGTH} | -20% | -15% | -10% | V | V _{FB} -15% (Typ) |
| PG hysteresis voltage | V _{PGHYS} | -25% | -20% | -15% | V | V _{FB} -20% (Typ) |
| PG detect delay time | P _{DELAY} | 6 | 15 | 25 | μs | |
| Open drain output resistance | R _{PG} | 50 | 100 | 200 | Ω | V _{FB} < V _{PGTH} |
| PG leakage current | I _{PL} | - | - | 1 | μA | V _{PG} =5V |
| Power Switch | | | | | | |
| High side FET ON resistance | R _{ONH} | - | 23 | 50 | mΩ | PVCC=5V |
| Low side FET ON resistance | R _{ONL} | - | 23 | 50 | mΩ | PVCC=5V |
| On time | T _{ON} | - | 230 | - | ns | V _{IN} =3.3V, V _{OUT} =0.9V, PWM |
| Soft Start | | | | | | |
| Soft start time | T _{SS} | - | 1 | - | ms | |
| Soft start current | I _{SS} | 0.5 | 1.2 | 1.8 | μA | |
| Output | | | | | | |
| Output feedback threshold voltage | V _{FB} | 0.591 | 0.600 | 0.609 | V | |

Typical Performance Curves

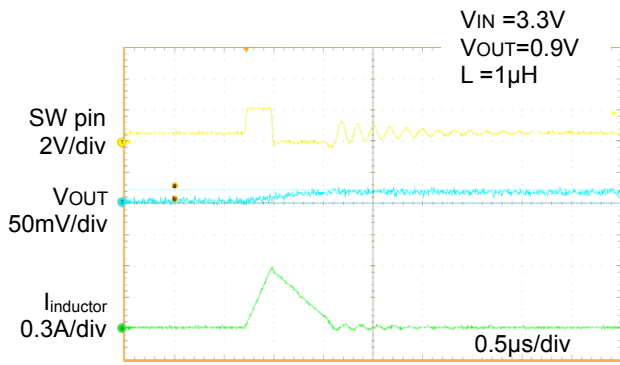


Figure 4. PFM operation, load 0mA

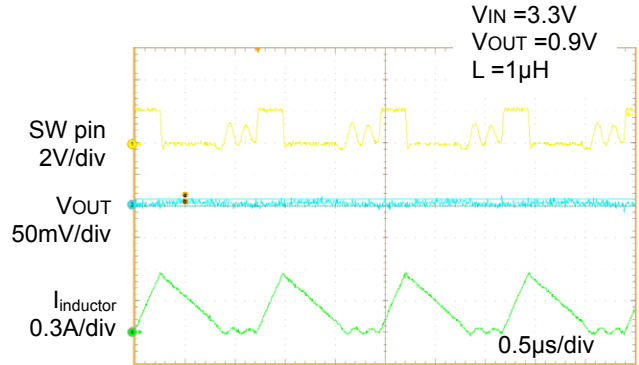


Figure 5. PFM operation, load 100mA

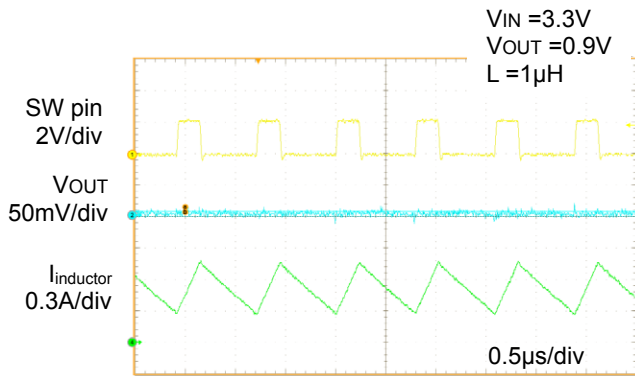


Figure 6. PWM operation, load 500mA

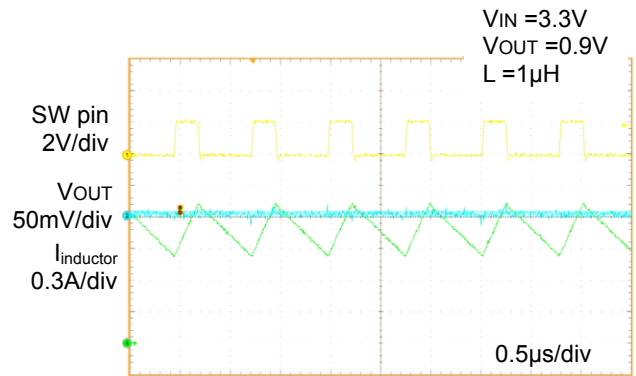


Figure 7. PWM operation, load 1000mA

Typical Performance Curves - continued

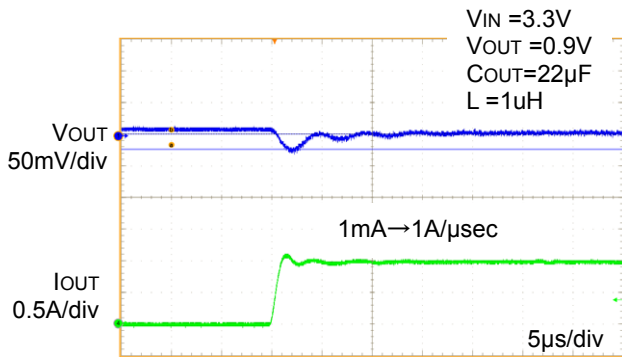


Figure 8. Load rise response

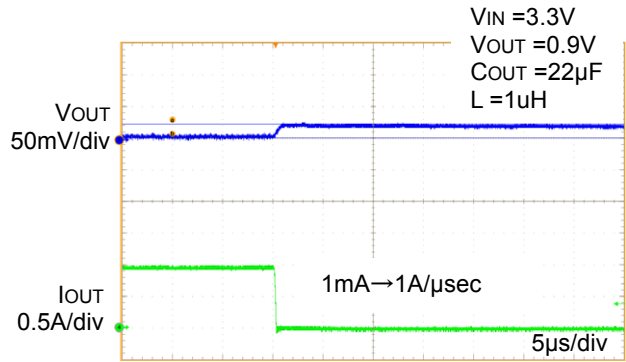


Figure 9. Load fall response

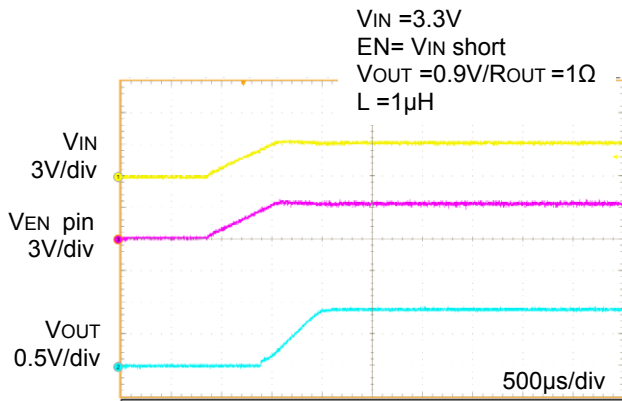


Figure 10. Start up (with V_{IN} UVLO)

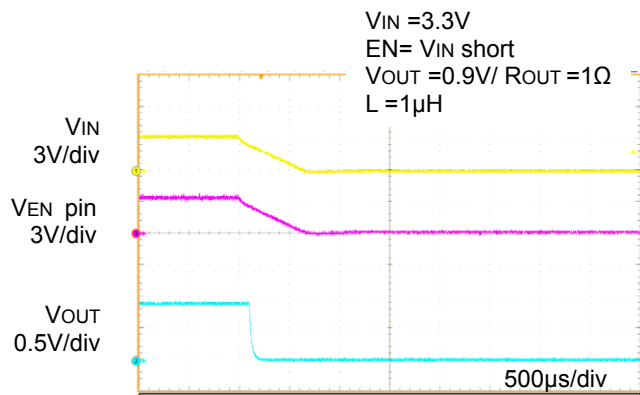


Figure 11. Shutdown (with V_{IN} UVLO)

Typical Performance Curves - continued

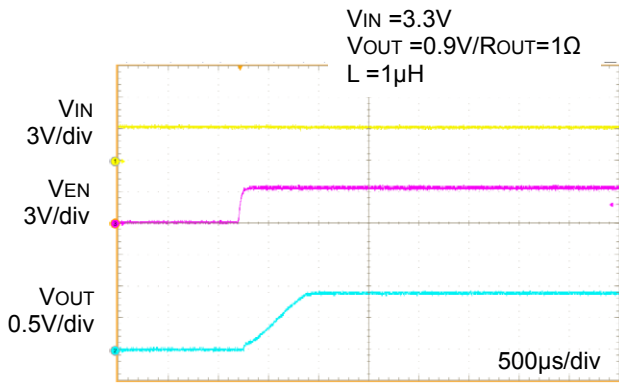


Figure 12. Start up (with EN)

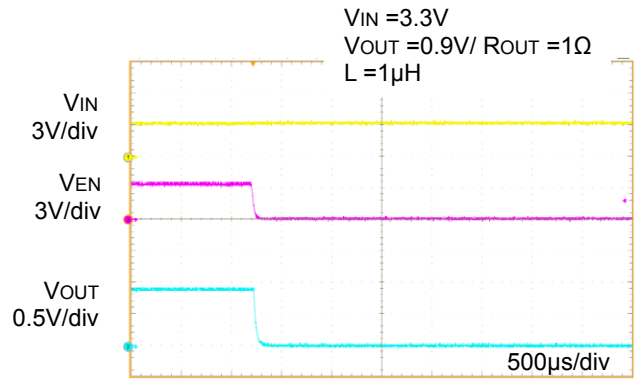


Figure 13. Shutdown (with EN)

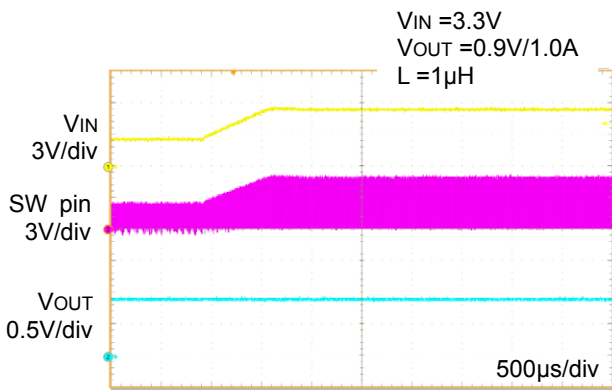


Figure 14. V_{IN} variation 2.9V→5.5V

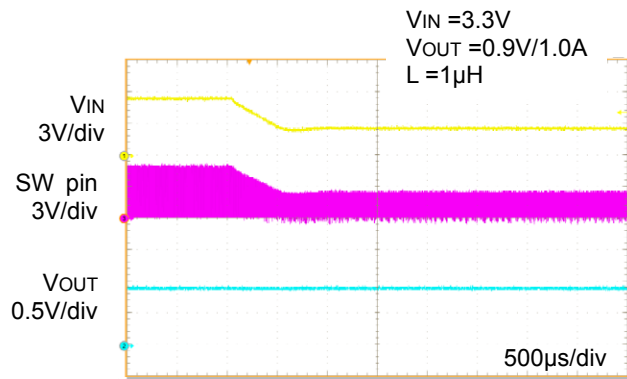


Figure 15. V_{IN} variation 5.5V→2.9V

Typical Performance Curves - continued

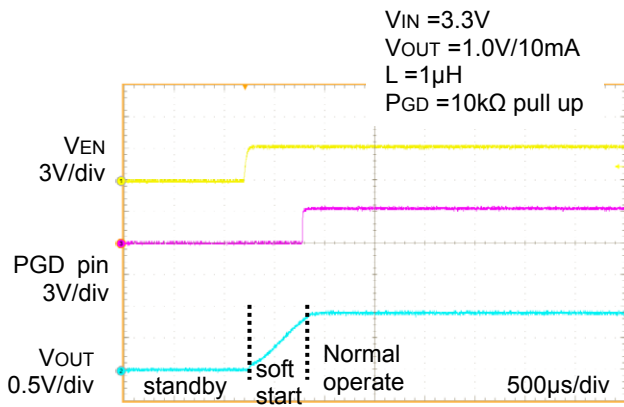


Figure 16. Power Good (Start up)

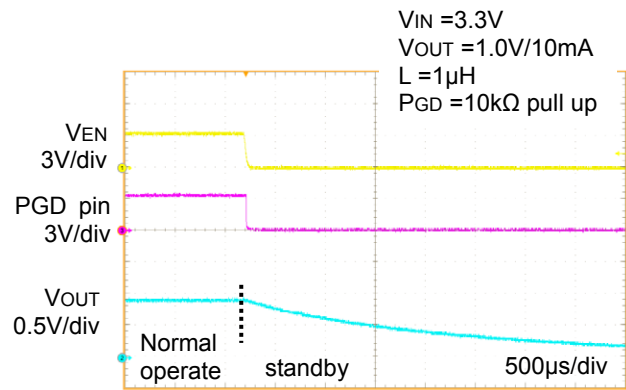


Figure 17. Power Good (Shutdown)

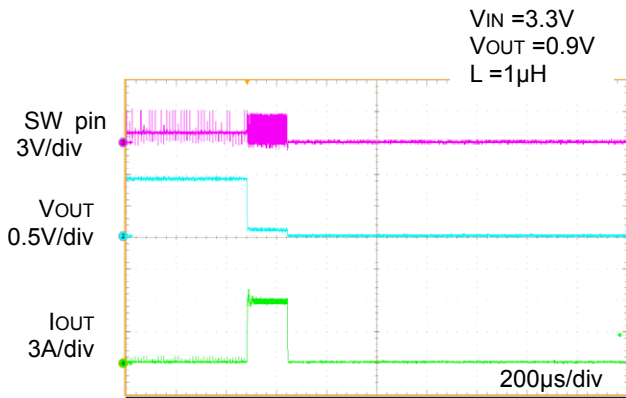


Figure 18. Output ground fault

Typical Performance Curves - continued

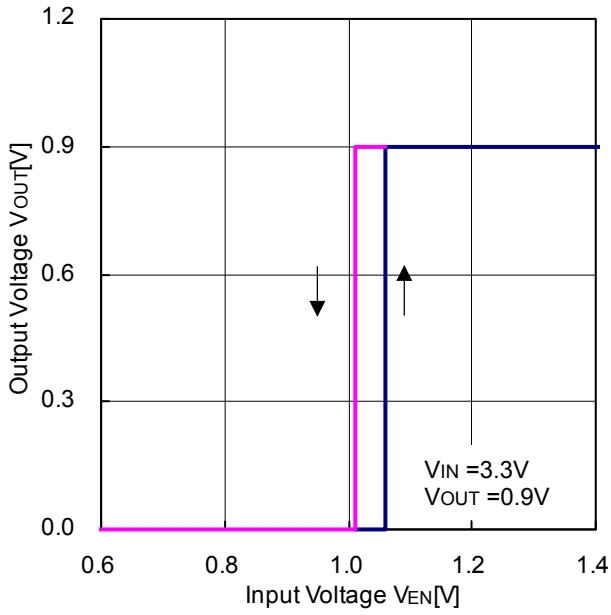


Figure 19. V_{EN} start up

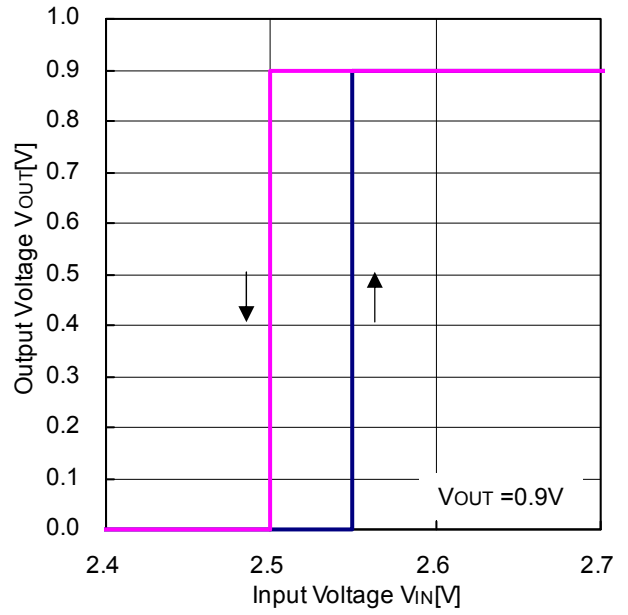


Figure 20. V_{IN} start up

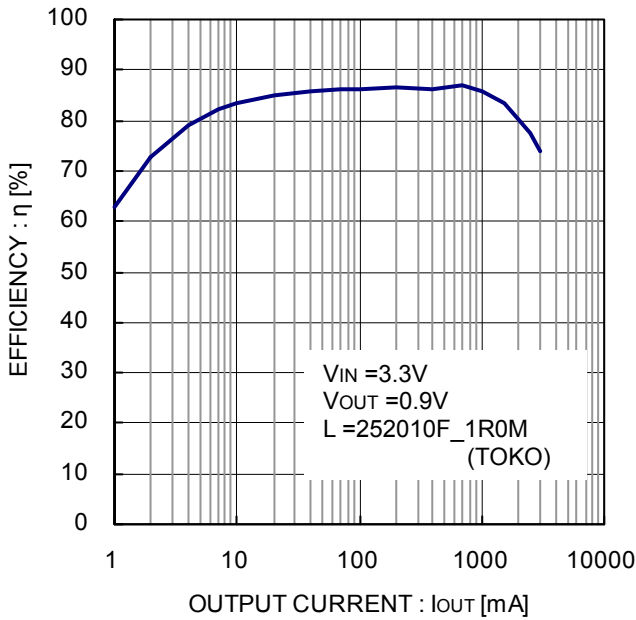


Figure 21. Efficiency

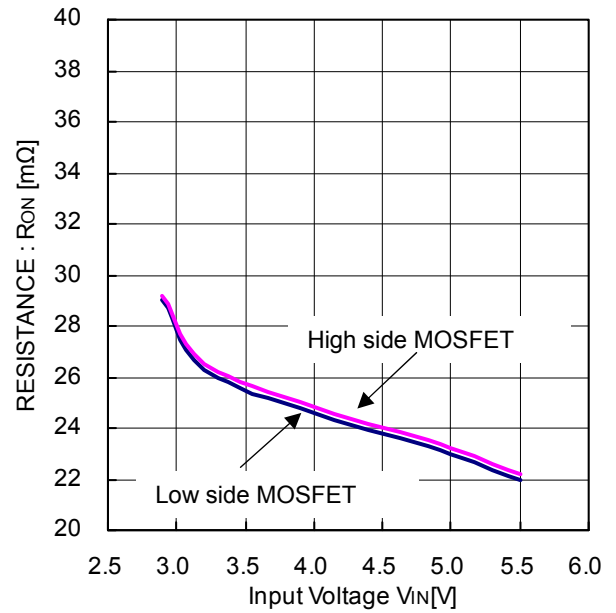


Figure 22. Power MOS On resistor

Typical Performance Curves - continued

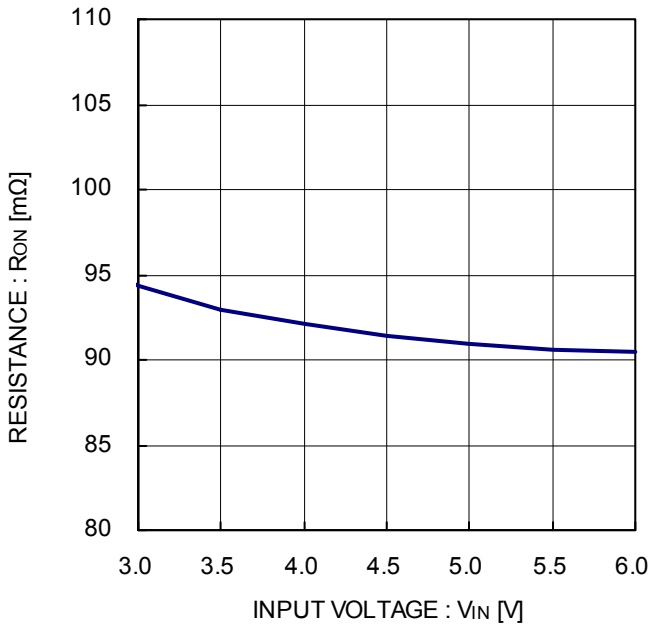


Figure 23. Power Good MOS On resistor

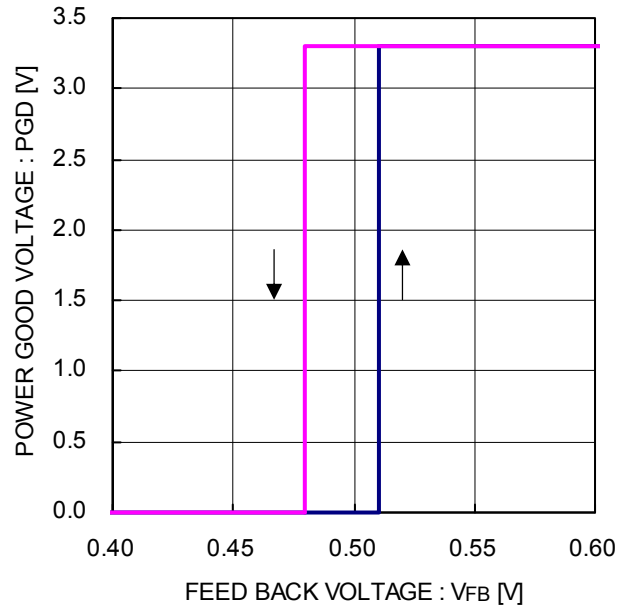


Figure 24. Power Good voltage/hysteresis

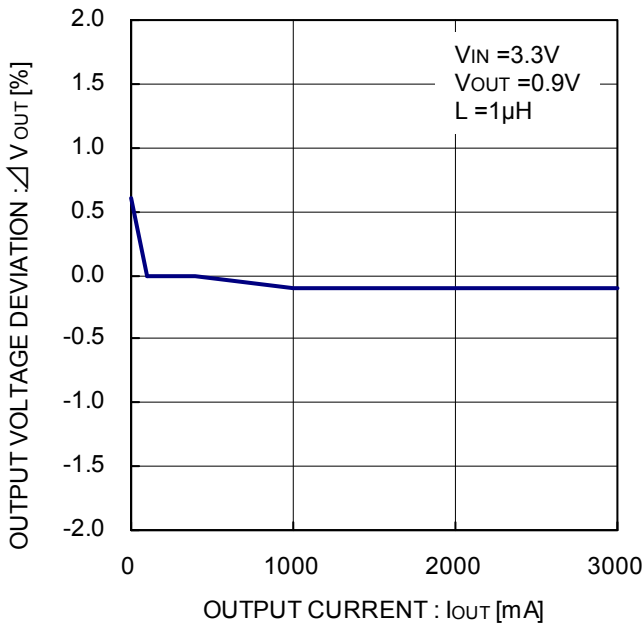


Figure 25. Output variation (Load regulation)

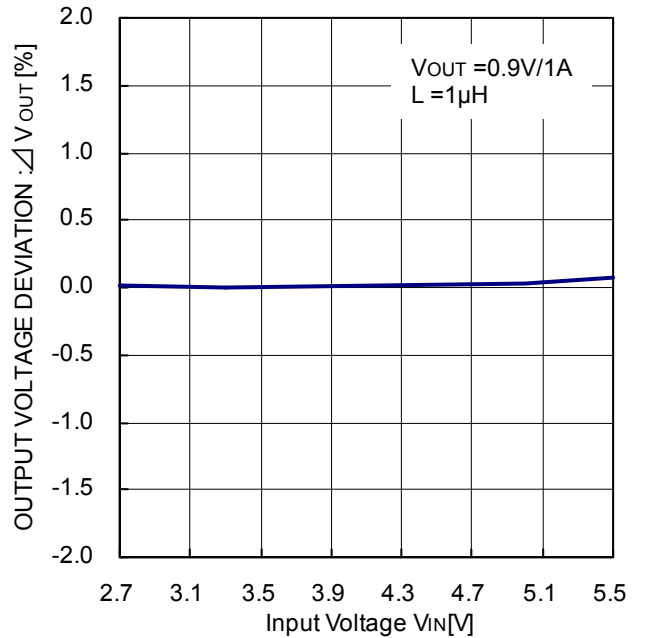


Figure 26. Output variation (Line regulation)

Typical Performance Curves - continued

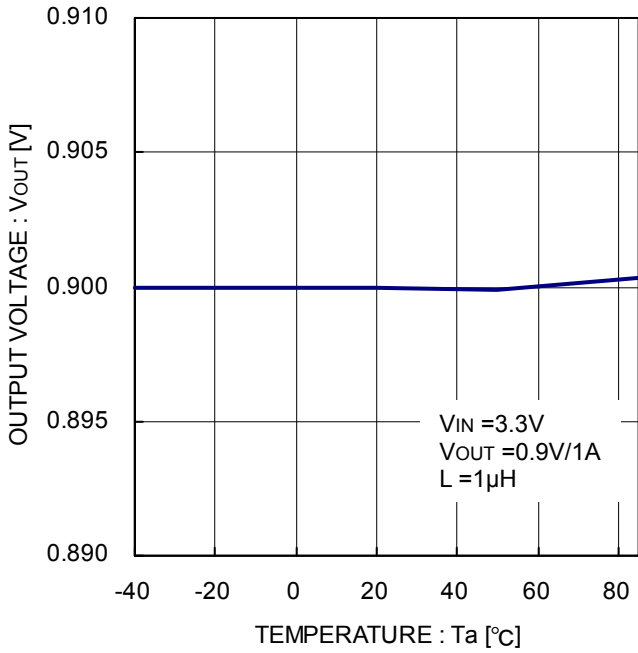


Figure 27. Output variation (ambient temperature)

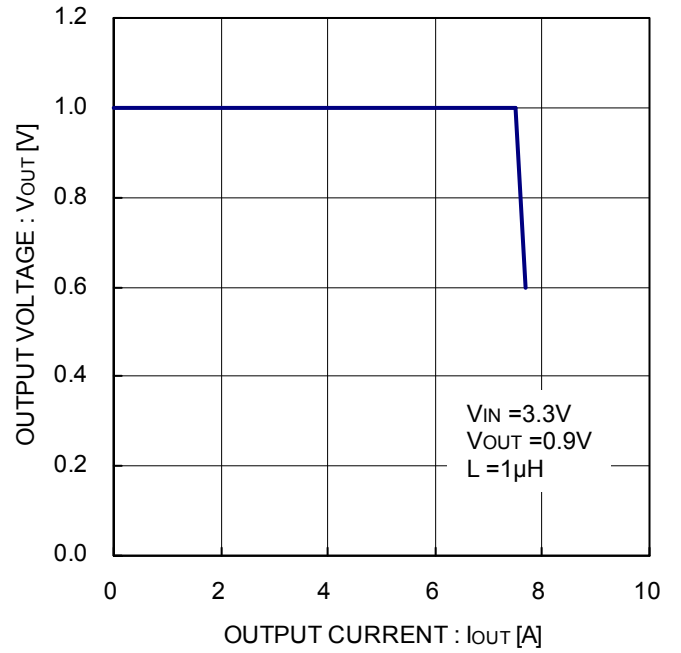


Figure 28. OCP detection current

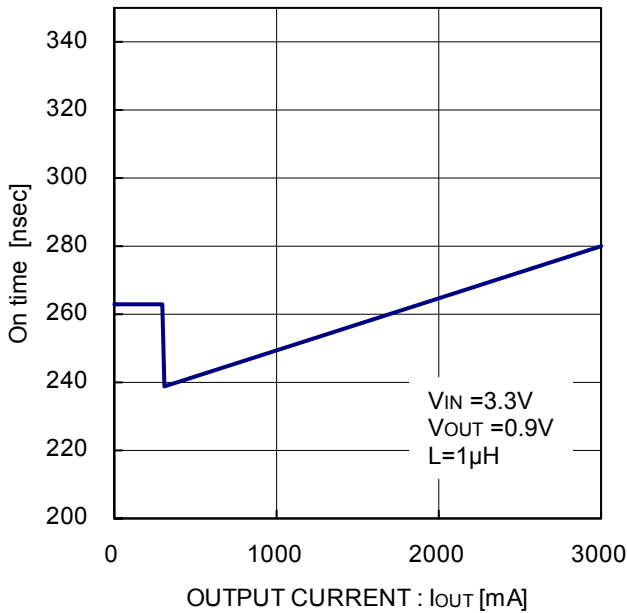


Figure 29. On time v.s. OUTPUT CURRENT

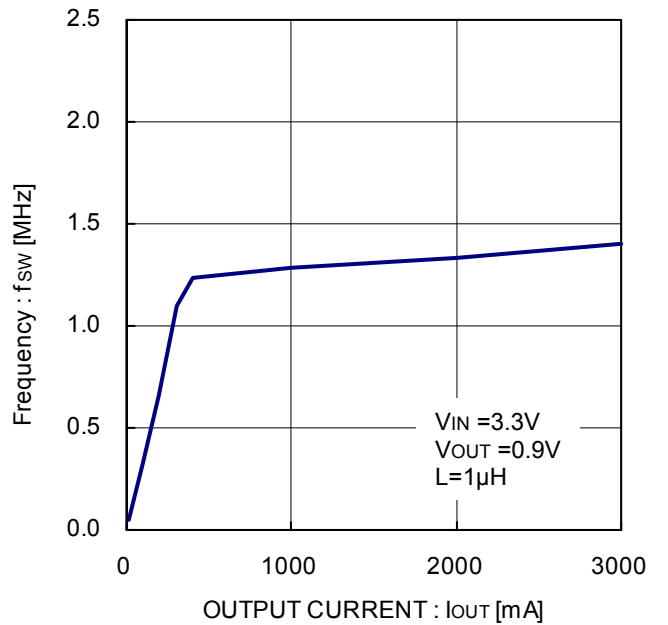


Figure 30. Frequency v.s. OUTPUT CURRENT

Application Information

Operation

BD9B331GWZ is a buck synchronous rectification switching regulator capable of high speed transient response by implementing a constant On Time system as its hysteresis control. General hysteresis control systems need a certain ripple to give an output voltage. Furthermore, a high ESR output capacitor is needed to maintain appropriate switching control.

BD9B331GWZ has a ripple implanted system at output detection which keeps a normal switching operation even if a low ESR output capacitor is used. This feature also resolved a weakness of a regular hysteresis control, which is, to keep a steady frequency from a variation of frequencies.

When operating with light loads, BD9B331GWZ reduce switching loss and attain high efficiency by utilizing a pulse skip system.

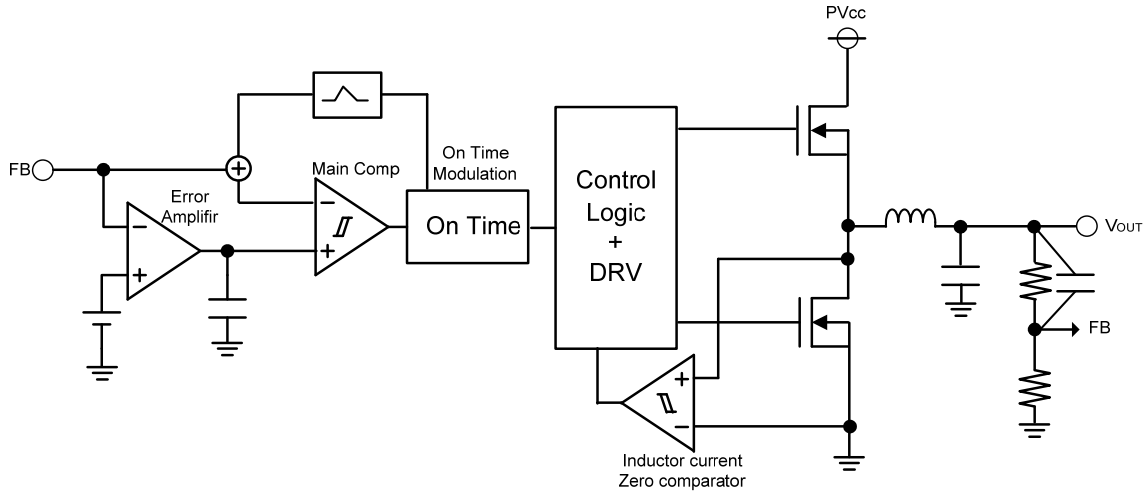


Figure 31. Constant on time system block diagram

Description of Operations

• Soft Start Function

When EN terminal is shifted to "High", it activates a soft-start function which gradually raises the output voltage while limiting the current at startup. This prevents an overshoot in output voltage by preventing startup in-rush current.

$$T_{SS} = \frac{(C_{SS} \times V_{FB})}{I_{SS}} [\text{sec}]$$

where :

T_{SS} is Soft - start time

C_{SS} is Capacitor connected to Soft - start pin

V_{FB} is FB Voltage 0.6V (Typ)

I_{SS} is Source current at Soft - start pin 1.2 μA (Typ)

Ex) When $C_{SS} = 0.01 \mu\text{F}$

$$\begin{aligned} T_{SS} &= (0.01[\mu\text{A}] \times 0.6 [\text{V}]) / 1.2 [\mu\text{A}] \\ &= 5.0 [\text{msec}] \end{aligned}$$

If EN terminal is shifted to "High" when capacitor C_{SS} is not connected, SS pin is OPEN or in "High" condition, the output voltage will rise in 1msec(Typ).

• Shutdown Function

With EN terminal shifted to "Low", the device turns to Standby Mode. All functional blocks including reference voltage circuit, internal oscillator and drivers are turned OFF. Circuit current during standby is 0 μA (Typ).

• UVLO Function

UVLO detects whether the input voltage is sufficient to secure a desired IC output voltage. A hysteresis width of 50mV (Typ) is provided to prevent output chattering.

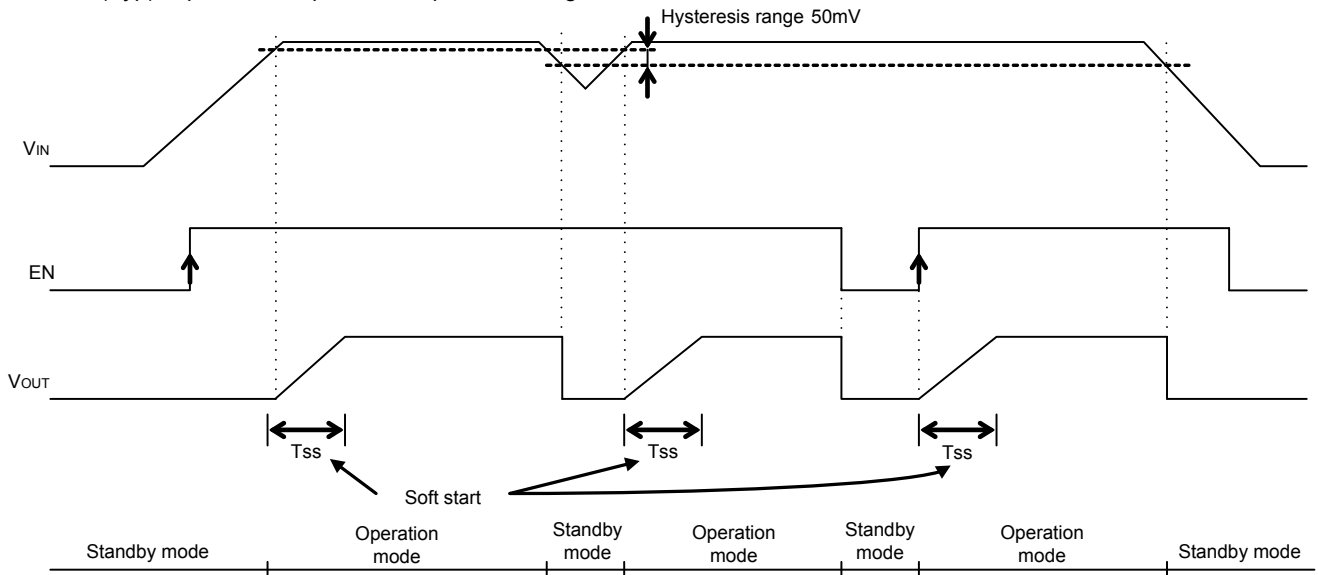


Figure 32. Soft Start, Shutdown, UVLO timing chart

• Power-good function

When FB terminal voltage falls below 80%(0.48V) of the internal reference voltage, an open drain MOS which is internally connected to PGD terminal turns ON. This event pulls down the PGD terminal with a 100Ω(Typ) impedance. When FB terminal voltage reaches 85%(0.51V) of the internal reference voltage, PGD terminal will enter a high impedance state after 15μsec delay. This terminal is an open drain output so a pull up resistor is needed for proper operation.

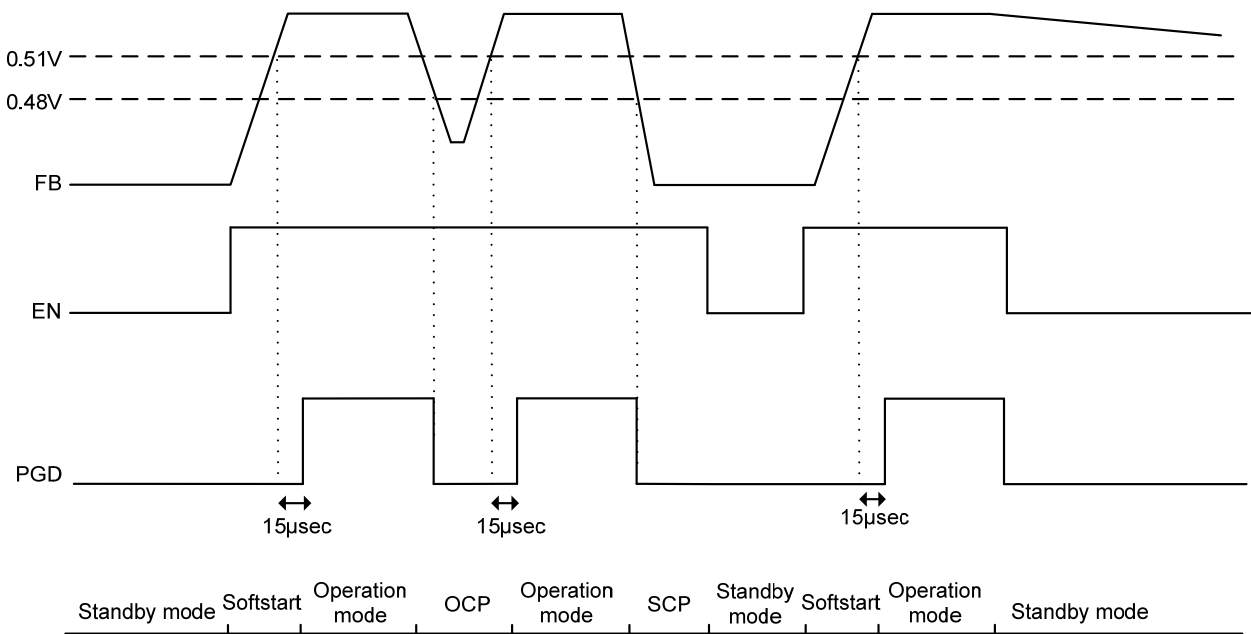


Figure 33. Power-good timing chart

• Over Current Protection Function(OCP) / Pulse Count Short-Circuit Protection (SCP)

Over current detection circuit is operating when the high side MOS is ON. When over current is detected, On/Off duty will be controlled to decrease the output voltage. If over current is still present 512 counts after output voltage falls below 80% of the set voltage (Power Good error), the output will be latched in OFF state to prevent IC damage. Output is returned by resetting EN or releasing UVLO again.

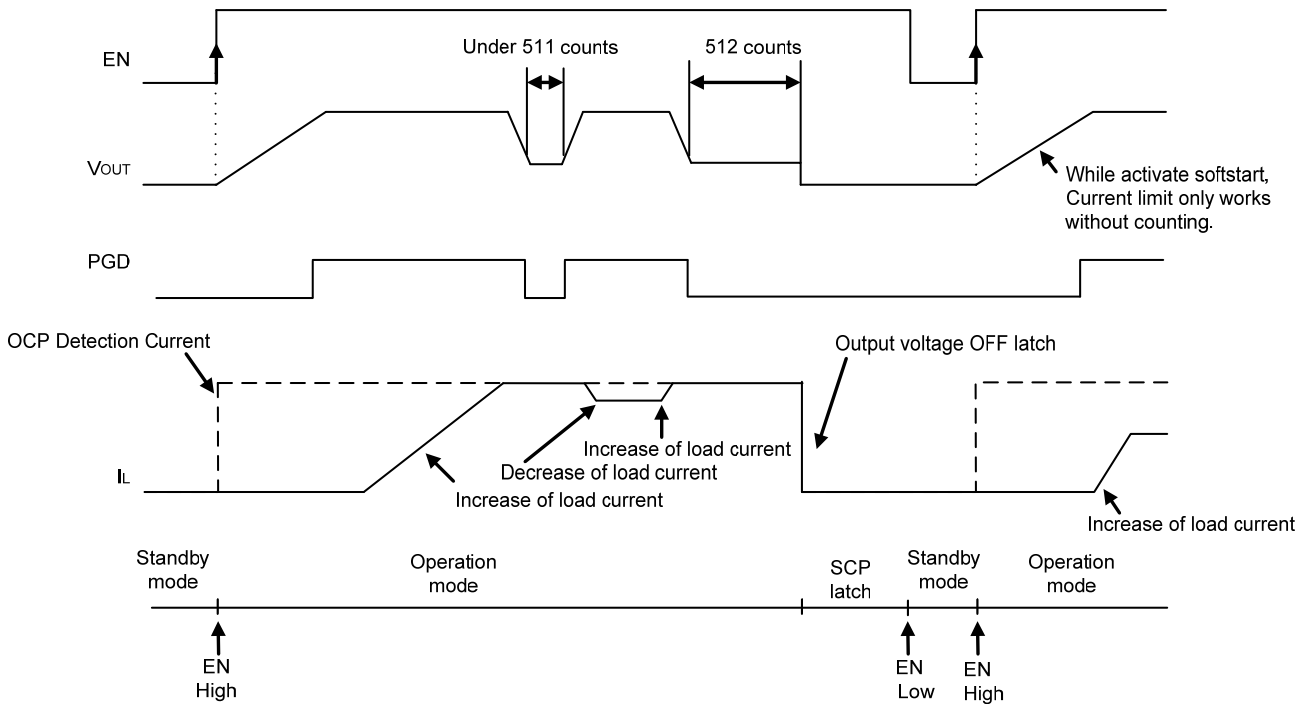


Figure 34. Over current protection/short-circuit protection function timing chart

• Over Short Reduction(load responsiveness characteristic improvement function)

Output voltage rises when load current is decreased rapidly. Normally, Low side power MOS is kept on turning ON and the gradient of coil current ΔI_L will be $\Delta I_L = -V_{OUT}/L$. At this point, if slew rate, ΔI_{OUT} , of load current I_{OUT} will be $\Delta I_{OUT} > \Delta I_L$, excess current will be charged and output voltage will keep on rising (Fig.35 dotted line waveform). When the output voltage is set to a low value, ΔI_L will be small and output voltage will increase significantly. BD9B331GWZ operates over shoot reduction when the Low side power MOS is kept ON after twice the PWM pulse width. V_f voltage is generated to the SW terminal by turning off the HG-LG and applying I_L through the body diode of the Low side MOS. This makes $\Delta I_L = (-V_f - V_{OUT})/L$ and reduces the rise in output voltage by controlling excess current not to be charged to output capacitor.

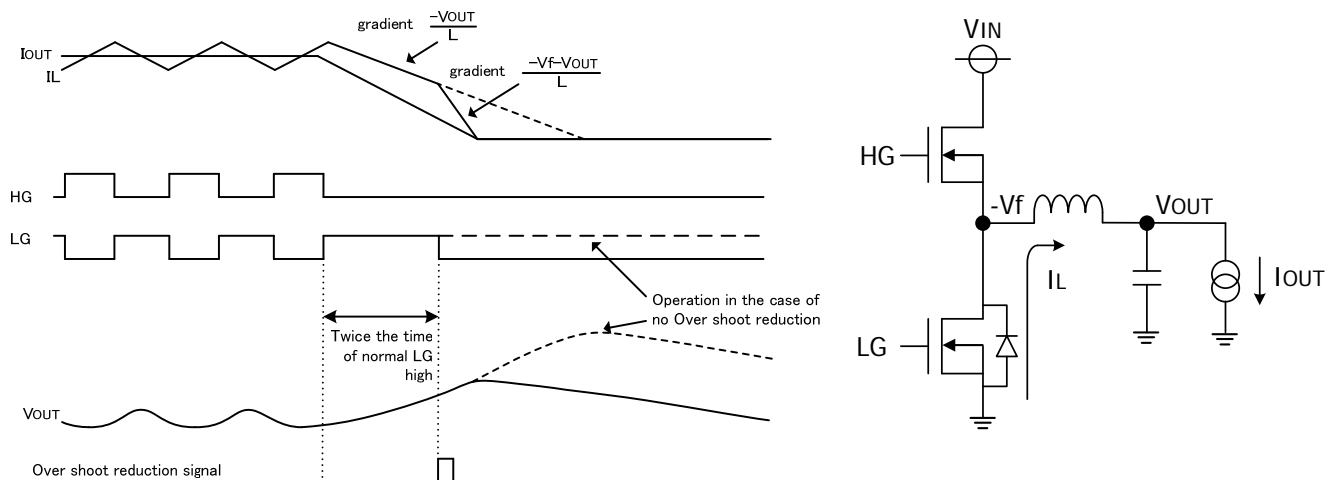


Figure 35. Over short reduction timing chart

Switching Regulator Efficiency

$$\eta = \frac{V_{OUT} \times I_{OUT}}{V_{IN} \times I_{IN}} \times 100 [\%] = \frac{P_{OUT}}{P_{IN}} \times 100 [\%] = \frac{P_{OUT}}{P_{OUT} + P_{D\alpha}} \times 100 [\%]$$

Efficiency may be improved by reducing the switching regulator power dissipation factors $P_{D\alpha}$ as follows:

Dissipation factors:

- 1) ON resistance dissipation of inductor and FET : $P_D (I^2R)$
- 2) Gate charge/discharge dissipation : $P_D (Gate)$
- 3) Switching dissipation : $P_D (SW)$
- 4) ESR dissipation of capacitor : $P_D (ESR)$
- 5) Operating current dissipation of IC : $P_D (IC)$

$$1) P_D(I^2R) = I_{OUT}^2 \times (R_{COIL} + R_{ON})$$

where :

R_{COIL} is DC resistance of inductor

R_{ON} is ON resistance of FET

I_{OUT} is Output current

$$2) P_D(Gate) = C_{qs} \times f \times V^2$$

where:

C_{qs} is Gate capacitance of FET

f is Switching frequency

V is Gate driving voltage of FET

$$3) P_D(SW) = \frac{V_{IN}^2 \times C_{RSS} \times I_{OUT} \times f}{I_{DRIVE}}$$

where:

C_{RSS} is Reverse transfer capacitance of FET

I_{DRIVE} is Peak current of gate

$$4) P_D(ESR) = I_{RMS}^2 \times ESR$$

where:

I_{RMS} is Ripple current of capacitor

ESR is Equivalent series resistance

$$5) P_D(IC) = V_{IN} \times I_{CC}$$

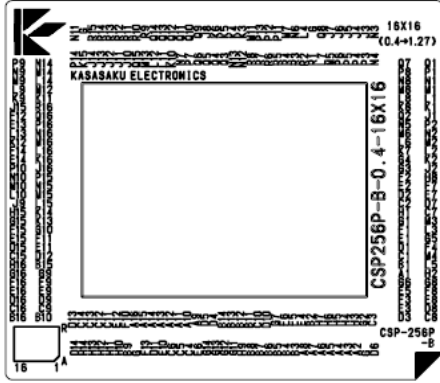
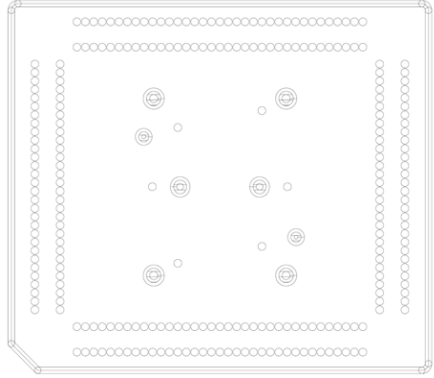
where:

I_{CC} is Circuit current

Power Dissipation (Pd)

As for power dissipation, an estimate of heat reduction characteristics and internal power consumption of IC are shown, so please use these for reference. Since power dissipation changes substantially depending on the implementation conditions (board size, board thickness, metal wiring rate, number of layers and through holes, etc.), it is recommended to measure Pd on a set board. Exceeding the power dissipation of IC may lead to deterioration of the original IC performance, such as reduction in current capability. Therefore, be sure to prepare sufficient margin within power dissipation for usage.

Measurement conditions

| | | |
|---------------------------------|---|--|
| Layout of Board for Measurement | Evaluation board | |
| |  <p>Top Layer (Top View)</p> |  <p>Bottom Layer (Bottom View)</p> |
| Measurement State | With board implemented (Wind speed 0 m/s) | |
| Board Material | Glass epoxy resin (9 layers) | |
| Board Size | 63 mm x 55 mm x 1.6 mm | |
| Wiring Rate | Top layer | Metal (GND) wiring rate: Approx. 81.6% |
| | Bottom layer | Metal (GND) wiring rate: Approx. 82.3% |
| Copper Foil Thickness | Outer layer L1,L9 : 27μm Inner layer L8 : 27μm,L2~L7 : 18μm | |
| Through Hole | Diameter 0.1mm x 256 holes Diameter 0.6mm x 266 holes | |
| Power Dissipation | 0.81W | |
| Thermal Resistance | θJA =153.8°C/W | |

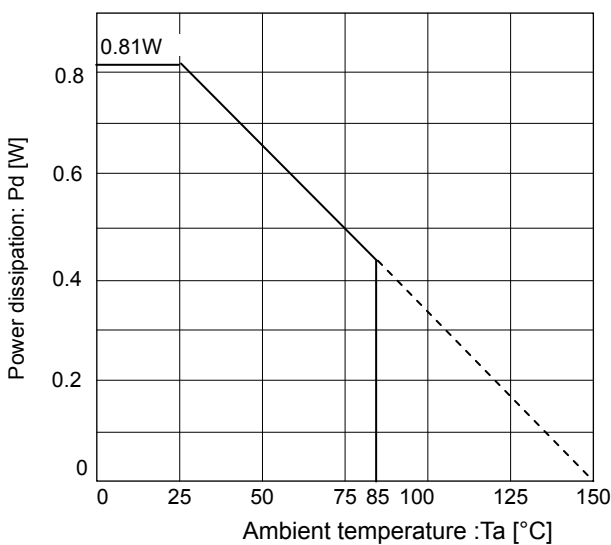


Figure 36. Power dissipation (BD9B331GWZ)

$$P = I_{OUT}^2 \times R_{ON}$$

$$R_{ON} = D \times R_{ONH} + (1 - D)R_{ONL}$$

Where :

- D is ON duty (= VOUT/VIN)
- R_{ONH} is ON resistance of High side MOS FET
- R_{ONL} is ON resistance of Low side MOS FET
- I_{OUT} is Output current

Ex) VIN = 5V, VOUT = 1V, RONH = 23mΩ, RONL = 23mΩ, IOUT = 3A

$$D = \frac{V_{OUT}}{V_{IN}} = \frac{1}{5} = 0.2$$

$$R_{ON} = 0.2 \times 0.023 + (1 - 0.2) \times 0.023$$

$$= 0.023 [\Omega]$$

$$P = 3^2 \times 0.023 = 0.207 [W]$$

Thermal design must be carried out with sufficient margin allowed with consideration on the dissipation above.

External Component Selection

1. Inductor (L)

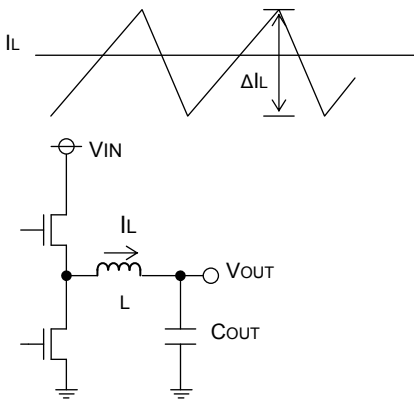


Figure 37. Output ripple current

The inductance has great influence on the output ripple current. As seen in the equation (1), the ripple current decreases as the inductor and/or switching frequency increases.

$$I_L = \frac{(V_{IN} - V_{OUT}) \times V_{OUT}}{L \times V_{IN} \times f} [A] \quad \dots \quad (1)$$

Where :

- f is Switching frequency
- I_L is Output ripple current

Efficiency is affected as the dissipation factor, $P_D(I^2R)$, $P_D(\text{Gate})$, $P_D(\text{SW})$, changes with respect to the coil value and PFM frequency dependence on ripple current.

BD9B331GWZ is designed to have least dissipation in PFM and PWM, both about $L = 0.47\mu\text{H}$ to $1\mu\text{H}$.

※Current flow that exceeds the coil rating brings the coil into magnetic saturation, which may lead to lower efficiency. Select an inductor with an adequate margin so that the peak current does not exceed the rated current of the coil. In addition, select a coil with a low resistance component (DCR, ACR) to lessen coil dissipation and improve efficiency.

2. Output Capacitor (COUT)

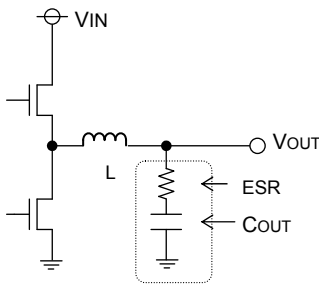


Figure 38. Output capacitor

Output capacitor should be selected with the consideration on the stability region and the equivalent series resistance required for smooth ripple voltage.

Output ripple voltage is determined by the equation (2) :

$$\Delta V_{OUT} = \Delta I_L \times ESR[V] \quad \dots \quad (2)$$

Where :

- ESR is Equivalent series resistance of COUT
- ΔI_L is output ripple current

※The capacitor rating must allow a sufficient margin with respect to the output voltage. A $22\mu\text{F}$ to $100\mu\text{F}$ ceramic capacitor is recommended. A capacitor with low ESR is recommended order to reduce output ripple.

Maximum value of COUT must be considered as a large current is needed to charge COUT to VOUT set point during boot-up. This current may trigger over current protection (OCP) and cause a normal boot-up failure.

$$C_{OUT} > \frac{T_{SS} \times I_{OCP}}{V_{OUT}} [F] \quad \dots \quad (3)$$

Where :

- T_{SS} is Soft start time (refer to Page12)
- I_{OCP} is Over current detection(min) about 6.5A

3. Input Capacitor (C_{IN})

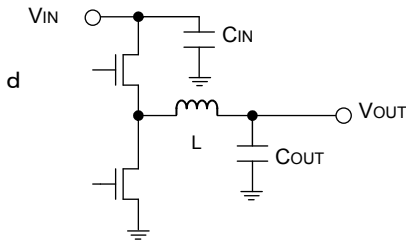


Figure 39. Input capacitor

Input capacitor must be a low ESR capacitor with a capacitance sufficient to cope with high ripple current to prevent high transient voltage. The ripple current I_{RMS} is given by the equation (4):

$$I_{RMS} = I_{OUT} \times \frac{\sqrt{V_{OUT} \times (V_{IN} - V_{OUT})}}{V_{IN}} \quad \text{[A]} \quad \dots \quad (4)$$

<Worst case> I_{RMS(max)}

$$V_{IN} = 2 \times V_{OUT}, I_{RMS} = \frac{I_{OUT}}{2}$$

Ex) BD9B331GWZ when V_{IN}=5.5V, V_{OUT}=2.75V, I_{OUTmax}=3A

$$I_{RMS} = 3 \times \frac{\sqrt{2.75 \times (5.5 - 2.75)}}{5.5} = 1.5 \quad \text{[A}_{RMS}]$$

4. Feedback Capacitor

Generally, in fixed ON time control (hysteresis control), sufficient ripple voltage in FB voltage is needed to operate comparator stably. This IC is designed to respond to low ESR output capacitor, such as ceramic capacitor, by injecting a ripple to the feedback voltage. In order to inject appropriate ripple, a feedback capacitor of 100pF to 200pF is recommended.

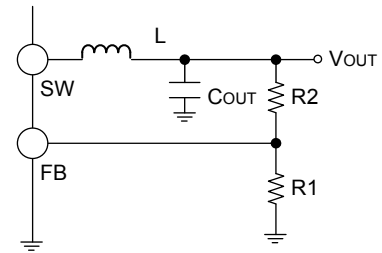
5. Output Voltage Determination

The output voltage V_{OUT} is determined by the equation (5):

$$V_{OUT} = \left(\frac{R_2}{R_1} + 1 \right) \times V_{FB} \quad \dots \quad (5)$$

Where :

V_{FB} is FB terminal voltage(0.6V Typ.)



With R₁ and R₂ adjusted, the output voltage may be determined as required.

Figure 40. Output voltage setting resistor

[Output voltage setting range is 0.6V to PV_{CC} × 0.8 V]

Use about 100kΩ resistor for R₁ and R₂ to consider loss at the PFM.

6. Bootstrap capacitor

Bootstrap capacitor C_{BOOT} shall be 0.1μF. Connect a bootstrap capacitor between SW pin and BOOT pin.

For capacitance of Bootstrap capacitor, take temperature characteristics, DC bias characteristics, etc. into consideration to set minimum value to no less than 0.047μF.

Recommended Part Circuit

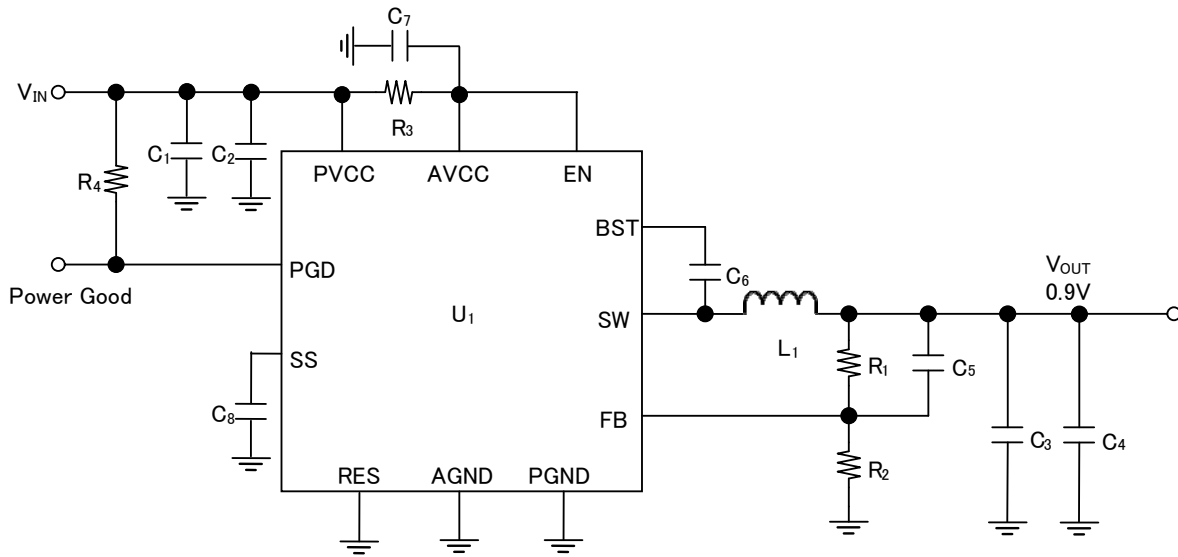


Figure 41. Recommended part circuit

- EN
Provide control signal externally when controlling the output via enable terminal.
- RES
Connect to ground.
- R4
Pull-up resistor for Power Good function.
Keep PGD open or connect it to ground when Power Good function is not in use.

● Recommendation parts list

| Part No | Value | Manufacturer | Part number | Size(mm) |
|---------|--------------------------------|--------------|-------------------|----------------|
| U1 | - | ROHM | BD9B331GWZ | 1.98*1.80*0.33 |
| L1 | 1.0 μ H | TOKO | DFE252010F-1R0M | 2520 |
| C1 | 22 μ F ^(Note 4) | MURATA | GRM219 Series 10V | 2012 |
| C2 | - | - | - | - |
| C3 | 22 μ F | MURATA | GRM188 Series 4V | 1608 |
| C4 | - | - | - | - |
| C5 | 100pF | MURATA | GRM033 Series | 0603 |
| C6 | 0.1 μ F | MURATA | GRM033 Series | 0603 |
| C7 | 1000pF | ROHM | MCR006 Series | 0603 |
| C8 | - | - | - | - |
| R1 | 100k Ω | ROHM | MCR006 Series | 0603 |
| R2 | 200k Ω | ROHM | MCR006 Series | 0603 |
| R3 | 100 Ω | ROHM | MCR006 Series | 0603 |
| R4 | 100k Ω | ROHM | MCR006 Series | 0603 |

(Note 4) For capacitance of input capacitor, take temperature characteristics, DC bias characteristics, etc. into consideration to set minimum value to no less than 8 μ F.

※Evaluation using the actual machine must be done for above constant is only a value on our evaluation board.

PCB Layout Design

In the step-down DC/DC converter, a large pulse current flows into two loops. The first loop is the one into which the current flows when the High-Side FET is turned ON. The flow starts from the input capacitor C_{IN} , runs through the FET, inductor L and output capacitor C_{OUT} and back to GND of C_{IN} via GND of C_{OUT} . The second loop is the one into which the current flows when the Low-Side FET is turned on. The flow starts from the Low-Side FET, runs through the inductor L and output capacitor C_{OUT} and back to GND of the Low-Side FET via GND of C_{OUT} . Route these two loops as thick and as short as possible to allow noise to be reduced for improved efficiency. It is recommended to connect the input and output capacitors directly to the GND plane. The PCB layout has a great influence on the DC/DC converter in terms of all of the heat generation, noise and efficiency characteristics.

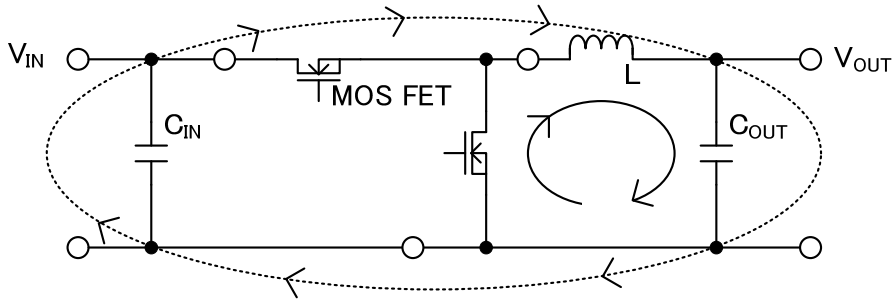


Figure 42. Current Loop of Buck Converter

Accordingly, design the PCB layout considering the following points.

- Connect an input capacitor as close as possible to the IC PVcc terminal on the same plane as the IC.
- If there is any unused area on the PCB, provide a copper foil plane for the GND node to assist heat dissipation from the IC and the surrounding components.
- Switching nodes such as SW are susceptible to noise due to AC coupling with other nodes. Route the coil pattern as thick and as short as possible.
- Provide lines connected to FB far from the SW nodes.
- Place the output capacitor away from the input capacitor in order to avoid the effect of harmonic noise from the input.

An example of PCB layout

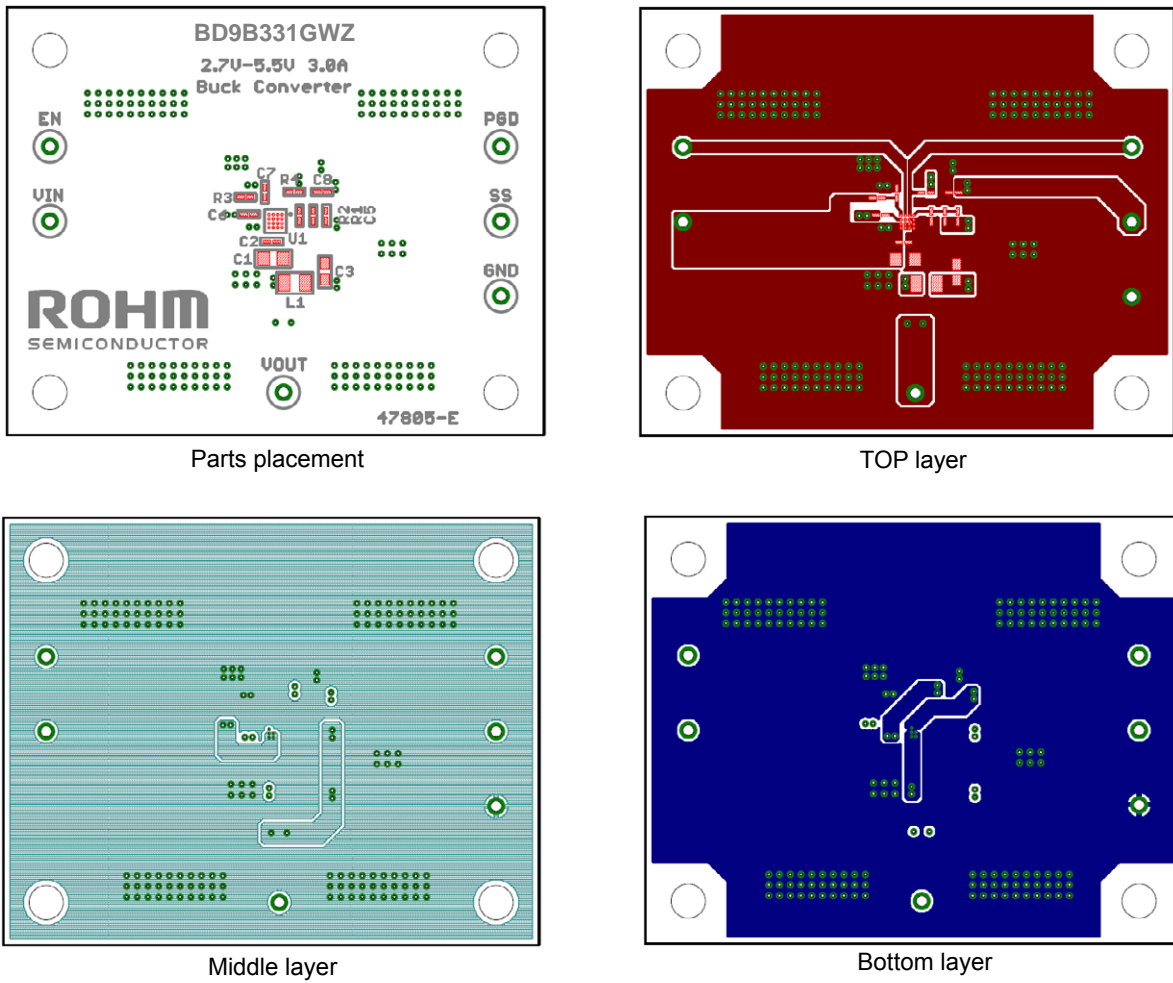


Figure 43. An example of PCB layout

I/O equivalent circuit(s)

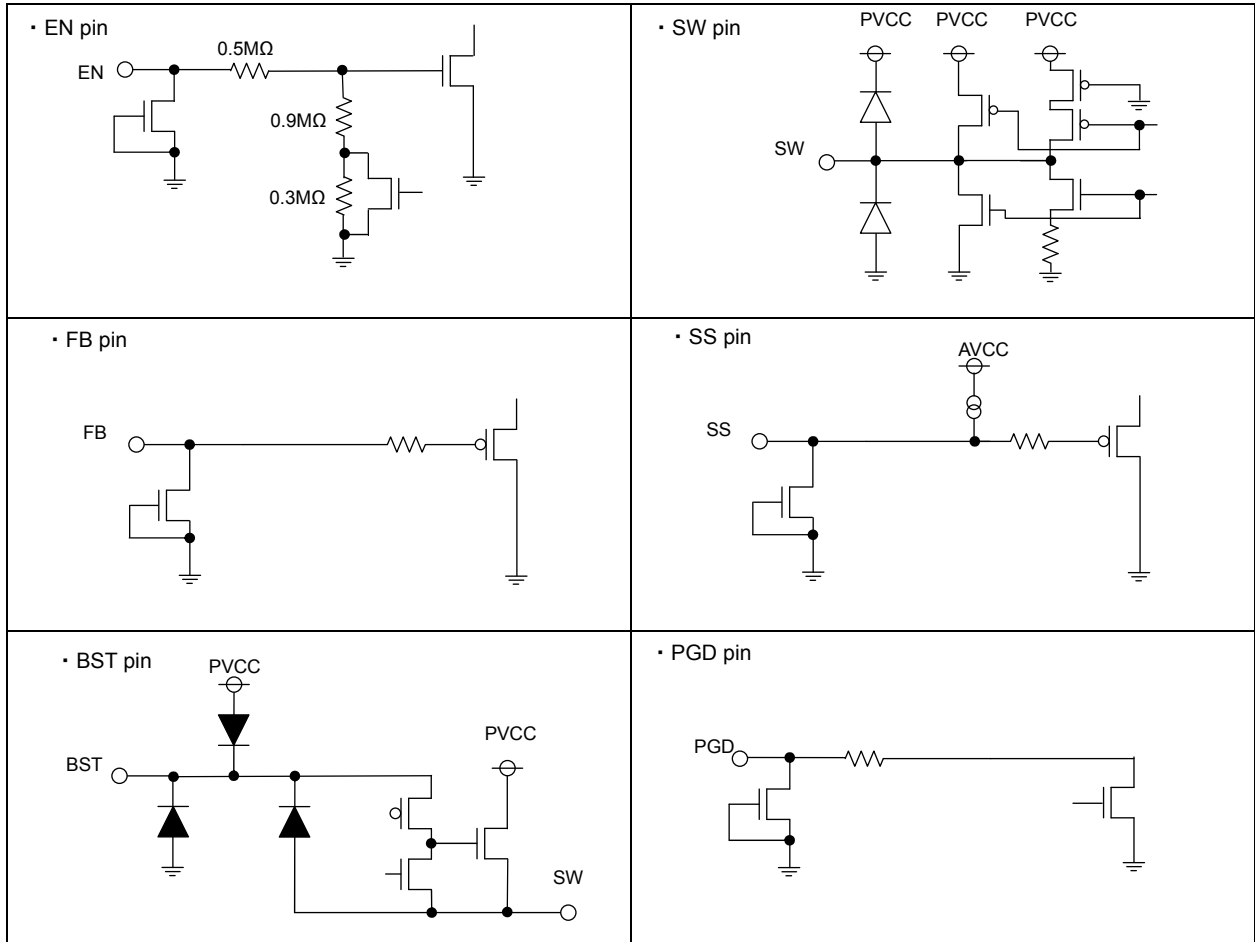


Figure 44. I/O equivalence circuit

Operational Notes

1. Reverse Connection of Power Supply

Connecting the power supply in reverse polarity can damage the IC. Take precautions against reverse polarity when connecting the power supply, such as mounting an external diode between the power supply and the IC's power supply pins.

2. Power Supply Lines

Design the PCB layout pattern to provide low impedance supply lines. Separate the ground and supply lines of the digital and analog blocks to prevent noise in the ground and supply lines of the digital block from affecting the analog block. Furthermore, connect a capacitor to ground at all power supply pins. Consider the effect of temperature and aging on the capacitance value when using electrolytic capacitors.

3. Ground Voltage

Ensure that no pins are at a voltage below that of the ground pin at any time, even during transient condition.

4. Ground Wiring Pattern

When using both small-signal and large-current ground traces, the two ground traces should be routed separately but connected to a single ground at the reference point of the application board to avoid fluctuations in the small-signal ground caused by large currents. Also ensure that the ground traces of external components do not cause variations on the ground voltage. The ground lines must be as short and thick as possible to reduce line impedance.

5. Thermal Consideration

Should by any chance the power dissipation rating be exceeded the rise in temperature of the chip may result in deterioration of the properties of the chip. In case of exceeding this absolute maximum rating, increase the board size and copper area to prevent exceeding the Pd rating.

6. Recommended Operating Conditions

These conditions represent a range within which the expected characteristics of the IC can be approximately obtained. The electrical characteristics are guaranteed under the conditions of each parameter.

7. Inrush Current

When power is first supplied to the IC, it is possible that the internal logic may be unstable and inrush current may flow instantaneously due to the internal powering sequence and delays, especially if the IC has more than one power supply. Therefore, give special consideration to power coupling capacitance, power wiring, width of ground wiring, and routing of connections.

8. Operation Under Strong Electromagnetic Field

Operating the IC in the presence of a strong electromagnetic field may cause the IC to malfunction.

9. Testing on Application Boards

When testing the IC on an application board, connecting a capacitor directly to a low-impedance output pin may subject the IC to stress. Always discharge capacitors completely after each process or step. The IC's power supply should always be turned off completely before connecting or removing it from the test setup during the inspection process. To prevent damage from static discharge, ground the IC during assembly and use similar precautions during transport and storage.

10. Inter-pin Short and Mounting Errors

Ensure that the direction and position are correct when mounting the IC on the PCB. Incorrect mounting may result in damaging the IC. Avoid nearby pins being shorted to each other especially to ground, power supply and output pin. Inter-pin shorts could be due to many reasons such as metal particles, water droplets (in very humid environment) and unintentional solder bridge deposited in between pins during assembly to name a few.

Operational Notes – continued

11. Unused Input Pins

Input pins of an IC are often connected to the gate of a MOS transistor. The gate has extremely high impedance and extremely low capacitance. If left unconnected, the electric field from the outside can easily charge it. The small charge acquired in this way is enough to produce a significant effect on the conduction through the transistor and cause unexpected operation of the IC. So unless otherwise specified, unused input pins should be connected to the power supply or ground line.

12. Regarding the Input Pin of the IC

This monolithic IC contains P+ isolation and P substrate layers between adjacent elements in order to keep them isolated. P-N junctions are formed at the intersection of the P layers with the N layers of other elements, creating a parasitic diode or transistor. For example (refer to figure below):

When $GND > Pin A$ and $GND > Pin B$, the P-N junction operates as a parasitic diode.
When $GND > Pin B$, the P-N junction operates as a parasitic transistor.

Parasitic diodes inevitably occur in the structure of the IC. The operation of parasitic diodes can result in mutual interference among circuits, operational faults, or physical damage. Therefore, conditions that cause these diodes to operate, such as applying a voltage lower than the GND voltage to an input pin (and thus to the P substrate) should be

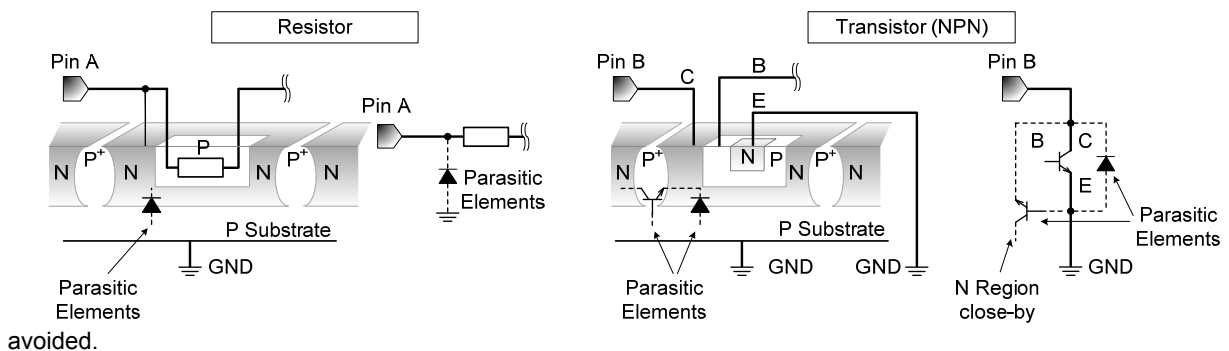


Figure 45. Example of monolithic IC structure

13. Ceramic Capacitor

When using a ceramic capacitor, determine the dielectric constant considering the change of capacitance with temperature and the decrease in nominal capacitance due to DC bias and others.

14. Area of Safe Operation (ASO)

Operate the IC such that the output voltage, output current, and power dissipation are all within the Area of Safe Operation (ASO).

15. Thermal Shutdown Circuit(TSD)

This IC has a built-in thermal shutdown circuit that prevents heat damage to the IC. Normal operation should always be within the IC's power dissipation rating. If however the rating is exceeded for a continued period, the junction temperature (T_j) will rise which will activate the TSD circuit that will turn OFF all output pins. The IC should be powered down and turned ON again to resume normal operation because the TSD circuit keeps the outputs at the OFF state even if the T_j falls below the TSD threshold.

Note that the TSD circuit operates in a situation that exceeds the absolute maximum ratings and therefore, under no circumstances, should the TSD circuit be used in a set design or for any purpose other than protecting the IC from heat damage.

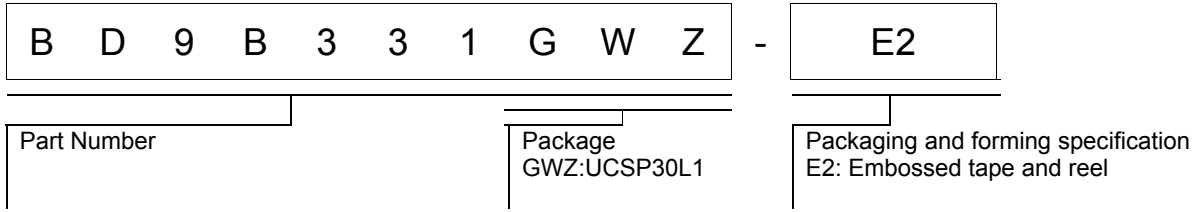
16. Over Current Protection Circuit (OCP)

This IC incorporates an integrated overcurrent protection circuit that is activated when the load is shorted. This protection circuit is effective in preventing damage due to sudden and unexpected incidents. However, the IC should not be used in applications characterized by continuous operation or transitioning of the protection circuit.

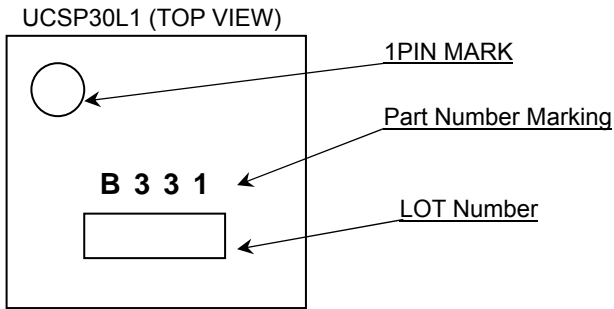
17. Disturbance light

In a device where a portion of silicon is exposed to light such as in a WL-CSP, IC characteristics may be affected due to photoelectric effect. For this reason, it is recommended to come up with countermeasures that will prevent the chip from being exposed to light.

Ordering Information

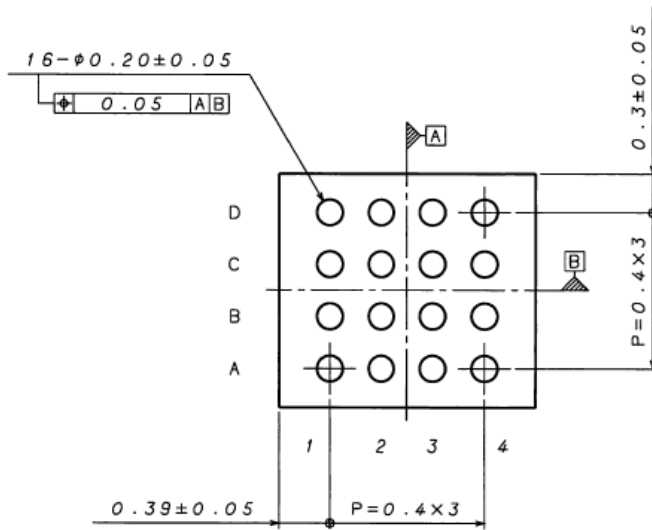
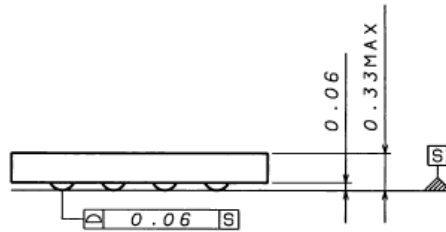
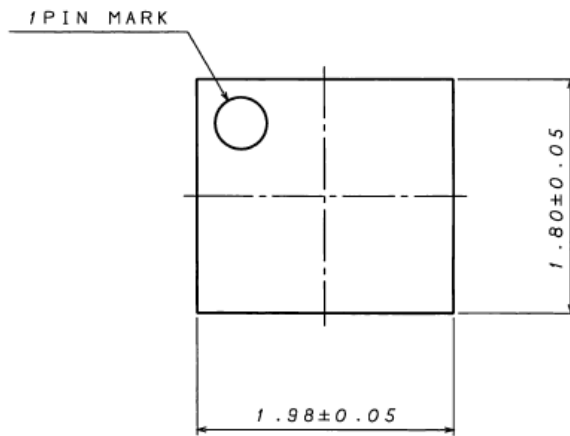


Marking Diagrams



Physical Dimension, Tape and Reel Information

| | |
|--------------|----------|
| Package Name | UCSP30L1 |
|--------------|----------|



<Tape and Reel information>

| | |
|-------------------|---|
| Tape | Embossed carrier tape |
| Quantity | 3000pcs |
| Direction of feed | E2 (The direction is the 1pin of product is at the upper left when you hold reel on the left hand and you pull out the tape on the right hand) |

1pin

Direction of feed

Reel

*Order quantity needs to be multiple of the minimum quantity.

Revision History

| Date | Revision | Changes |
|-------------|----------|------------------|
| 28.Jun.2015 | 001 | New Release |
| 27.May.2015 | 002 | Error correction |

Notice

Precaution on using ROHM Products

- Our Products are designed and manufactured for application in ordinary electronic equipments (such as AV equipment, OA equipment, telecommunication equipment, home electronic appliances, amusement equipment, etc.). If you intend to use our Products in devices requiring extremely high reliability (such as medical equipment ^(Note 1), transport equipment, traffic equipment, aircraft/spacecraft, nuclear power controllers, fuel controllers, car equipment including car accessories, safety devices, etc.) and whose malfunction or failure may cause loss of human life, bodily injury or serious damage to property ("Specific Applications"), please consult with the ROHM sales representative in advance. Unless otherwise agreed in writing by ROHM in advance, ROHM shall not be in any way responsible or liable for any damages, expenses or losses incurred by you or third parties arising from the use of any ROHM's Products for Specific Applications.

(Note1) Medical Equipment Classification of the Specific Applications

| JAPAN | USA | EU | CHINA |
|-----------|-----------|------------|-----------|
| CLASS III | CLASS III | CLASS II b | CLASS III |
| CLASS IV | | CLASS III | |

- ROHM designs and manufactures its Products subject to strict quality control system. However, semiconductor products can fail or malfunction at a certain rate. Please be sure to implement, at your own responsibilities, adequate safety measures including but not limited to fail-safe design against the physical injury, damage to any property, which a failure or malfunction of our Products may cause. The following are examples of safety measures:
 - Installation of protection circuits or other protective devices to improve system safety
 - Installation of redundant circuits to reduce the impact of single or multiple circuit failure
- Our Products are designed and manufactured for use under standard conditions and not under any special or extraordinary environments or conditions, as exemplified below. Accordingly, ROHM shall not be in any way responsible or liable for any damages, expenses or losses arising from the use of any ROHM's Products under any special or extraordinary environments or conditions. If you intend to use our Products under any special or extraordinary environments or conditions (as exemplified below), your independent verification and confirmation of product performance, reliability, etc. prior to use, must be necessary:
 - Use of our Products in any types of liquid, including water, oils, chemicals, and organic solvents
 - Use of our Products outdoors or in places where the Products are exposed to direct sunlight or dust
 - Use of our Products in places where the Products are exposed to sea wind or corrosive gases, including Cl₂, H₂S, NH₃, SO₂, and NO₂
 - Use of our Products in places where the Products are exposed to static electricity or electromagnetic waves
 - Use of our Products in proximity to heat-producing components, plastic cords, or other flammable items
 - Sealing or coating our Products with resin or other coating materials
 - Use of our Products without cleaning residue of flux (even if you use no-clean type fluxes, cleaning residue of flux is recommended); or Washing our Products by using water or water-soluble cleaning agents for cleaning residue after soldering
 - Use of the Products in places subject to dew condensation
- The Products are not subject to radiation-proof design.
- Please verify and confirm characteristics of the final or mounted products in using the Products.
- In particular, if a transient load (a large amount of load applied in a short period of time, such as pulse. is applied, confirmation of performance characteristics after on-board mounting is strongly recommended. Avoid applying power exceeding normal rated power; exceeding the power rating under steady-state loading condition may negatively affect product performance and reliability.
- De-rate Power Dissipation (Pd) depending on Ambient temperature (Ta). When used in sealed area, confirm the actual ambient temperature.
- Confirm that operation temperature is within the specified range described in the product specification.
- ROHM shall not be in any way responsible or liable for failure induced under deviant condition from what is defined in this document.

Precaution for Mounting / Circuit board design

- When a highly active halogenous (chlorine, bromine, etc.) flux is used, the residue of flux may negatively affect product performance and reliability.
- In principle, the reflow soldering method must be used on a surface-mount products, the flow soldering method must be used on a through hole mount products. If the flow soldering method is preferred on a surface-mount products, please consult with the ROHM representative in advance.

For details, please refer to ROHM Mounting specification

Precautions Regarding Application Examples and External Circuits

1. If change is made to the constant of an external circuit, please allow a sufficient margin considering variations of the characteristics of the Products and external components, including transient characteristics, as well as static characteristics.
2. You agree that application notes, reference designs, and associated data and information contained in this document are presented only as guidance for Products use. Therefore, in case you use such information, you are solely responsible for it and you must exercise your own independent verification and judgment in the use of such information contained in this document. ROHM shall not be in any way responsible or liable for any damages, expenses or losses incurred by you or third parties arising from the use of such information.

Precaution for Electrostatic

This Product is electrostatic sensitive product, which may be damaged due to electrostatic discharge. Please take proper caution in your manufacturing process and storage so that voltage exceeding the Products maximum rating will not be applied to Products. Please take special care under dry condition (e.g. Grounding of human body / equipment / solder iron, isolation from charged objects, setting of Ionizer, friction prevention and temperature / humidity control).

Precaution for Storage / Transportation

1. Product performance and soldered connections may deteriorate if the Products are stored in the places where:
 - [a] the Products are exposed to sea winds or corrosive gases, including Cl₂, H₂S, NH₃, SO₂, and NO₂
 - [b] the temperature or humidity exceeds those recommended by ROHM
 - [c] the Products are exposed to direct sunshine or condensation
 - [d] the Products are exposed to high Electrostatic
2. Even under ROHM recommended storage condition, solderability of products out of recommended storage time period may be degraded. It is strongly recommended to confirm solderability before using Products of which storage time is exceeding the recommended storage time period.
3. Store / transport cartons in the correct direction, which is indicated on a carton with a symbol. Otherwise bent leads may occur due to excessive stress applied when dropping of a carton.
4. Use Products within the specified time after opening a humidity barrier bag. Baking is required before using Products of which storage time is exceeding the recommended storage time period.

Precaution for Product Label

QR code printed on ROHM Products label is for ROHM's internal use only.

Precaution for Disposition

When disposing Products please dispose them properly using an authorized industry waste company.

Precaution for Foreign Exchange and Foreign Trade act

Since concerned goods might be fallen under listed items of export control prescribed by Foreign exchange and Foreign trade act, please consult with ROHM in case of export.

Precaution Regarding Intellectual Property Rights

1. All information and data including but not limited to application example contained in this document is for reference only. ROHM does not warrant that foregoing information or data will not infringe any intellectual property rights or any other rights of any third party regarding such information or data.
2. ROHM shall not have any obligations where the claims, actions or demands arising from the combination of the Products with other articles such as components, circuits, systems or external equipment (including software).
3. No license, expressly or implied, is granted hereby under any intellectual property rights or other rights of ROHM or any third parties with respect to the Products or the information contained in this document. Provided, however, that ROHM will not assert its intellectual property rights or other rights against you or your customers to the extent necessary to manufacture or sell products containing the Products, subject to the terms and conditions herein.

Other Precaution

1. This document may not be reprinted or reproduced, in whole or in part, without prior written consent of ROHM.
2. The Products may not be disassembled, converted, modified, reproduced or otherwise changed without prior written consent of ROHM.
3. In no event shall you use in any way whatsoever the Products and the related technical information contained in the Products or this document for any military purposes, including but not limited to, the development of mass-destruction weapons.
4. The proper names of companies or products described in this document are trademarks or registered trademarks of ROHM, its affiliated companies or third parties.

General Precaution

1. Before you use our Products, you are requested to carefully read this document and fully understand its contents. ROHM shall not be in any way responsible or liable for failure, malfunction or accident arising from the use of any ROHM's Products against warning, caution or note contained in this document.
2. All information contained in this document is current as of the issuing date and subject to change without any prior notice. Before purchasing or using ROHM's Products, please confirm the latest information with a ROHM sales representative.
3. The information contained in this document is provided on an "as is" basis and ROHM does not warrant that all information contained in this document is accurate and/or error-free. ROHM shall not be in any way responsible or liable for any damages, expenses or losses incurred by you or third parties resulting from inaccuracy or errors of or concerning such information.

Mouser Electronics

Authorized Distributor

Click to View Pricing, Inventory, Delivery & Lifecycle Information:

[ROHM Semiconductor:](#)

[BD9B331GWZ-E2](#)