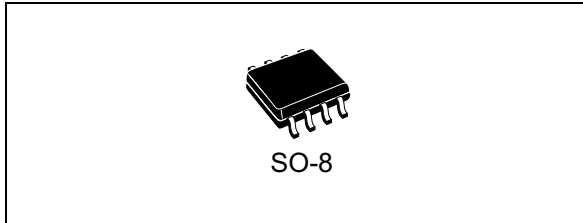


High voltage high and low-side driver

Datasheet - production data



Features

- High voltage rail up to 600 V
- dV/dt immunity ± 50 V/ns in full temperature range
- Driver current capability:
 - 290 mA source
 - 430 mA sink
- Switching times 75/35 ns rise/fall with 1 nF load
- 3.3 V, 5 V TTL/CMOS input comparators with hysteresis
- Integrated bootstrap diode
- Fixed 320 ns deadtime
- Interlocking function
- Compact and simplified layout
- Bill of material reduction
- Flexible, easy and fast design

Applications

- Motor driver for home appliances, factory automation, industrial drives and fans.

Description

The L6398 is a high voltage device manufactured with the BCD™ “offline” technology. It is a single-chip half bridge gate driver for the N-channel power MOSFET or IGBT.

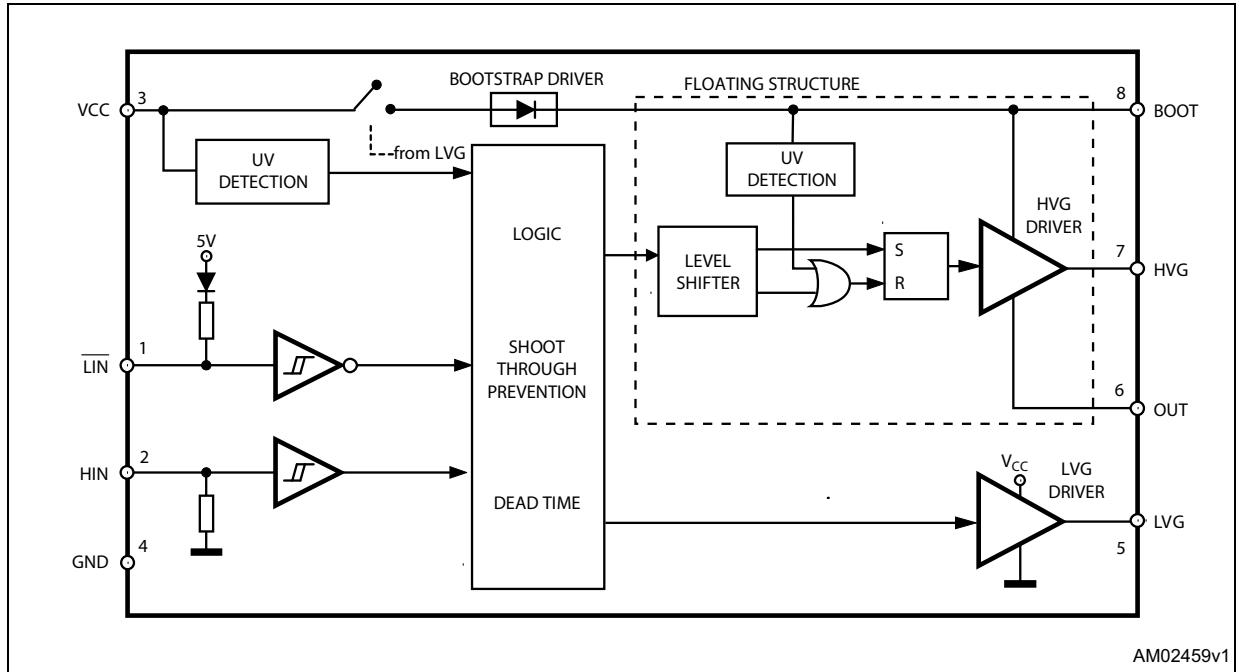
The high-side (floating) section is designed to stand a voltage rail up to 600 V. The logic inputs are CMOS/TTL compatible down to 3.3 V for the easy interfacing microcontroller/DSP.

Contents

1	Block diagram	3
2	Pin connection	4
3	Truth table	5
4	Electrical data	6
	4.1 Absolute maximum ratings	6
	4.2 Thermal data	6
	4.3 Recommended operating conditions	6
5	Electrical characteristics	7
	5.1 AC operation	7
	5.2 DC operation	8
6	Waveforms definitions	9
7	Typical application diagram	10
8	Bootstrap driver	11
	C _{BOOT} selection and charging	11
9	Package information	13
	SO-8 package information	13
10	Order codes	15
11	Revision history	15

1 Block diagram

Figure 1. Block diagram



2 Pin connection

Figure 2. Pin connection (top view)

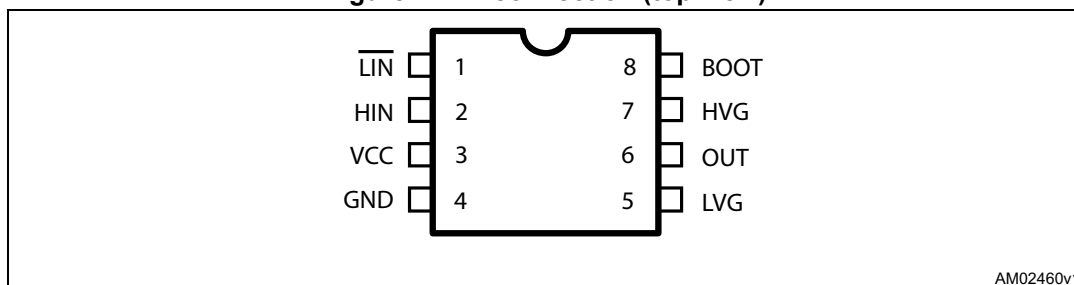


Table 1. Pin description

Pin no.	Pin name	Type	Function
1	$\overline{\text{LIN}}$	I	Low side-driver logic input (active low)
2	HIN	I	High-side driver logic input (active high)
3	VCC	P	Lower section supply voltage
4	GND	P	Ground
5	LVG ⁽¹⁾	O	Low-side driver output
6	OUT	P	High-side (floating) common voltage
7	HVG ⁽¹⁾	O	High-side driver output
8	BOOT	P	Bootstrapped supply voltage

1. The circuit guarantees less than 1 V on the LVG and HVG pins (at $I_{\text{sink}} = 10 \text{ mA}$), with $V_{\text{CC}} > 3 \text{ V}$. This allows omitting the “bleeder” resistor connected between the gate and the source of the external MOSFET normally used to hold the pin low.

3 Truth table

Table 2. Truth table

Input		Output	
$\overline{\text{LIN}}$	HIN	LVG	HVG
H	L	L	L
L	H	L	L
L	L	H	L
H	H	L	H

4 Electrical data

4.1 Absolute maximum ratings

Table 3. Absolute maximum rating

Symbol	Parameter	Value		Unit
		Min.	Max.	
V _{CC}	Supply voltage	-0.3	21	V
V _{OUT}	Output voltage	V _{BOOT} - 21	V _{BOOT} + 0.3	V
V _{BOOT}	Bootstrap voltage	-0.3	620	V
V _{hvg}	High-side gate output voltage	V _{OUT} - 0.3	V _{BOOT} + 0.3	V
V _{lvg}	Low-side gate output voltage	-0.3	V _{CC} + 0.3	V
V _i	Logic input voltage	-0.3	15	V
dV _{OUT} /dt	Allowed output slew rate		50	V/ns
P _{tot}	Total power dissipation (T _A = 25 °C)		800	mW
T _J	Junction temperature		150	°C
T _{stg}	Storage temperature	-50	150	°C
ESD	Human body model	2		kV

4.2 Thermal data

Table 4. Thermal data

Symbol	Parameter	SO-8	Unit
R _{th(JA)}	Thermal resistance junction to ambient	150	°C/W

4.3 Recommended operating conditions

Table 5. Recommended operating conditions

Symbol	Pin	Parameter	Test condition	Min.	Max.	Unit
V _{CC}	3	Supply voltage		10	20	V
V _{BO} ⁽¹⁾	8 - 6	Floating supply voltage		9.8	20	V
V _{OUT}	6	Output voltage		- 11 ⁽²⁾	580	V
f _{sw}		Switching frequency	HVG, LVG load C _L = 1 nF		800	kHz
T _J		Junction temperature		-40	125	°C

1. V_{BO} = V_{BOOT} - V_{OUT}.

2. LVG off. V_{CC} = 10 V
Logic is operational if V_{BOOT} > 5 V.

5 Electrical characteristics

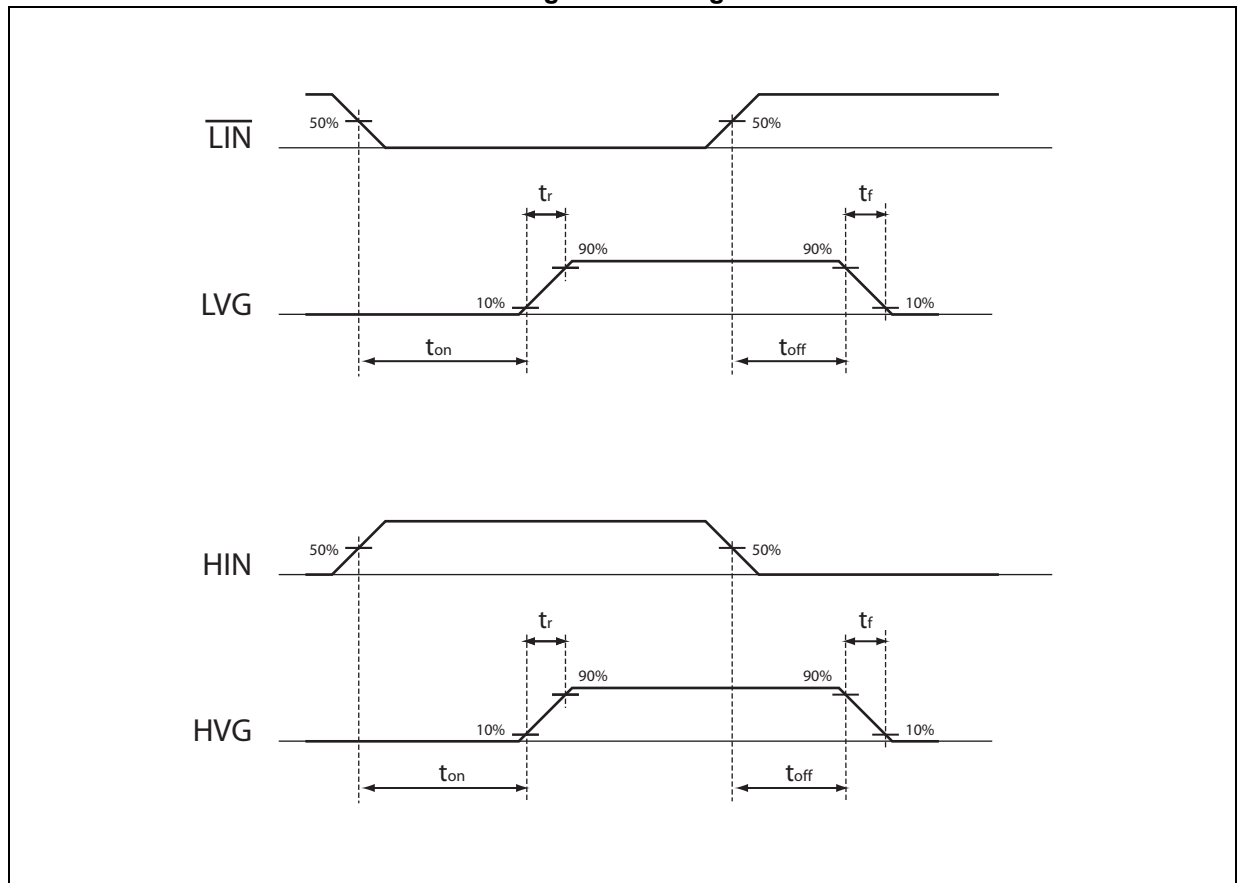
5.1 AC operation

Table 6. AC operation electrical characteristics ($V_{CC} = 15\text{ V}$; $T_J = +25\text{ }^\circ\text{C}$)

Symbol	Pin	Parameter	Test condition	Min.	Typ.	Max.	Unit
t_{on}	1, 2	High/low-side driver turn-on propagation delay	$V_{OUT} = 0\text{ V}$ $V_{BOOT} = V_{CC}$	50	125	200	ns
t_{off}	5, 7	High/low side driver turn-off propagation delay	$C_L = 1\text{ nF}$ $V_{IN} = 0\text{ to }3.3\text{ V}$ See Figure 3	50	125	200	ns
DT		Deadtime ⁽¹⁾	$C_L = 1\text{ nF}$	225	320	415	ns
t_r	5, 7	Rise time	$C_L = 1\text{ nF}$		75	120	ns
t_f		Fall time	$C_L = 1\text{ nF}$		35	70	ns

1. See [Figure 4](#).

Figure 3. Timing



5.2 DC operation

Table 7. DC operation electrical characteristics ($V_{CC} = 15\text{ V}$; $T_J = +25\text{ }^\circ\text{C}$)

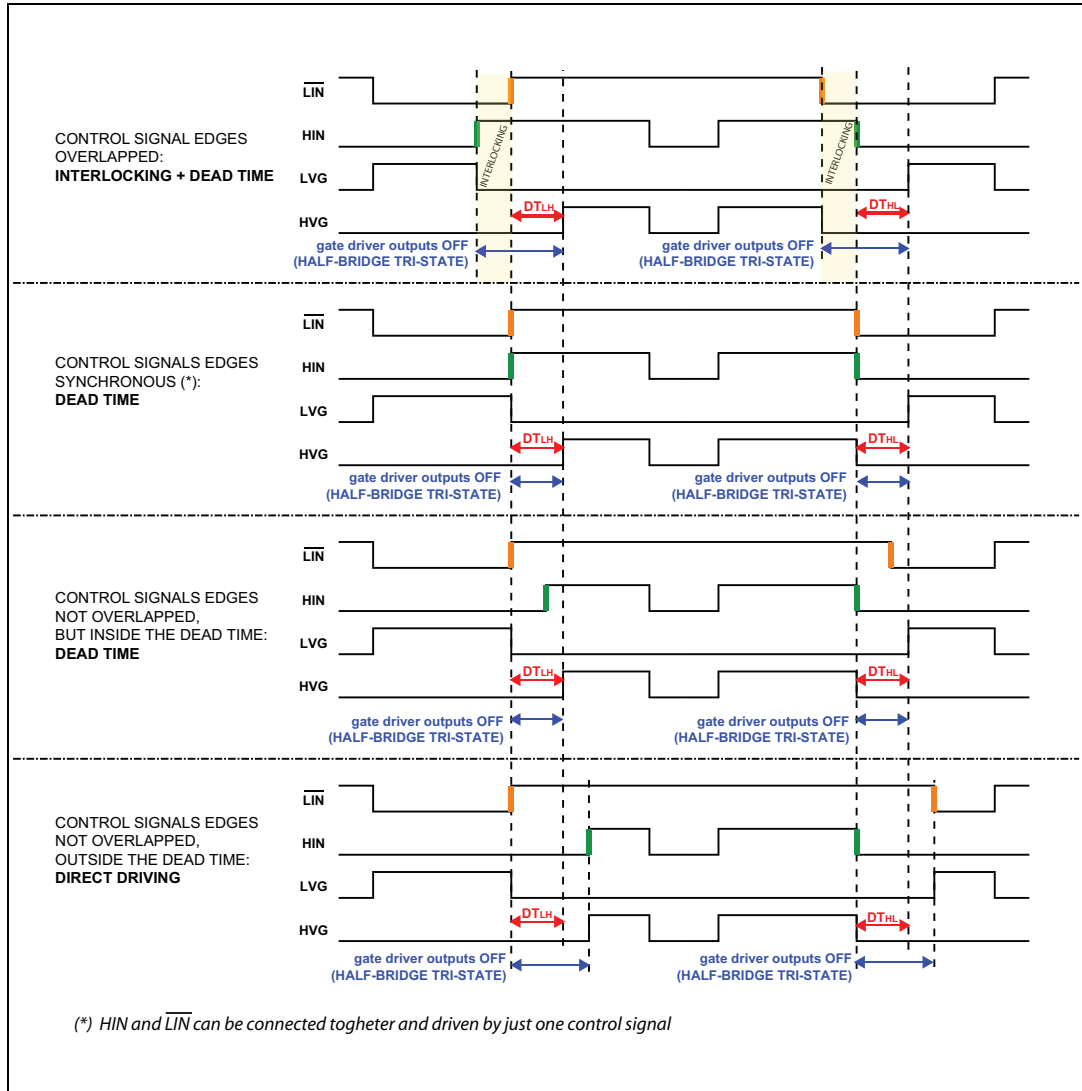
Symbol	Pin	Parameter	Test condition	Min.	Typ.	Max.	Unit
V_{CC_hys}	3	V_{CC} UV hysteresis		1.2	1.5	1.8	V
V_{CC_thON}		V_{CC} UV turn-ON threshold		9	9.5	10	V
V_{CC_thOFF}		V_{CC} UV turn-OFF threshold		7.6	8	8.4	V
I_{qccu}		Undervoltage quiescent supply current	$V_{CC} = 7\text{ V}$ $\overline{LIN} = 5\text{ V}$; HIN = GND;		90	150	μA
I_{qcc}		Quiescent current	$V_{CC} = 15\text{ V}$ $\overline{LIN} = 5\text{ V}$; HIN = GND;		380	440	μA
Bootstrapped supply voltage section⁽¹⁾							
V_{BO_hys}	8	V_{BO} UV hysteresis		0.8	1	1.2	V
V_{BO_thON}		V_{BO} UV turn-ON threshold		8.2	9	9.8	V
V_{BO_thOFF}		V_{BO} UV turn-OFF threshold		7.3	8	8.7	V
I_{QBOU}		Undervoltage V_{BO} quiescent current	$V_{BO} = 7\text{ V}$, $\overline{LIN} = \text{HIN} = 5\text{ V}$		30	60	μA
I_{QBO}		V_{BO} quiescent current	$V_{BO} = 15\text{ V}$, $\overline{LIN} = \text{HIN} = 5\text{ V}$		190	240	μA
I_{LK}		High voltage leakage current	$V_{hvg} = V_{OUT} = V_{BOOT} = 600\text{ V}$			10	μA
$R_{DS(on)}$		Bootstrap driver on resistance ⁽²⁾	LVG ON		120		Ω
Driving buffers section							
I_{so}	5, 7	High/low-side source short-circuit current	$V_{IN} = V_{ih}$ ($t_p < 10\text{ }\mu\text{s}$)	200	290		mA
I_{si}		High/low side sink short-circuit current	$V_{IN} = V_{il}$ ($t_p < 10\text{ }\mu\text{s}$)	250	430		mA
Logic inputs							
V_{il}	1, 2	Low level logic threshold voltage		0.8		1.1	V
V_{ih}		High level logic threshold voltage		1.9		2.25	V
V_{il_S}	1, 2	Single input voltage	\overline{LIN} and HIN connected together and floating			0.8	V
I_{HINh}	2	HIN logic "1" input bias current	HIN = 15 V	110	175	260	μA
I_{HINI}		HIN logic "0" input bias current	HIN = 0 V			1	μA
I_{LINI}	1	\overline{LIN} logic "0" input bias current	$\overline{LIN} = 0\text{ V}$	3	6	20	μA
I_{LINh}		\overline{LIN} logic "1" input bias current	$\overline{LIN} = 15\text{ V}$			1	μA

1. $V_{BO} = V_{BOOT} - V_{OUT}$.

2. $R_{DS(on)}$ is tested in the following way: $R_{DS(on)} = [(V_{CC} - V_{BOOT1}) - (V_{CC} - V_{BOOT2})] / [I_1(V_{CC}, V_{BOOT1}) - I_2(V_{CC}, V_{BOOT2})]$ where I_1 is the pin 8 current when $V_{BOOT} = V_{BOOT1}$, I_2 when $V_{BOOT} = V_{BOOT2}$.

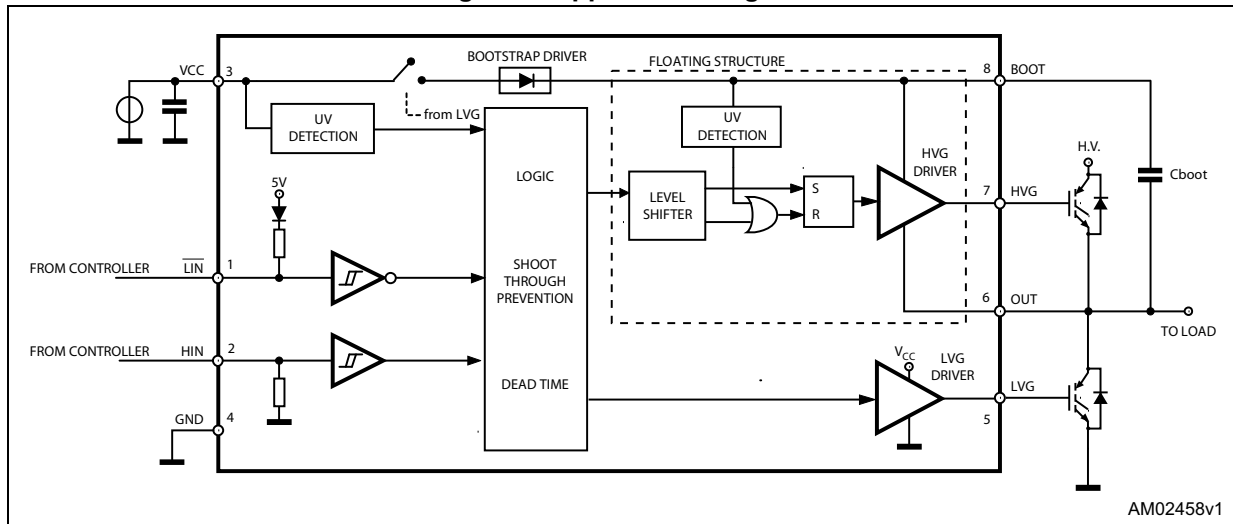
6 Waveforms definitions

Figure 4. Deadtime and interlocking waveforms definitions



7 Typical application diagram

Figure 5. Application diagram



8 Bootstrap driver

A bootstrap circuitry is needed to supply the high voltage section. This function is normally accomplished by a high voltage fast recovery diode ([Figure 6](#)). In the L6398 device a patented integrated structure replaces the external diode. It is realized by a high voltage DMOS, driven synchronously with the low-side driver (LVG), with a diode in series, as shown in [Figure 7](#). An internal charge pump ([Figure 7](#)) provides the DMOS driving voltage.

C_{BOOT} selection and charging

To choose the proper C_{BOOT} value the external MOS can be seen as an equivalent capacitor. This capacitor C_{EXT} is related to the MOS total gate charge:

Equation 1

$$C_{EXT} = \frac{Q_{gate}}{V_{gate}}$$

The ratio between the capacitors C_{EXT} and C_{BOOT} is proportional to the cyclical voltage loss. It has to be:

Equation 2

$$C_{BOOT} \gg \gg C_{EXT}$$

E.g.: if Q_{gate} is 30 nC and V_{gate} is 10 V, C_{EXT} is 3 nF. With $C_{BOOT} = 100$ nF the drop would be 300 mV.

If HVG has to be supplied for a long time, the C_{BOOT} selection has to take into account also the leakage and quiescent losses.

E.g.: HVG steady state consumption is lower than 190 μ A, so if HVG T_{ON} is 5 ms, C_{BOOT} has to supply 1 μ C to C_{EXT} . This charge on a 1 μ F capacitor means a voltage drop of 1 V.

The internal bootstrap driver gives a great advantage: the external fast recovery diode can be avoided (it usually has great leakage current).

This structure can work only if V_{OUT} is close to GND (or lower) and in the meanwhile the LVG is on. The charging time (T_{charge}) of the C_{BOOT} is the time in which both conditions are fulfilled and it has to be long enough to charge the capacitor.

The bootstrap driver introduces a voltage drop due to the DMOS R_{Dson} (typical value: 120 Ω). At low frequency this drop can be neglected. Anyway increasing the frequency it must be taken in to account.

The following equation is useful to compute the drop on the bootstrap DMOS:

Equation 3

$$V_{drop} = I_{charge} R_{dson} \rightarrow V_{drop} = \frac{Q_{gate}}{T_{charge}} R_{dson}$$

where Q_{gate} is the gate charge of the external power MOS, R_{dson} is the on resistance of the bootstrap DMOS and T_{charge} is the charging time of the bootstrap capacitor.

For example: using a power MOS with a total gate charge of 30 nC the drop on the bootstrap DMOS is about 1 V, if the T_{charge} is 5 μs . In fact:

Equation 4

$$V_{drop} = \frac{30nC}{5\mu s} \cdot 120\Omega \sim 0.7V$$

V_{drop} has to be taken into account when the voltage drop on C_{BOOT} is calculated: if this drop is too high, or the circuit topology doesn't allow a sufficient charging time, an external diode can be used.

Figure 6. Bootstrap driver with high voltage fast recovery diode

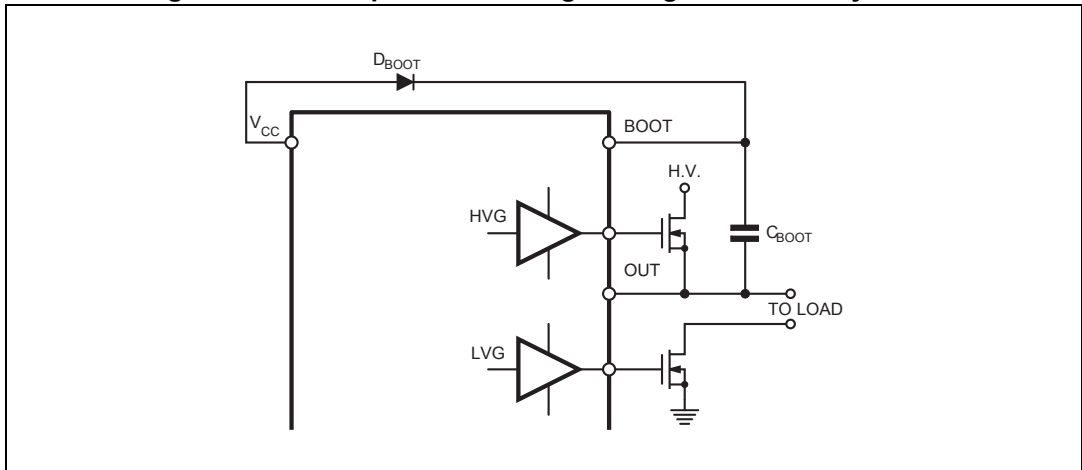
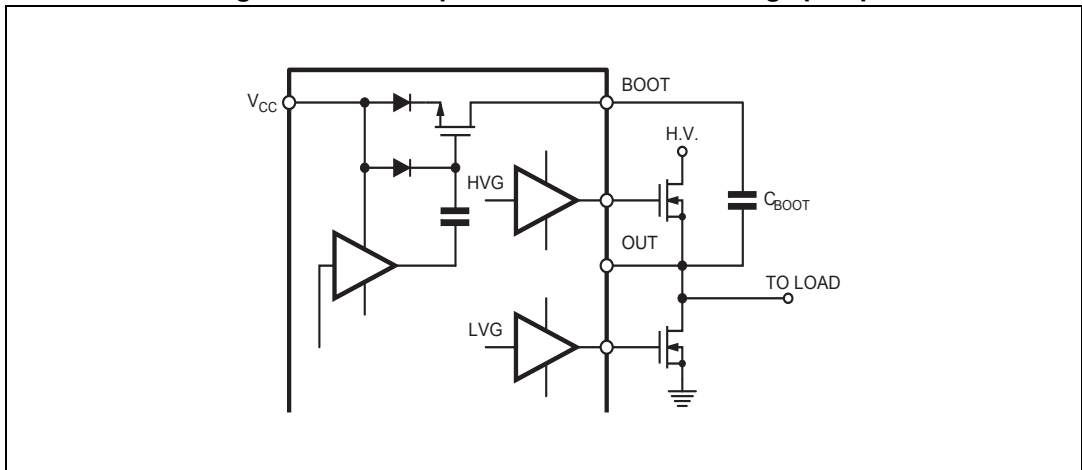


Figure 7. Bootstrap driver with internal charge pump



9 Package information

In order to meet environmental requirements, ST offers these devices in different grades of ECOPACK® packages, depending on their level of environmental compliance. ECOPACK specifications, grade definitions and product status are available at: www.st.com. ECOPACK is an ST trademark.

SO-8 package information

Figure 8. SO-8 package outline

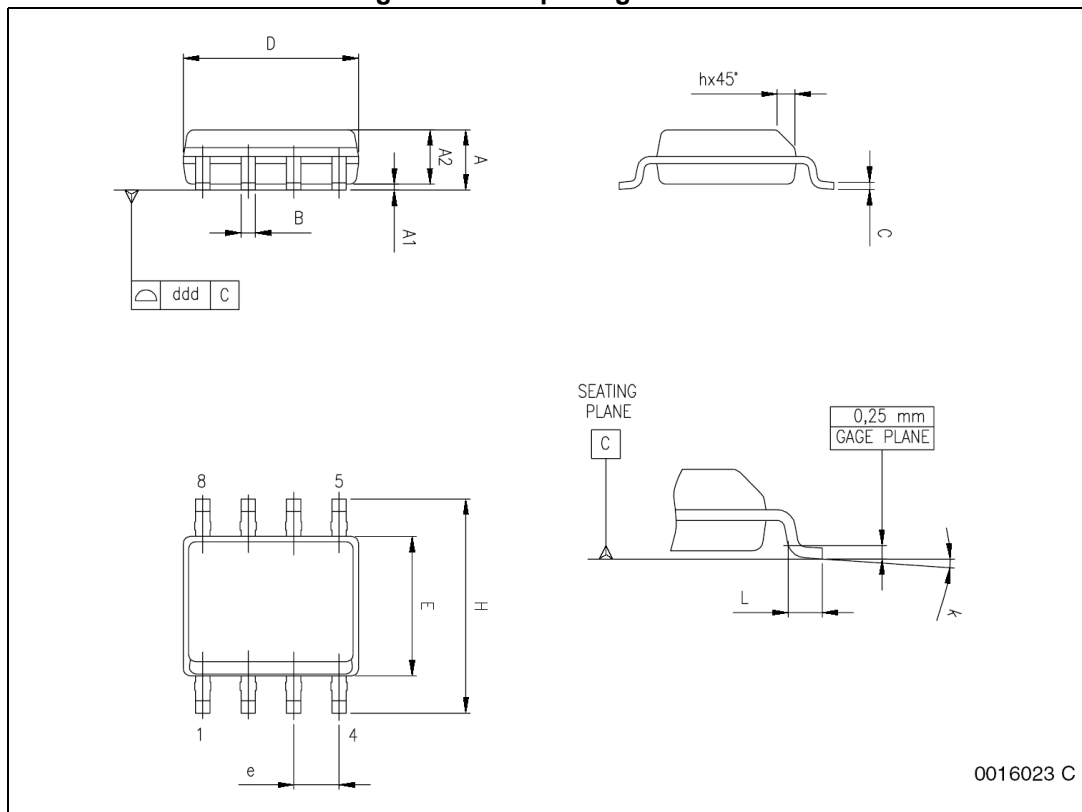
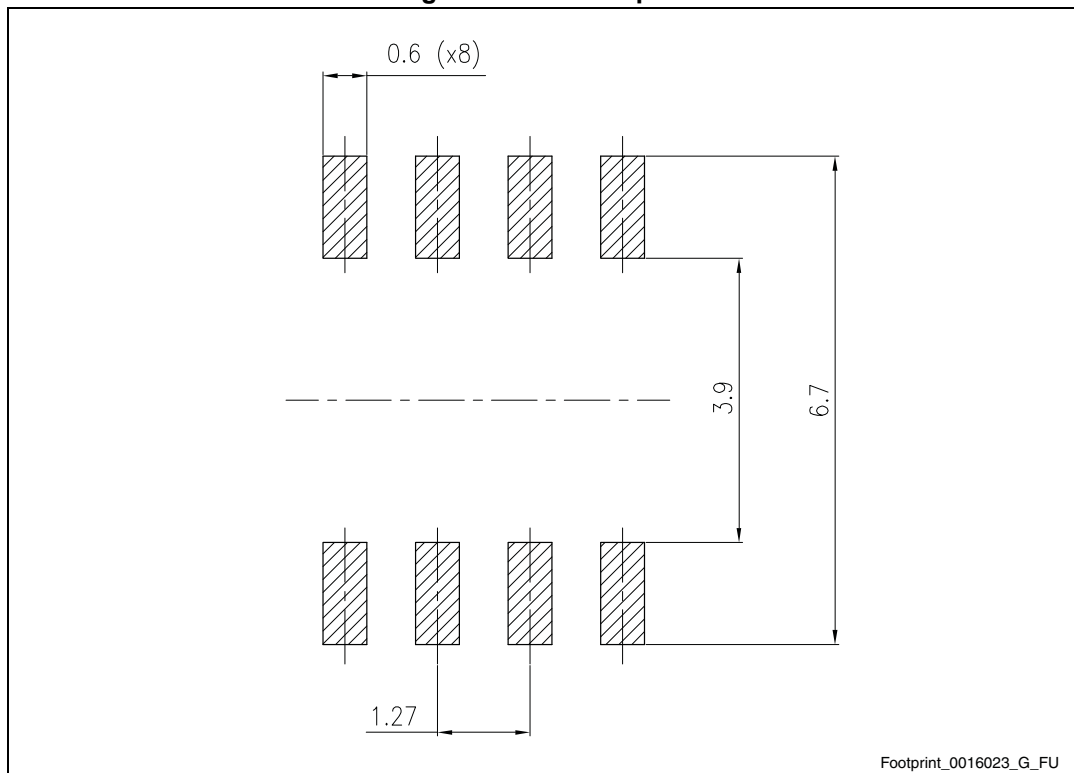


Table 8. SO-8 package mechanical data

Symbol	Dimensions					
	mm			inch		
	Min.	Typ.	Max.	Min.	Typ.	Max.
A	1.35		1.75	0.053		0.069
A1	0.10		0.25	0.004		0.010
A2	1.10		1.65	0.043		0.065
B	0.33		0.51	0.013		0.020
C	0.19		0.25	0.007		0.010
D ⁽¹⁾	4.80		5.00	0.189		0.197
E	3.80		4.00	0.15		0.157
e		1.27			0.050	
H	5.80		6.20	0.228		0.244
h	0.25		0.50	0.010		0.020
L	0.40		1.27	0.016		0.050
k	0° (min.), 8° (max.)					
ddd			0.10			0.004

1. Dimensions D do not include mold flash, protrusions or gate burrs. Mold flash, protrusions or gate burrs shall not exceed 0.15 mm (0.006 inch) in total (both sides).

Figure 9. SO-8 footprint



Footprint_0016023_G_FU

10 Order codes

Table 9. Order codes

Order codes	Package	Packaging
L6398D	SO-8	Tube
L6398DTR	SO-8	Tape and reel

11 Revision history

Table 10. Document revision history

Date	Revision	Changes
14-Dec-2010	1	First release.
16-Feb-2011	2	Updated Table 7 .
01-Apr-2011	3	Typo in coverpage
11-Sep-2015	4	<p>Removed DIP-8 package from the entire document.</p> <p>Updated Table 3 on page 6 (added ESD parameter and value, removed note below Table 3).</p> <p>Updated V_{il} and V_{ih} parameters and values in Table 7 on page 8 and note 2. below Table 7 (replaced V_{CBOOTx} by V_{BOOTx}).</p> <p>Updated Section 9 on page 13 (added Figure 9 on page 14, minor modifications).</p> <p>Moved Table 9 on page 15 (moved from page 1 to page 15, updated/added titles).</p> <p>Minor modifications throughout document.</p>

IMPORTANT NOTICE – PLEASE READ CAREFULLY

STMicroelectronics NV and its subsidiaries (“ST”) reserve the right to make changes, corrections, enhancements, modifications, and improvements to ST products and/or to this document at any time without notice. Purchasers should obtain the latest relevant information on ST products before placing orders. ST products are sold pursuant to ST’s terms and conditions of sale in place at the time of order acknowledgement.

Purchasers are solely responsible for the choice, selection, and use of ST products and ST assumes no liability for application assistance or the design of Purchasers’ products.

No license, express or implied, to any intellectual property right is granted by ST herein.

Resale of ST products with provisions different from the information set forth herein shall void any warranty granted by ST for such product.

ST and the ST logo are trademarks of ST. All other product or service names are the property of their respective owners.

Information in this document supersedes and replaces information previously supplied in any prior versions of this document.

© 2015 STMicroelectronics – All rights reserved

Mouser Electronics

Authorized Distributor

Click to View Pricing, Inventory, Delivery & Lifecycle Information:

[STMicroelectronics:](#)

[L6398DTR](#) [L6398D](#)