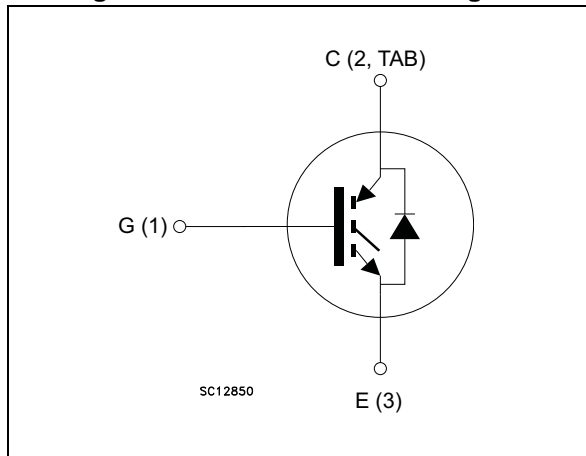


Figure 1. Internal schematic diagram



Features

- High speed switching
- Tight parameters distribution
- Safe paralleling
- Low thermal resistance
- Short-circuit rated
- Ultrafast soft recovery antiparallel diode

Applications

- Motor control
- UPS, PFC

Description

These devices are IGBTs developed using an advanced proprietary trench gate and field-stop structure. The devices are part of the H series of IGBTs, which represent an optimum compromise between conduction and switching losses to maximize the efficiency of high switching frequency converters. Moreover, a slightly positive $V_{CE(sat)}$ temperature coefficient and very tight parameter distribution result in safer paralleling operation.

Table 1. Device summary

Order codes	Marking	Packages	Packing
STGB5H60DF	GB5H60DF	D ² PAK	Tape and reel
STGD5H60DF	GD5H60DF	DPAK	Tape and reel
STGF5H60DF	GF5H60DF	TO-220FP	Tube
STGP5H60DF	GP5H60DF	TO-220	Tube

Contents

- 1 Electrical ratings 3**

- 2 Electrical characteristics 4**
 - 2.1 Electrical characteristics (curves) 7

- 3 Test circuits 15**

- 4 Package information 16**
 - 4.1 D²PAK package information 16
 - 4.2 DPAK package information 19
 - 4.3 D²PAK and DPAK packing information 22
 - 4.4 TO-220FP package information 25
 - 4.5 TO-220 package information 27

- 5 Revision history 29**

1 Electrical ratings

Table 2. Absolute maximum ratings

Symbol	Parameter	D ² PAK TO-220	DPAK	TO- 220FP	Unit
V _{CES}	Collector-emitter voltage (V _{GE} = 0)	600			V
I _C	Continuous collector current at T _C = 25 °C	10		10 ⁽¹⁾	A
	Continuous collector current at T _C = 100 °C	5		5 ⁽¹⁾	
I _{CP} ⁽²⁾	Pulsed collector current	20		20 ⁽¹⁾	A
V _{GE}	Gate-emitter voltage	±20			V
I _F	Continuous forward current T _C = 25 °C	10		10 ⁽¹⁾	A
	Continuous forward current at T _C = 100 °C	5		5 ⁽¹⁾	
I _{FP} ⁽²⁾	Pulsed forward current	20		20 ⁽¹⁾	A
V _{ISO}	Insulation withstand voltage (RMS) from all three leads to external heat sink (t = 1 s, T _C = 25 °C)	2500			V
P _{TOT}	Total dissipation at T _C = 25 °C	88	83	24	W
T _{STG}	Storage temperature range	- 55 to 150			°C
T _J	Operating junction temperature	- 55 to 175			

1. Limited by maximum junction temperature.
2. Pulse width limited by maximum junction temperature.

Table 3. Thermal data

Symbol	Parameter	D ² PAK TO-220	DPAK	TO- 220FP	Unit
R _{thJC}	Thermal resistance junction-case IGBT	1.7	1.8	6.2	°C/W
R _{thJC}	Thermal resistance junction-case diode	4	4.5	7	
R _{thJA}	Thermal resistance junction-ambient	62.5	100	62.5	

2 Electrical characteristics

$T_J = 25\text{ °C}$ unless otherwise specified.

Table 4. Static

Symbol	Parameter	Test conditions	Min.	Typ.	Max.	Unit
$V_{(BR)CES}$	Collector-emitter breakdown voltage ($V_{GE} = 0$)	$I_C = 2\text{ mA}$	600			V
$V_{CE(sat)}$	Collector-emitter saturation voltage	$V_{GE} = 15\text{ V}, I_C = 5\text{ A}$		1.5	1.95	V
		$V_{GE} = 15\text{ V}, I_C = 5\text{ A}$ $T_J = 125\text{ °C}$		1.6		
		$V_{GE} = 15\text{ V}, I_C = 5\text{ A}$ $T_J = 175\text{ °C}$		1.7		
$V_{GE(th)}$	Gate threshold voltage	$V_{CE} = V_{GE}, I_C = 250\text{ }\mu\text{A}$	4.8	6.2	6.9	V
I_{CES}	Collector cut-off current ($V_{GE} = 0$)	$V_{CE} = 600\text{ V}$			25	μA
I_{GES}	Gate-emitter leakage current ($V_{CE} = 0$)	$V_{GE} = \pm 20\text{ V}$			± 250	nA

Table 5. Dynamic

Symbol	Parameter	Test conditions	Min.	Typ.	Max.	Unit
C_{ies}	Input capacitance	$V_{CE} = 25\text{ V}, f = 1\text{ MHz},$ $V_{GE} = 0$	-	855	-	pF
C_{oes}	Output capacitance		-	34	-	pF
C_{res}	Reverse transfer capacitance		-	19	-	pF
Q_g	Total gate charge	$V_{CC} = 480\text{ V}, I_C = 5\text{ A},$ $V_{GE} = 15\text{ V}$	-	43	-	nC
Q_{ge}	Gate-emitter charge		-	17.5	-	nC
Q_{gc}	Gate-collector charge		-	6.5	-	nC

Table 6. Switching characteristics (inductive load)

Symbol	Parameter	Test conditions	Min.	Typ.	Max.	Unit
$t_{d(on)}$	Turn-on delay time	$V_{CE} = 400\text{ V}$, $I_C = 5\text{ A}$, $R_G = 47\ \Omega$, $V_{GE} = 15\text{ V}$	-	30	-	ns
t_r	Current rise time		-	10.8	-	ns
$(di/dt)_{on}$	Turn-on current slope		-	370	-	A/ μ s
$t_{d(on)}$	Turn-on delay time	$V_{CE} = 400\text{ V}$, $I_C = 5\text{ A}$, $R_G = 47\ \Omega$, $V_{GE} = 15\text{ V}$ $T_J = 175\text{ }^\circ\text{C}$	-	28	-	ns
t_r	Current rise time		-	11	-	ns
$(di/dt)_{on}$	Turn-on current slope		-	363	-	A/ μ s
$t_{r(Voff)}$	Off voltage rise time	$V_{CE} = 400\text{ V}$, $I_C = 5\text{ A}$, $R_G = 47\ \Omega$, $V_{GE} = 15\text{ V}$	-	29	-	ns
$t_{d(off)}$	Turn-off delay time		-	140	-	ns
t_f	Current fall time		-	95	-	ns
$t_{r(Voff)}$	Off voltage rise time	$V_{CE} = 400\text{ V}$, $I_C = 5\text{ A}$, $R_G = 47\ \Omega$, $V_{GE} = 15\text{ V}$ $T_J = 175\text{ }^\circ\text{C}$	-	44	-	ns
$t_{d(off)}$	Turn-off delay time		-	146	-	ns
t_f	Current fall time		-	134	-	ns
t_{sc}	Short-circuit withstand time	$V_{CC} \leq 360\text{ V}$, $V_{GE} = 15\text{ V}$, $R_G = 47\ \Omega$	-	5	-	μ s

Table 7. Switching energy (inductive load)

Symbol	Parameter	Test conditions	Min.	Typ.	Max.	Unit
$E_{on}^{(1)}$	Turn-on switching losses	$V_{CE} = 400\text{ V}$, $I_C = 5\text{ A}$, $R_G = 47\ \Omega$, $V_{GE} = 15\text{ V}$	-	56	-	μ J
$E_{off}^{(2)}$	Turn-off switching losses		-	78.5	-	μ J
E_{ts}	Total switching losses		-	134.5	-	μ J
$E_{on}^{(1)}$	Turn-on switching losses	$V_{CE} = 400\text{ V}$, $I_C = 5\text{ A}$, $R_G = 47\ \Omega$, $V_{GE} = 15\text{ V}$ $T_J = 175\text{ }^\circ\text{C}$	-	87	-	μ J
$E_{off}^{(2)}$	Turn-off switching losses		-	134	-	μ J
E_{ts}	Total switching losses		-	221	-	μ J

1. Energy losses include reverse recovery of the diode.
2. Turn-off losses include also the tail of the collector current.

Table 8. Collector-emitter diode

Symbol	Parameter	Test conditions	Min.	Typ.	Max.	Unit
V_F	Forward on-voltage	$I_F = 5 \text{ A}$	-	2.1	-	V
		$I_F = 5 \text{ A}, T_J = 175 \text{ °C}$	-	1.65	-	
t_{rr}	Reverse recovery time	$V_{CC} = 400 \text{ V}; I_F = 5 \text{ A};$ $di_F/dt = 100 \text{ A} / \mu\text{s}$	-	134.5	-	ns
Q_{rr}	Reverse recovery charge		-	48	-	nC
I_{rrm}	Reverse recovery current		-	1.38	-	A
t_{rr}	Reverse recovery time	$V_{CC} = 400 \text{ V}; I_F = 5 \text{ A};$ $di_F/dt = 100 \text{ A} / \mu\text{s}$ $T_J = 175 \text{ °C}$	-	157	-	ns
Q_{rr}	Reverse recovery charge		-	165	-	nC
I_{rrm}	Reverse recovery current		-	2.4	-	A

2.1 Electrical characteristics (curves)

Figure 2. Power dissipation vs. case temperature for D²PAK and TO-220

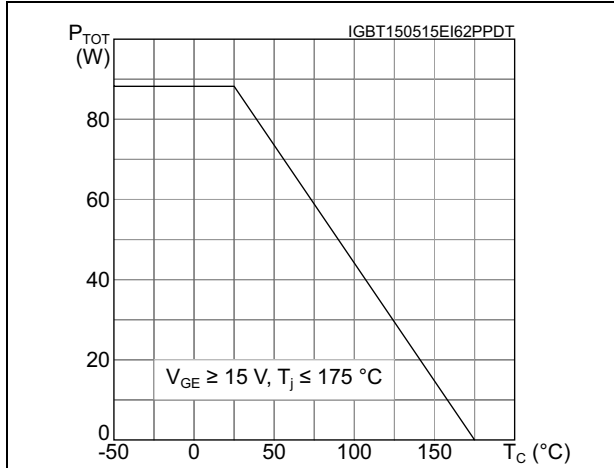


Figure 3. Collector current vs. case temperature for D²PAK and TO-220

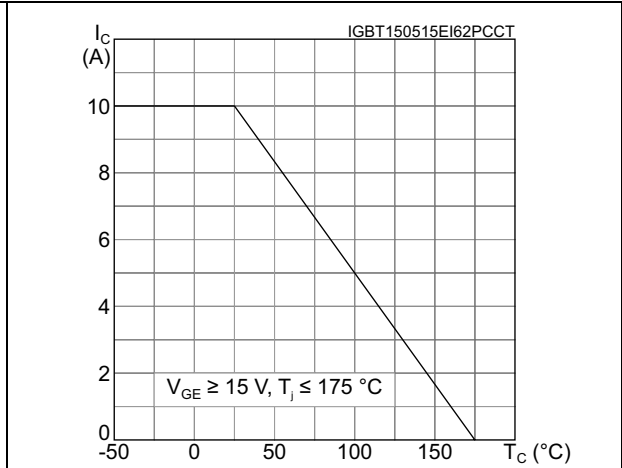


Figure 4. Power dissipation vs. case temperature for DPAK

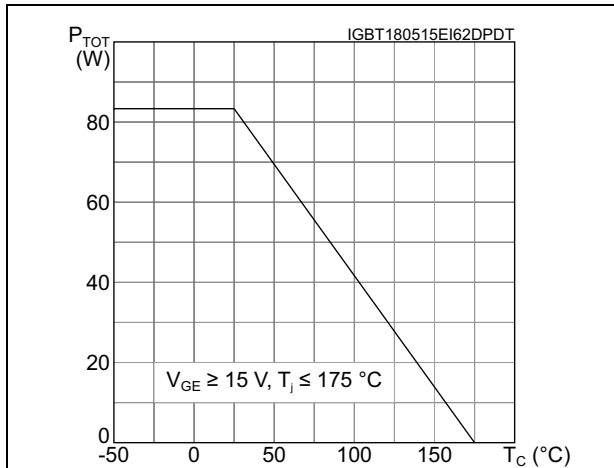


Figure 5. Collector current vs. case temperature for DPAK

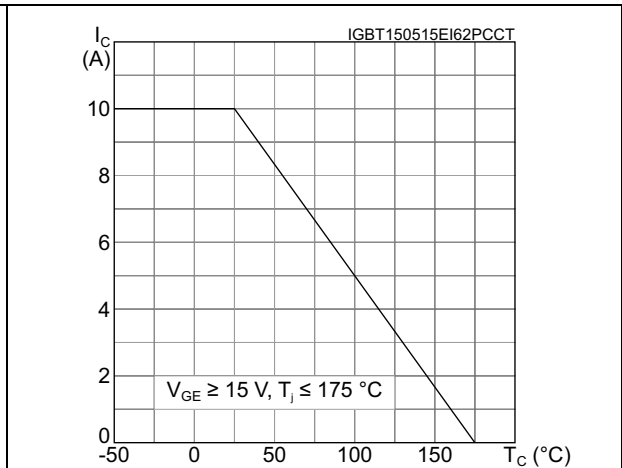


Figure 6. Power dissipation vs. case temperature for TO-220FP

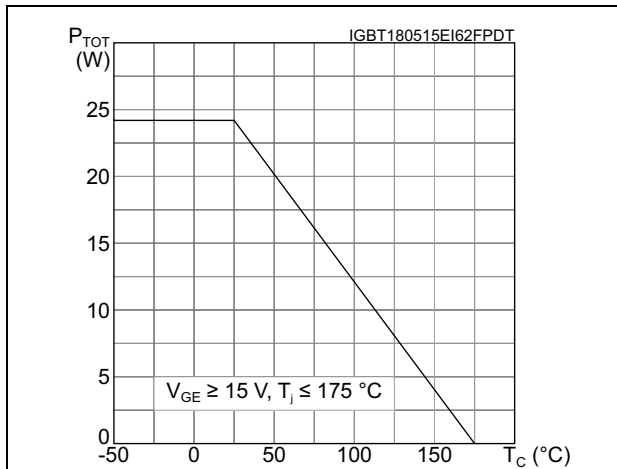


Figure 7. Collector current vs. case temperature for TO-220FP

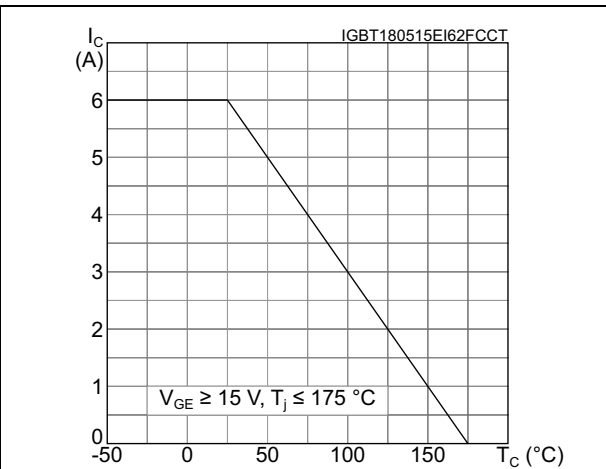


Figure 8. Output characteristics (T_J = 25°C)

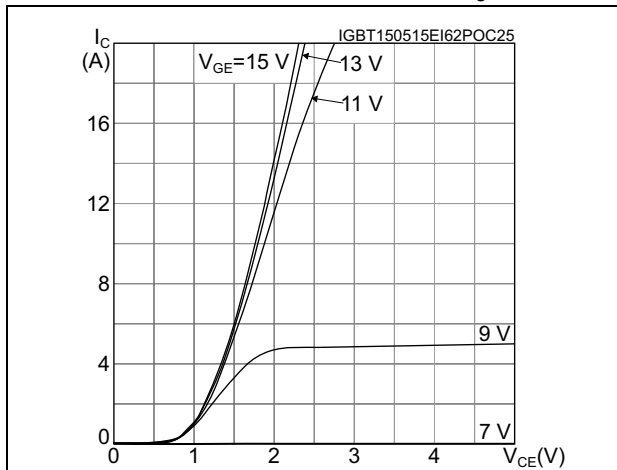


Figure 9. Output characteristics (T_J = 175°C)

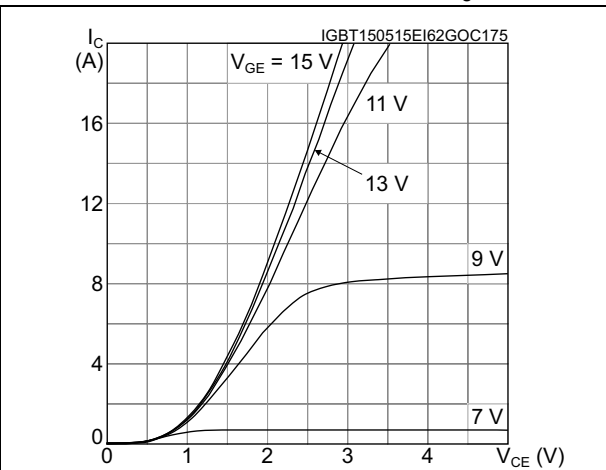


Figure 10. V_{CE(sat)} vs. junction temperature

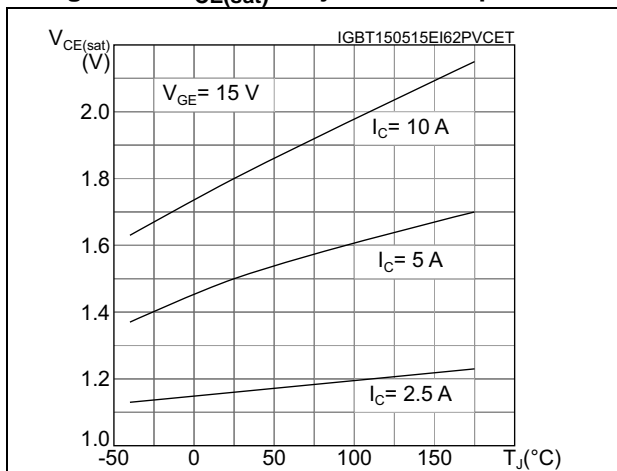


Figure 11. V_{CE(sat)} vs. collector current

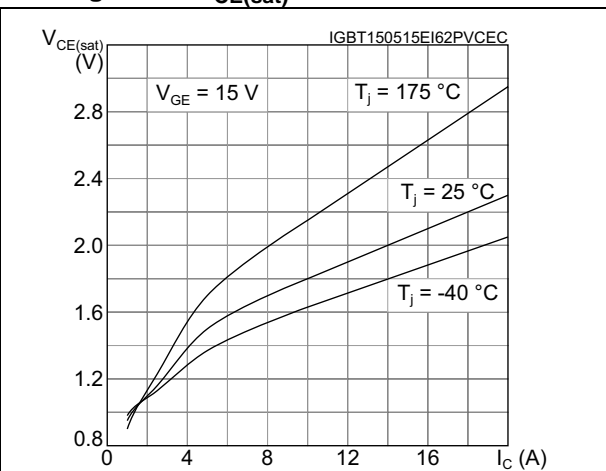


Figure 12. Collector current vs. switching frequency for D²PAK, DPAK and TO-220

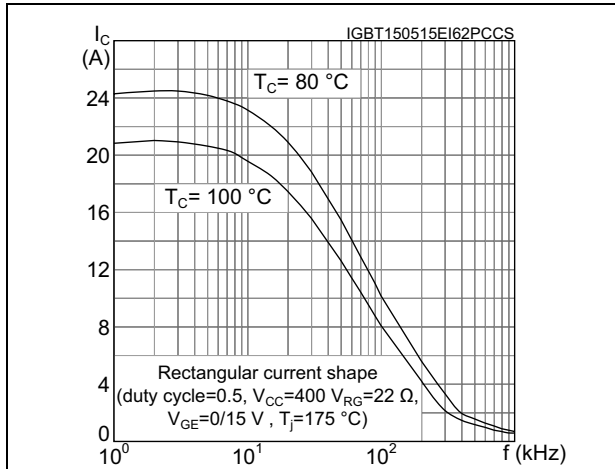


Figure 13. Collector current vs. switching frequency for TO-220FP

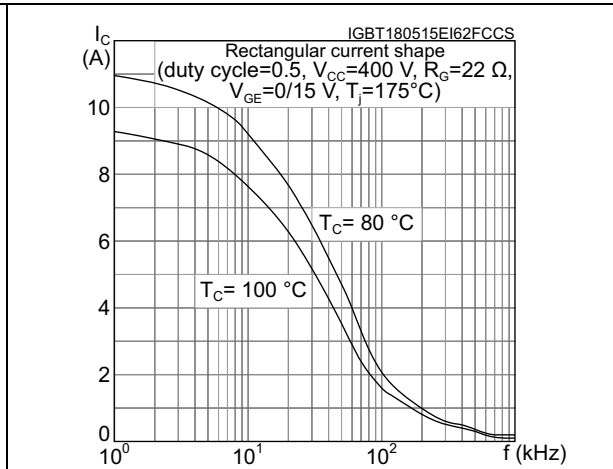


Figure 14. Forward bias safe operating area for D²PAK, DPAK and TO-220

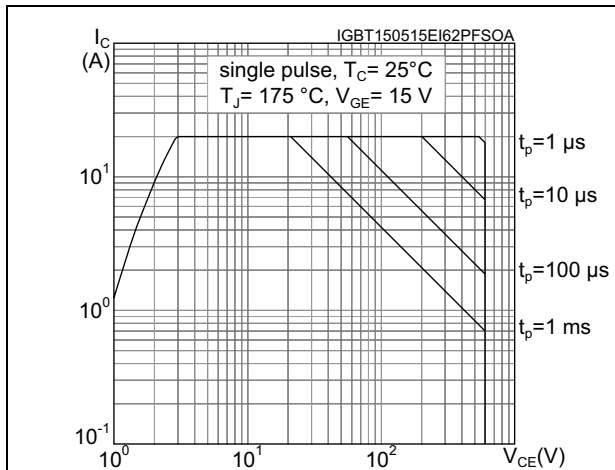


Figure 15. Forward bias safe operating area for TO-220FP

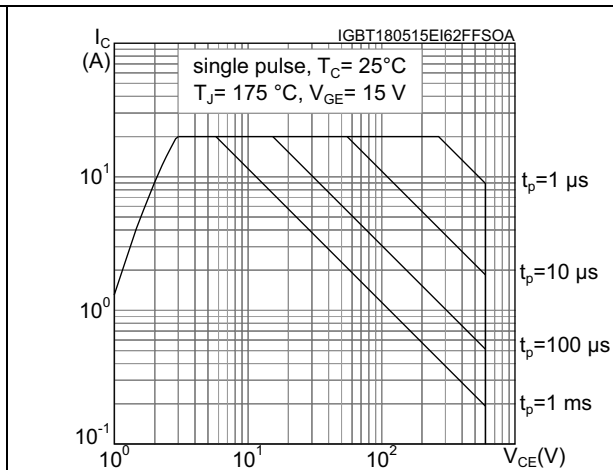


Figure 16. Transfer characteristics

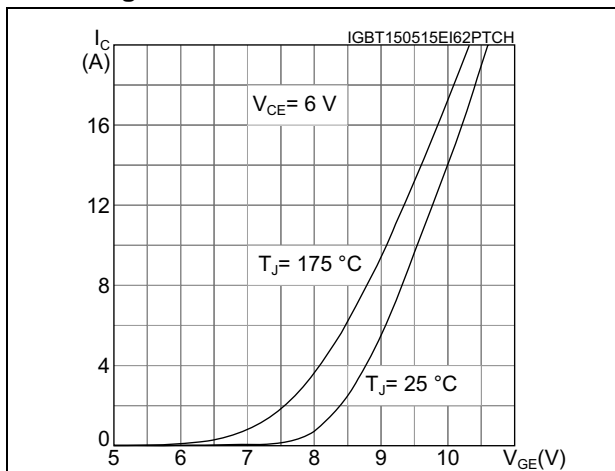


Figure 17. Diode V_F vs. forward current

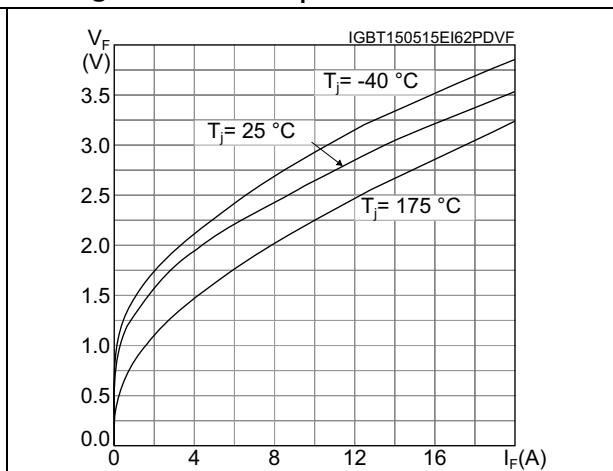


Figure 18. Normalized $V_{GE(th)}$ vs junction temperature

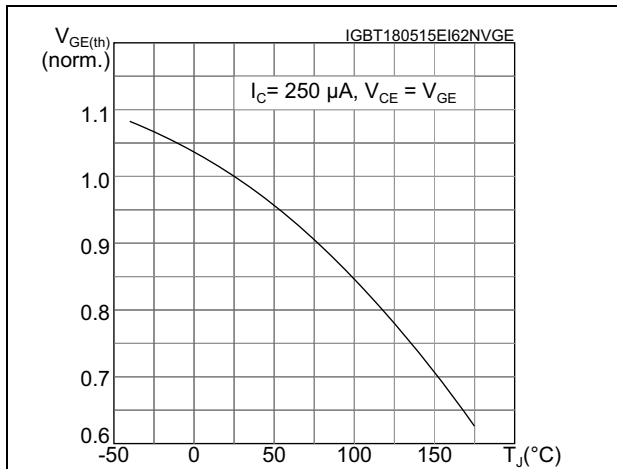


Figure 19. Normalized $V_{(BR)CES}$ vs. junction temperature

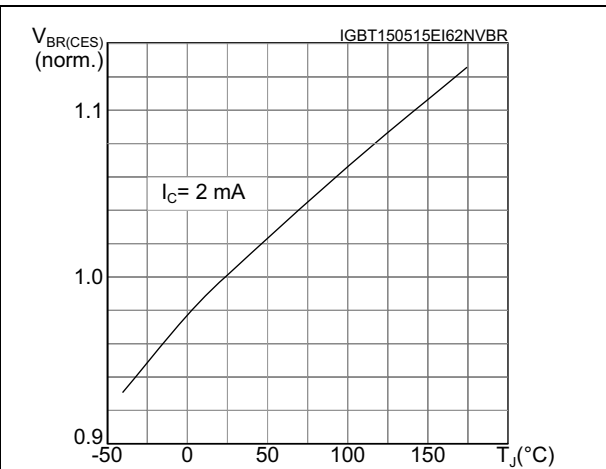


Figure 20. Capacitance variation

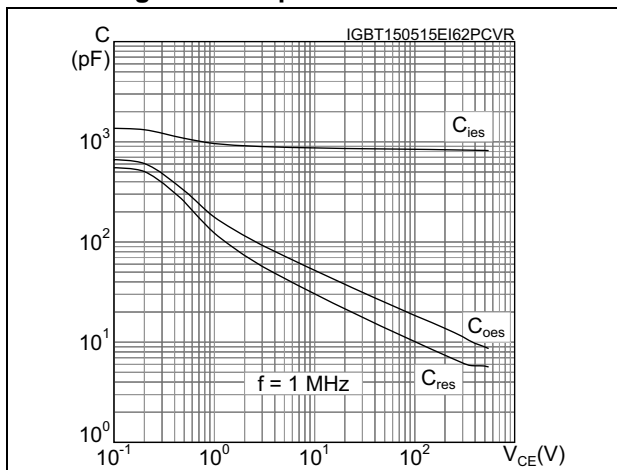


Figure 21. Gate charge vs. gate-emitter voltage

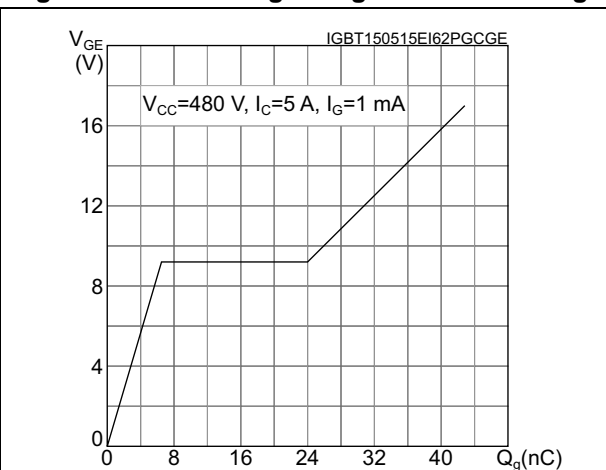


Figure 22. Switching loss vs collector current

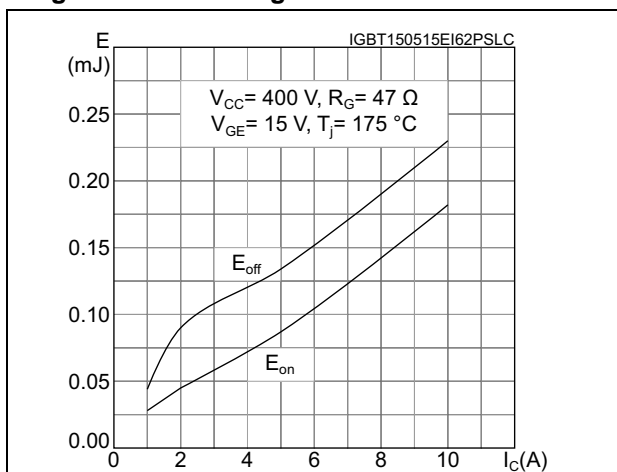


Figure 23. Switching loss vs gate resistance

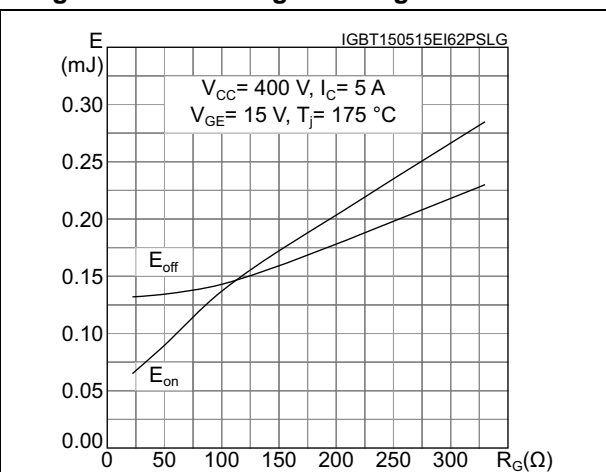


Figure 24. Switching loss vs temperature

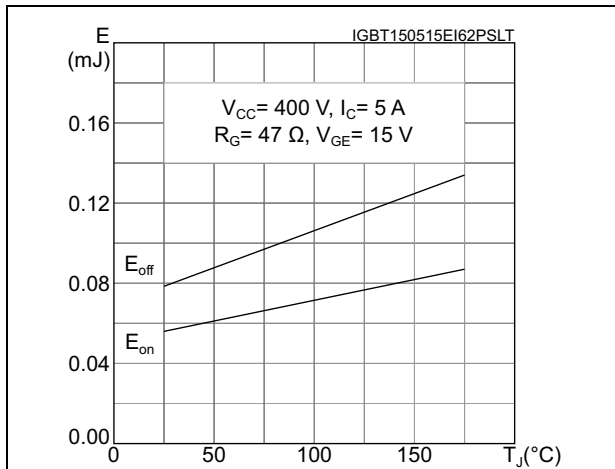


Figure 25. Switching loss vs collector-emitter voltage

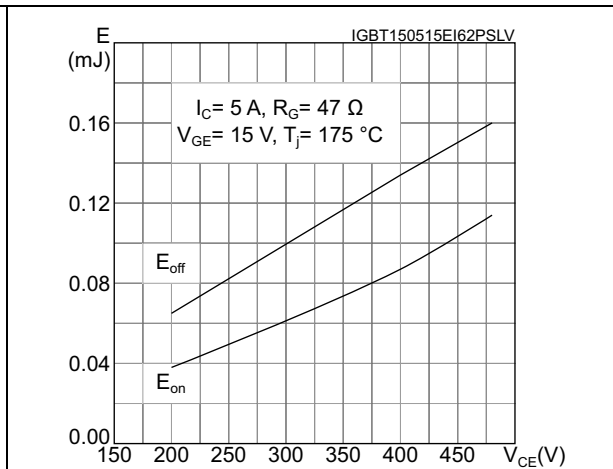


Figure 26. Short circuit time and current vs VGE

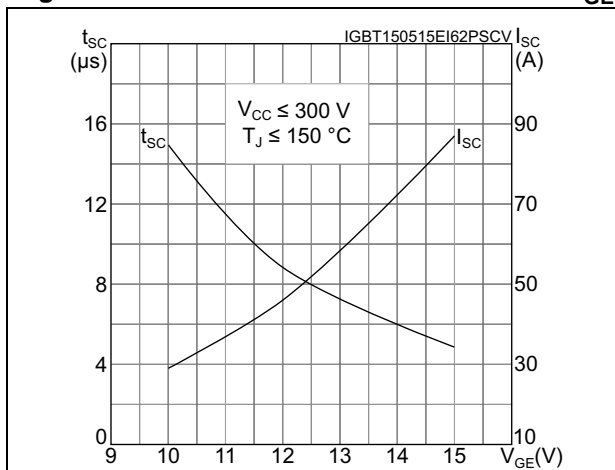


Figure 27. Switching times vs. collector current

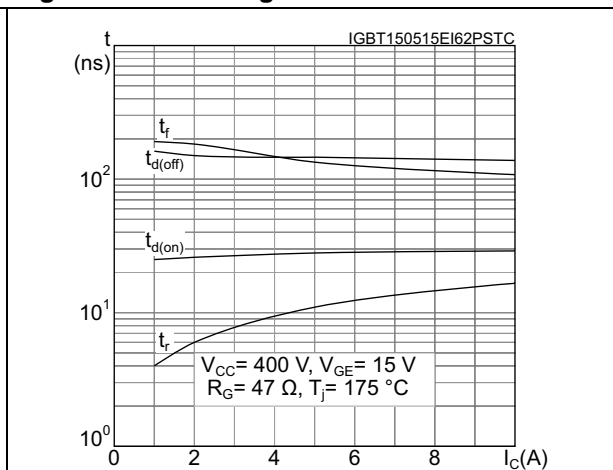


Figure 28. Switching times vs. gate resistance

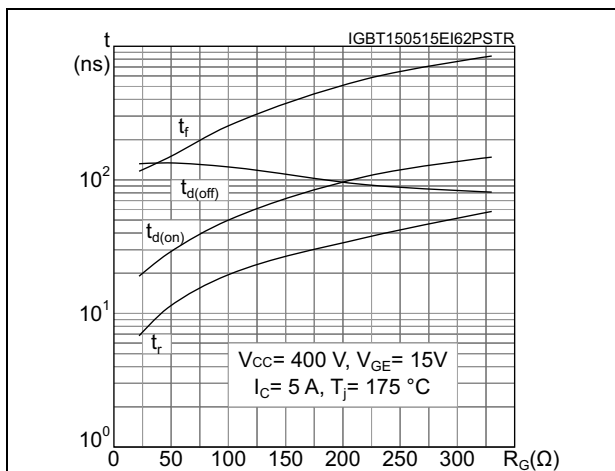


Figure 29. Reverse recovery current vs. diode current slope

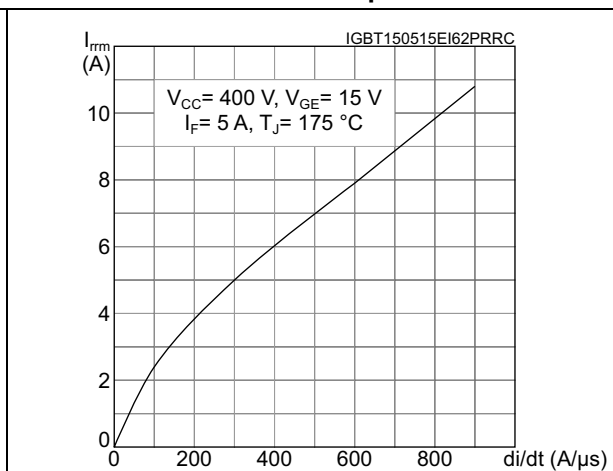


Figure 30. Reverse recovery time vs. diode current slope

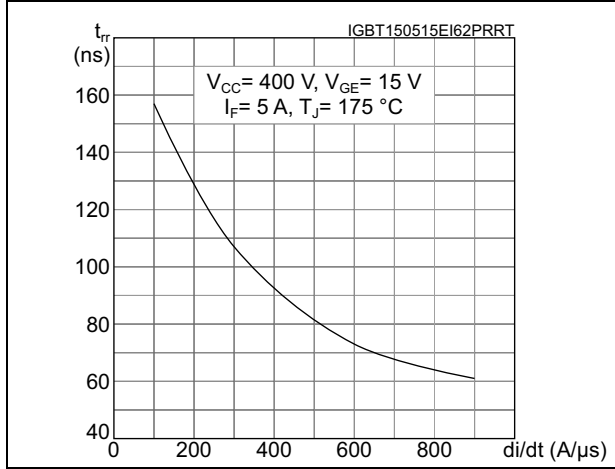


Figure 31. Reverse recovery charge vs. diode current slope

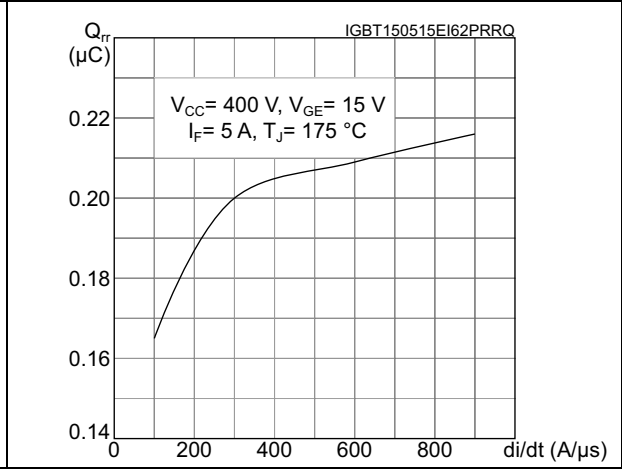


Figure 32. Reverse recovery energy vs. diode current slope

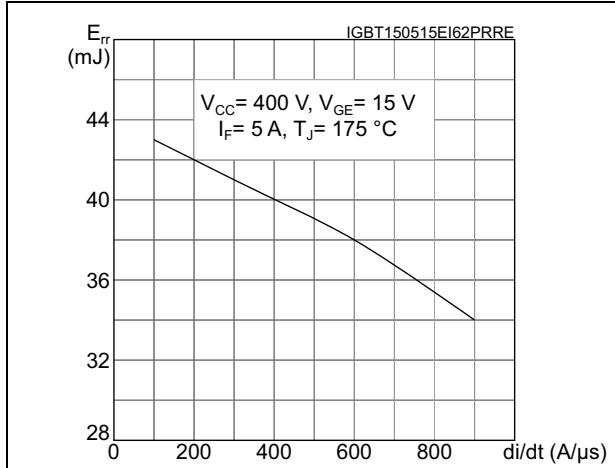


Figure 33. Thermal impedance for D²PAK, DPAK and TO-220 IGBT

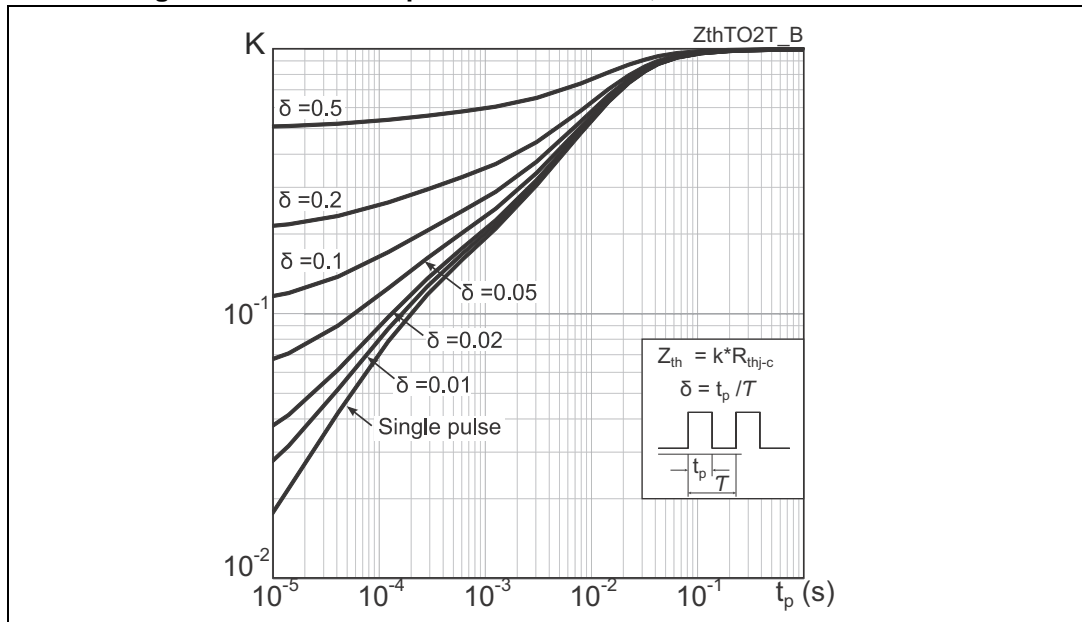


Figure 34. Thermal impedance for D²PAK, DPAK and TO-220 diode

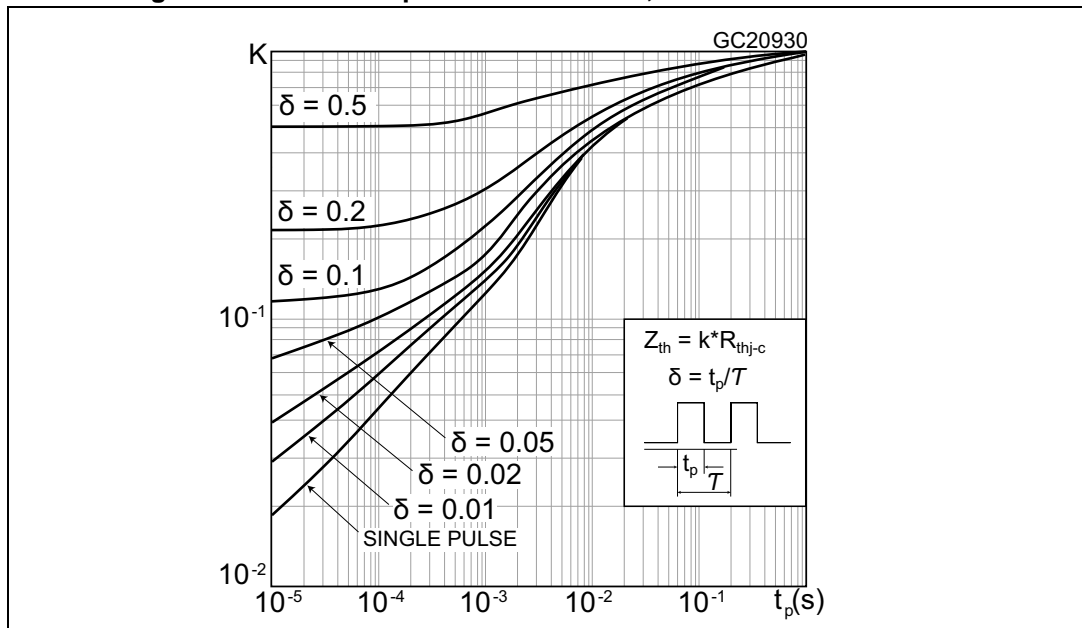


Figure 35. Thermal impedance for TO-220FP IGBT

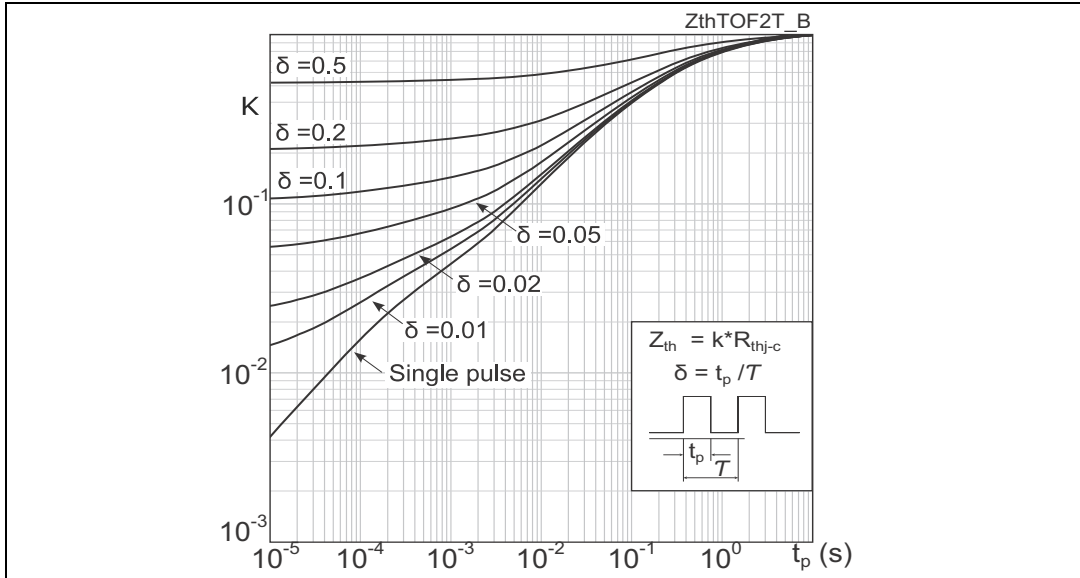
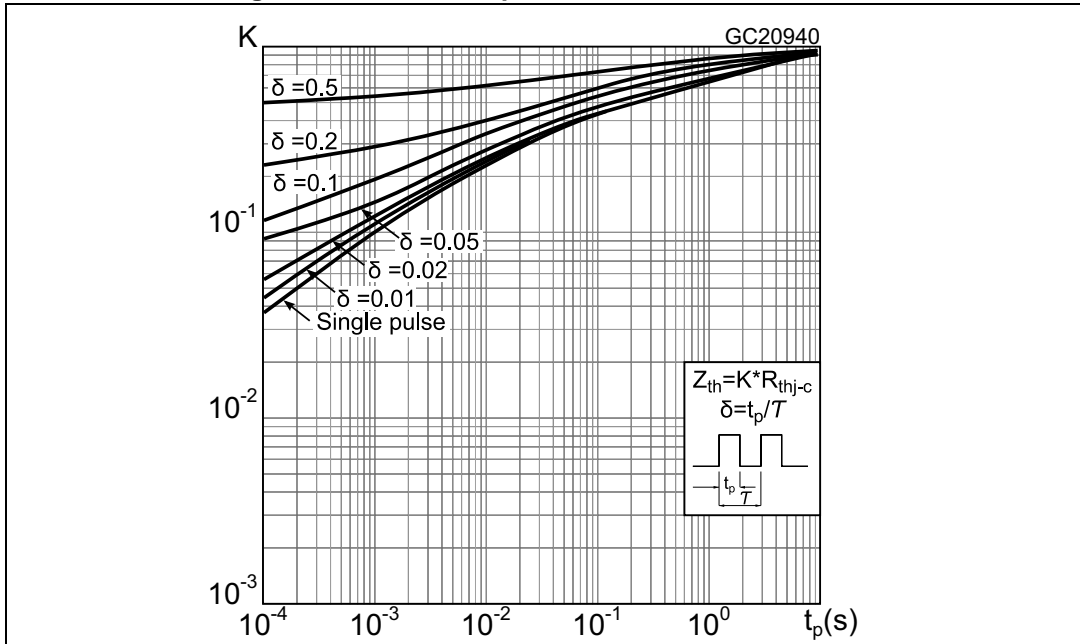


Figure 36. Thermal impedance for TO-220FP diode



3 Test circuits

Figure 37. Test circuit for inductive load switching

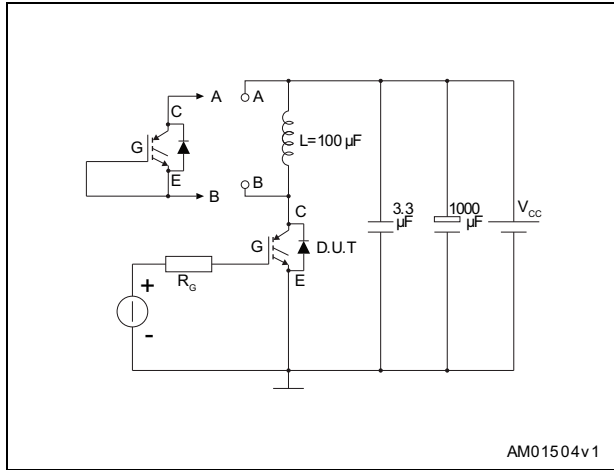


Figure 38. Gate charge test circuit

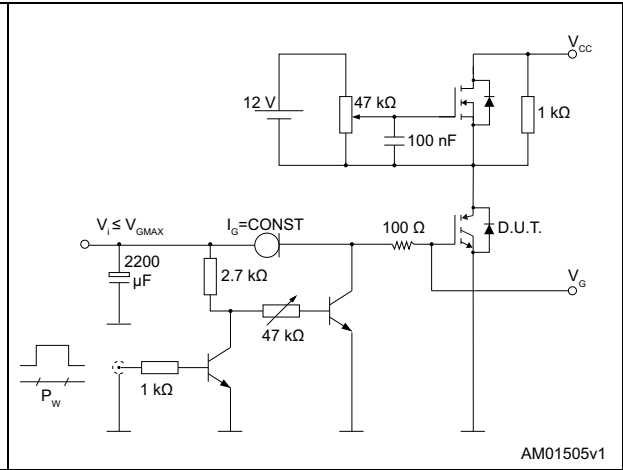


Figure 39. Switching waveform

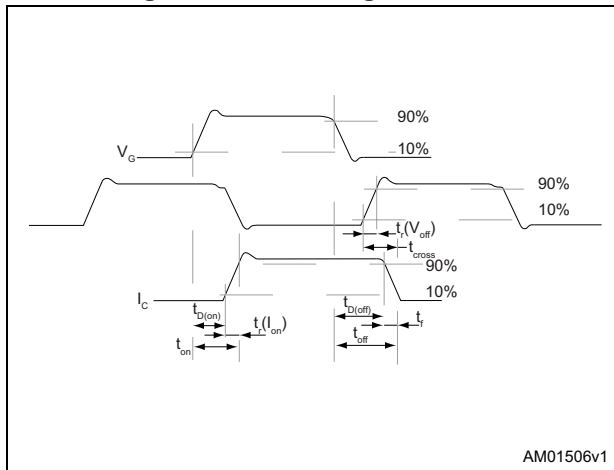
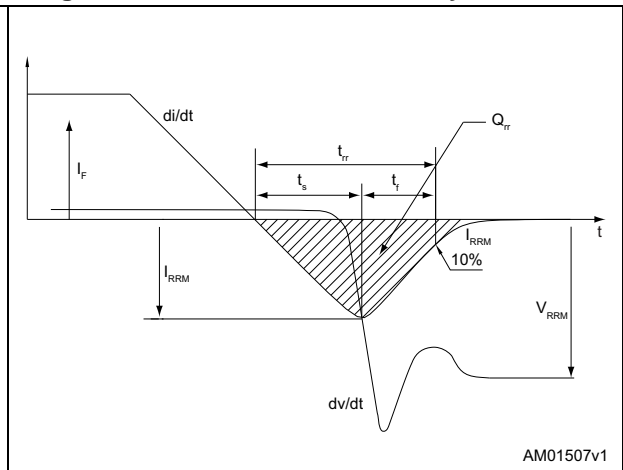


Figure 40. Diode reverse recovery waveform



4 Package information

In order to meet environmental requirements, ST offers these devices in different grades of ECOPACK® packages, depending on their level of environmental compliance. ECOPACK® specifications, grade definitions and product status are available at: www.st.com. ECOPACK is an ST trademark.

4.1 D²PAK package information

Figure 41. D²PAK (TO-263) package outline

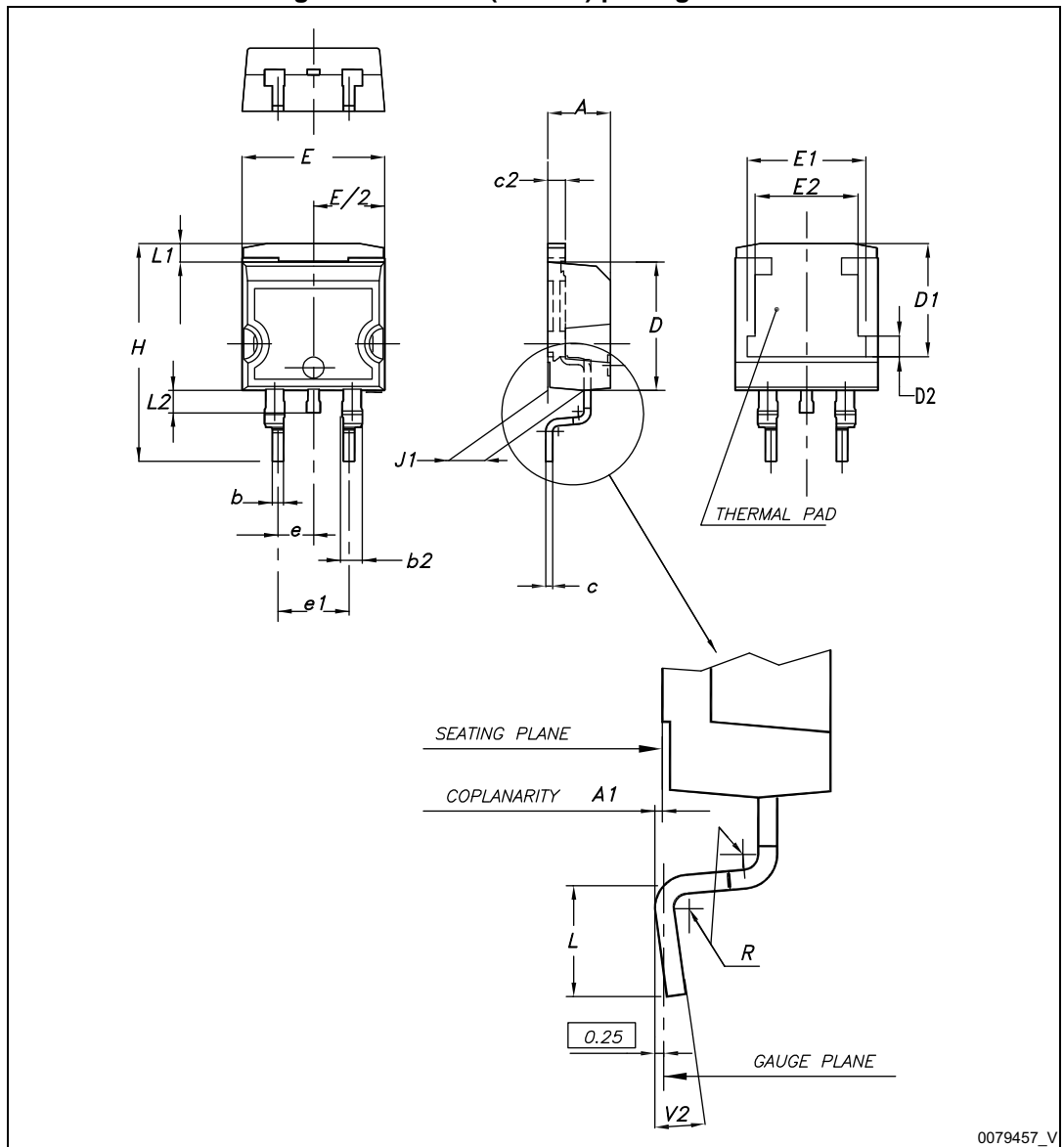
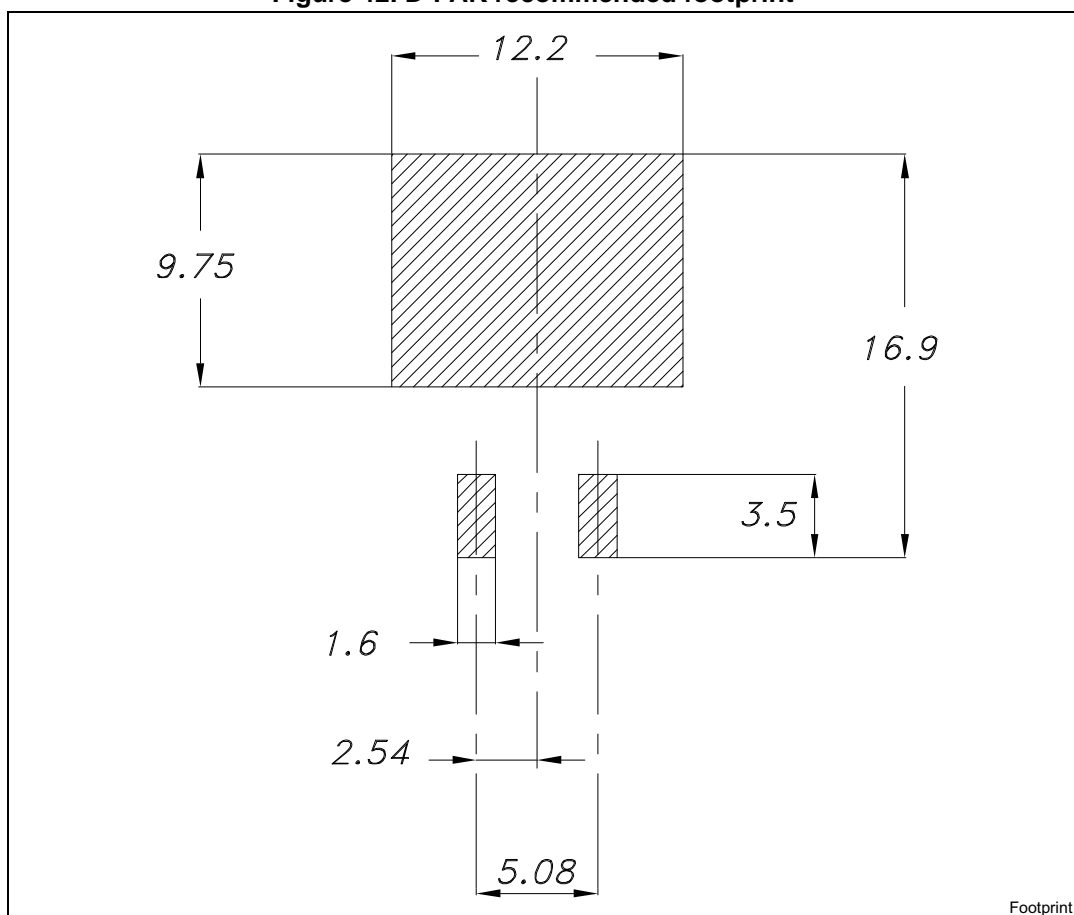


Table 9. D²PAK (TO-263) package mechanical data

Dim.	mm		
	Min.	Typ.	Max.
A	4.40		4.60
A1	0.03		0.23
b	0.70		0.93
b2	1.14		1.70
c	0.45		0.60
c2	1.23		1.36
D	8.95		9.35
D1	7.50	7.75	8.00
D2	1.10	1.30	1.50
E	10		10.40
E1	8.50	8.70	8.90
E2	6.85	7.05	7.25
e		2.54	
e1	4.88		5.28
H	15		15.85
J1	2.49		2.69
L	2.29		2.79
L1	1.27		1.40
L2	1.30		1.75
R		0.4	
V2	0°		8°

Figure 42. D²PAK recommended footprint^(a)



a. All dimension are in millimeters

4.2 DPAK package information

Figure 43. DPAK (TO-252) type A2 package outline

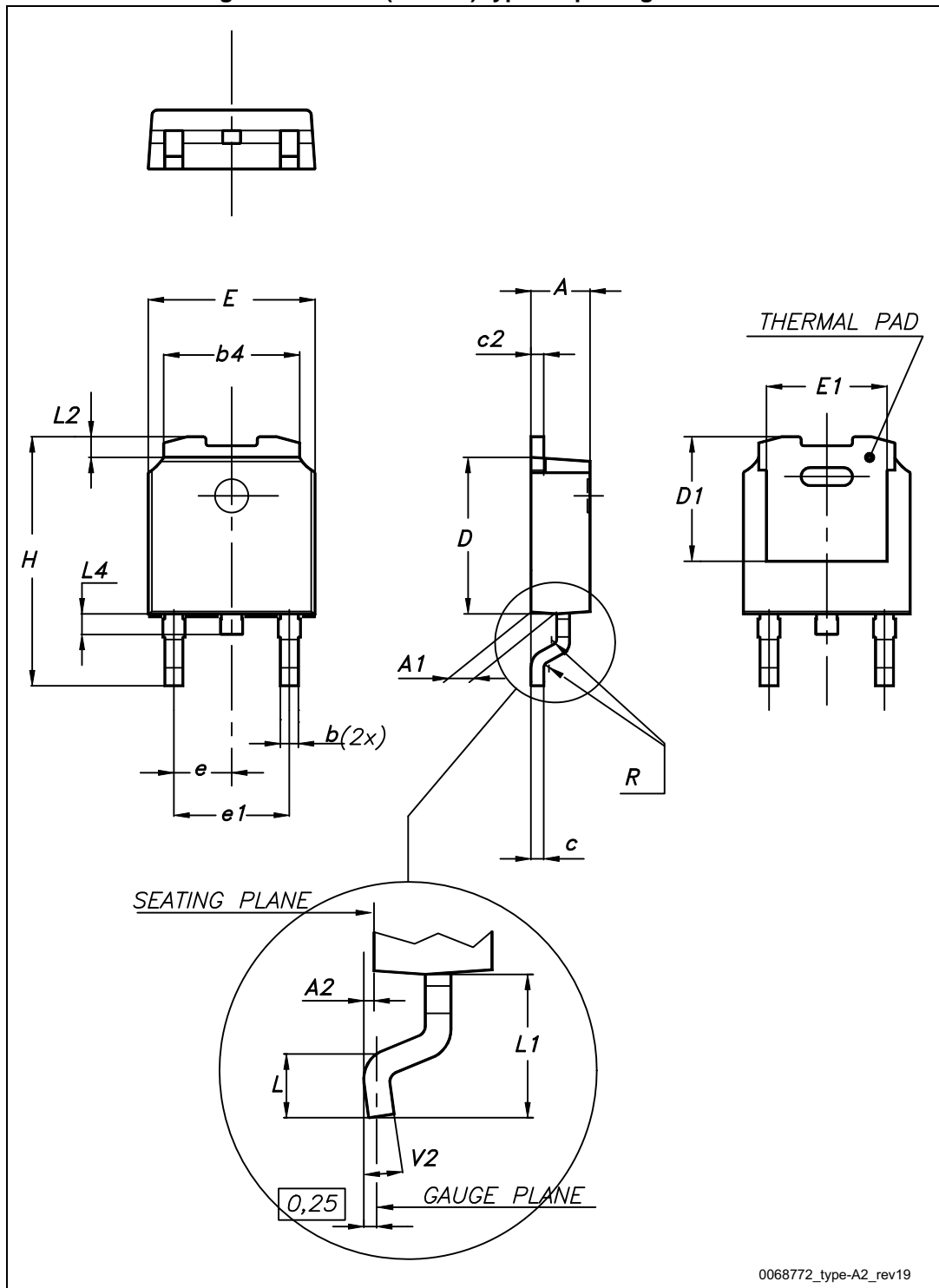
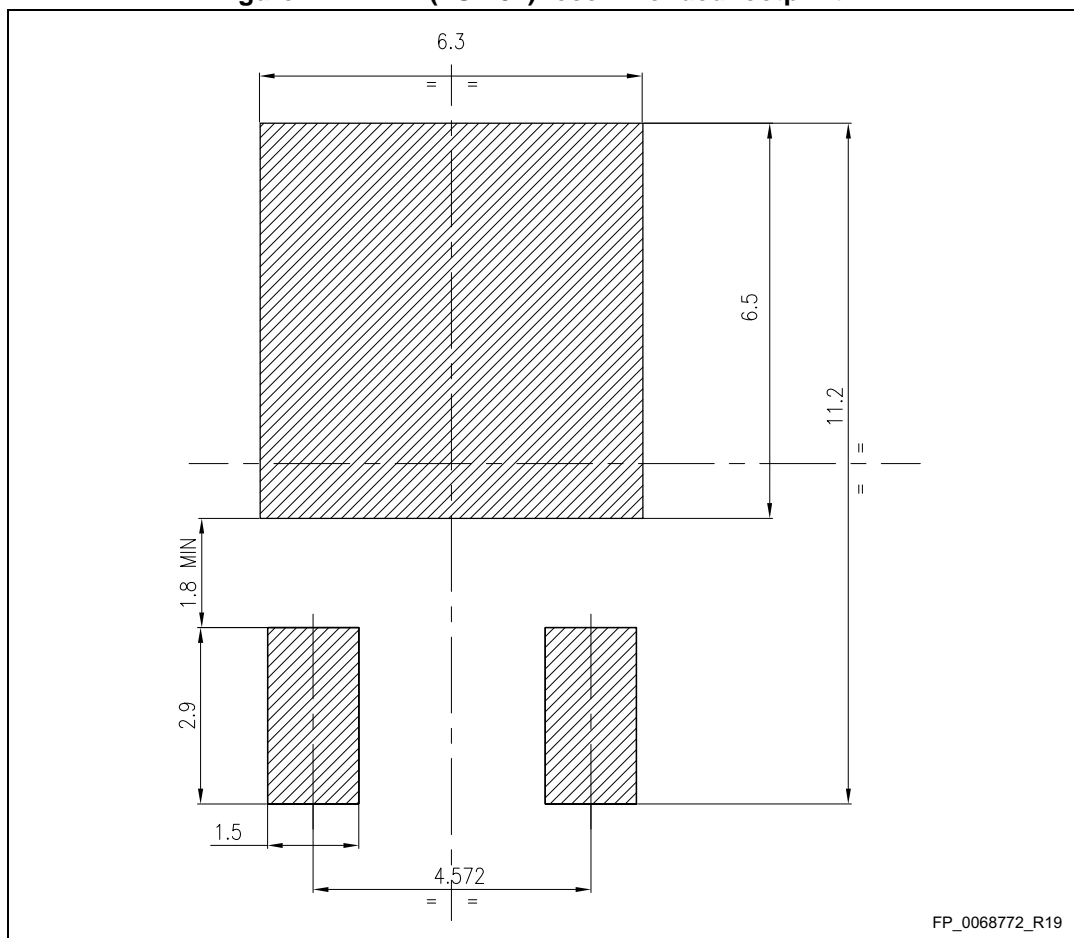


Table 10. DPAK (TO-252) type A2 package mechanical data

Dim.	mm		
	Min.	Typ.	Max.
A	2.20		2.40
A1	0.90		1.10
A2	0.03		0.23
b	0.64		0.90
b4	5.20		5.40
c	0.45		0.60
c2	0.48		0.60
D	6.00		6.20
D1	4.95	5.10	5.25
E	6.40		6.60
E1	5.10	5.20	5.30
e	2.16	2.28	2.40
e1	4.40		4.60
H	9.35		10.10
L	1.00		1.50
L1	2.60	2.80	3.00
L2	0.65	0.80	0.95
L4	0.60		1.00
R		0.20	
V2	0°		8°

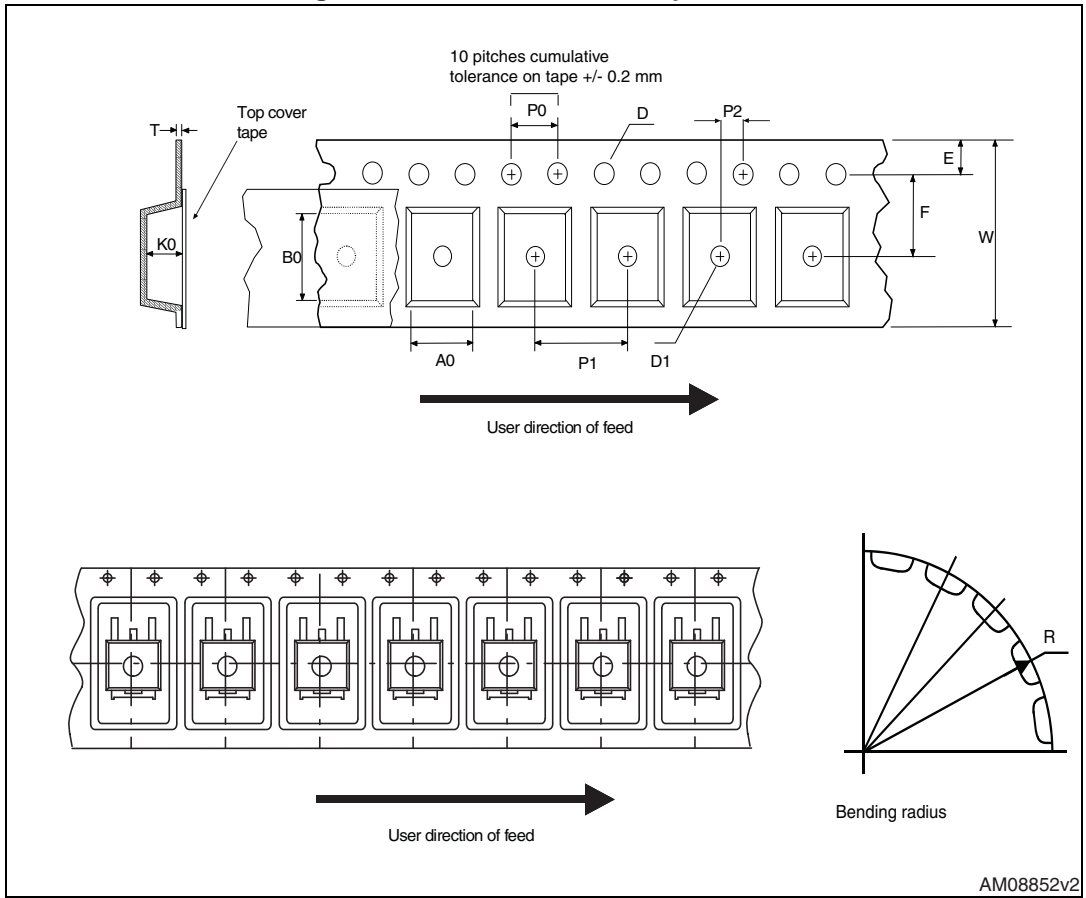
Figure 44. DPAK (TO-252) recommended footprint (b)



b. All dimensions are in millimeters

4.3 D²PAK and DPAK packing information

Figure 45. D²PAK and DPAK tape outline



AM08852v2

Figure 46. D²PAK and DPAK reel outline

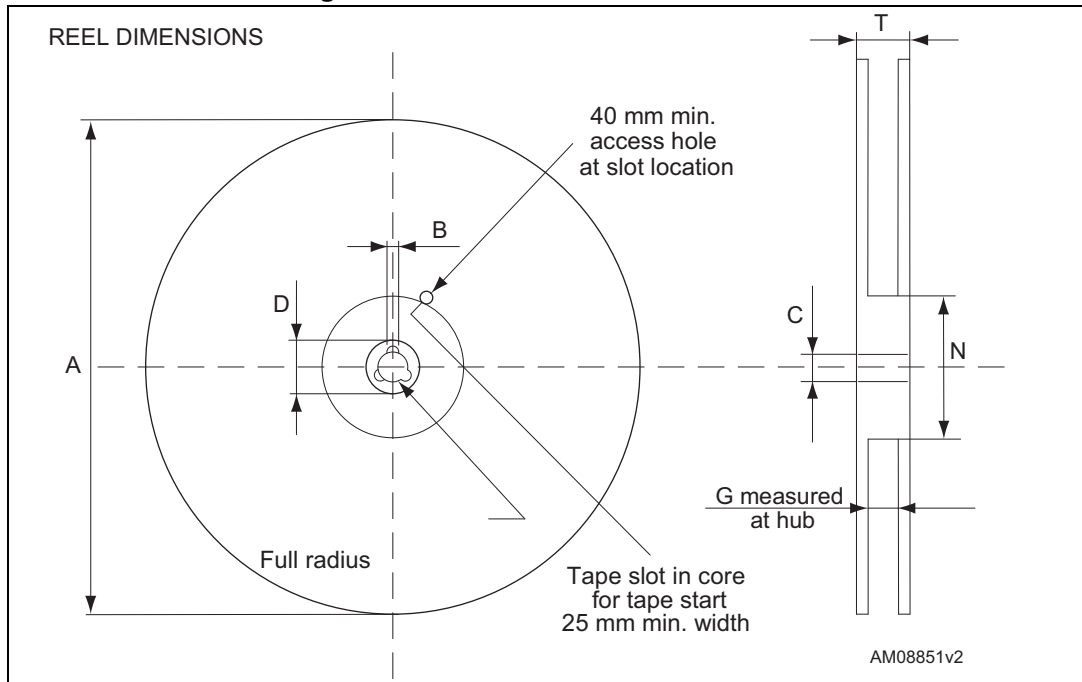


Table 11. D²PAK tape and reel mechanical data

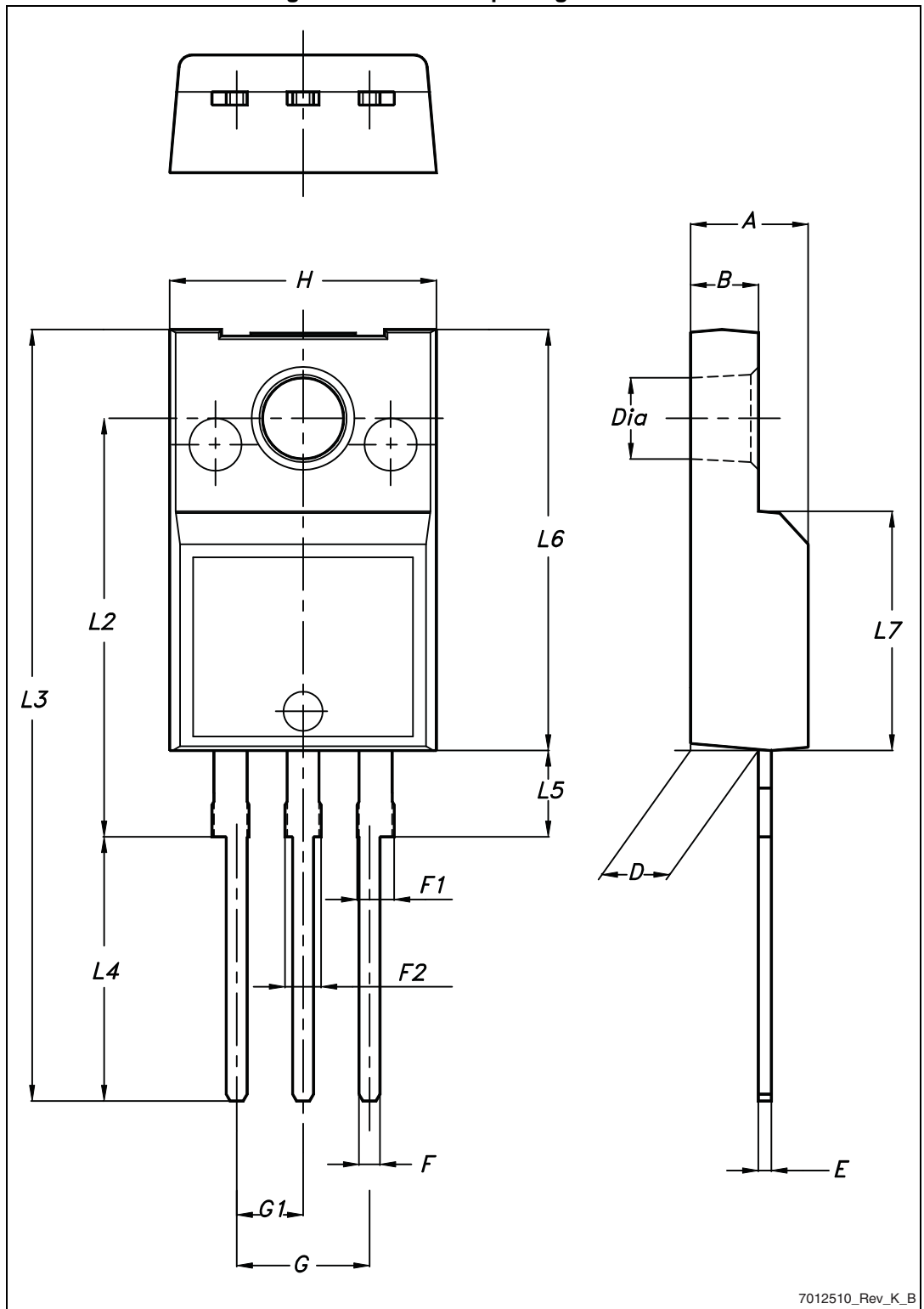
Tape			Reel		
Dim.	mm		Dim.	mm	
	Min.	Max.		Min.	Max.
A0	10.5	10.7	A		330
B0	15.7	15.9	B	1.5	
D	1.5	1.6	C	12.8	13.2
D1	1.59	1.61	D	20.2	
E	1.65	1.85	G	24.4	26.4
F	11.4	11.6	N	100	
K0	4.8	5.0	T		30.4
P0	3.9	4.1			
P1	11.9	12.1		Base qty	1000
P2	1.9	2.1		Bulk qty	1000
R	50				
T	0.25	0.35			
W	23.7	24.3			

Table 12. DPAK (TO-252) tape and reel mechanical data

Tape			Reel		
Dim.	mm		Dim.	mm	
	Min.	Max.		Min.	Max.
A0	6.8	7	A		330
B0	10.4	10.6	B	1.5	
B1		12.1	C	12.8	13.2
D	1.5	1.6	D	20.2	
D1	1.5		G	16.4	18.4
E	1.65	1.85	N	50	
F	7.4	7.6	T		22.4
K0	2.55	2.75			
P0	3.9	4.1	Base qty.		2500
P1	7.9	8.1	Bulk qty.		2500
P2	1.9	2.1			
R	40				
T	0.25	0.35			
W	15.7	16.3			

4.4 TO-220FP package information

Figure 47. TO-220FP package outline



7012510_Rev_K_B

Table 13. TO-220FP package mechanical data

Dim.	mm		
	Min.	Typ.	Max.
A	4.4		4.6
B	2.5		2.7
D	2.5		2.75
E	0.45		0.7
F	0.75		1
F1	1.15		1.70
F2	1.15		1.70
G	4.95		5.2
G1	2.4		2.7
H	10		10.4
L2		16	
L3	28.6		30.6
L4	9.8		10.6
L5	2.9		3.6
L6	15.9		16.4
L7	9		9.3
Dia	3		3.2

4.5 TO-220 package information

Figure 48. TO-220 type A package outline

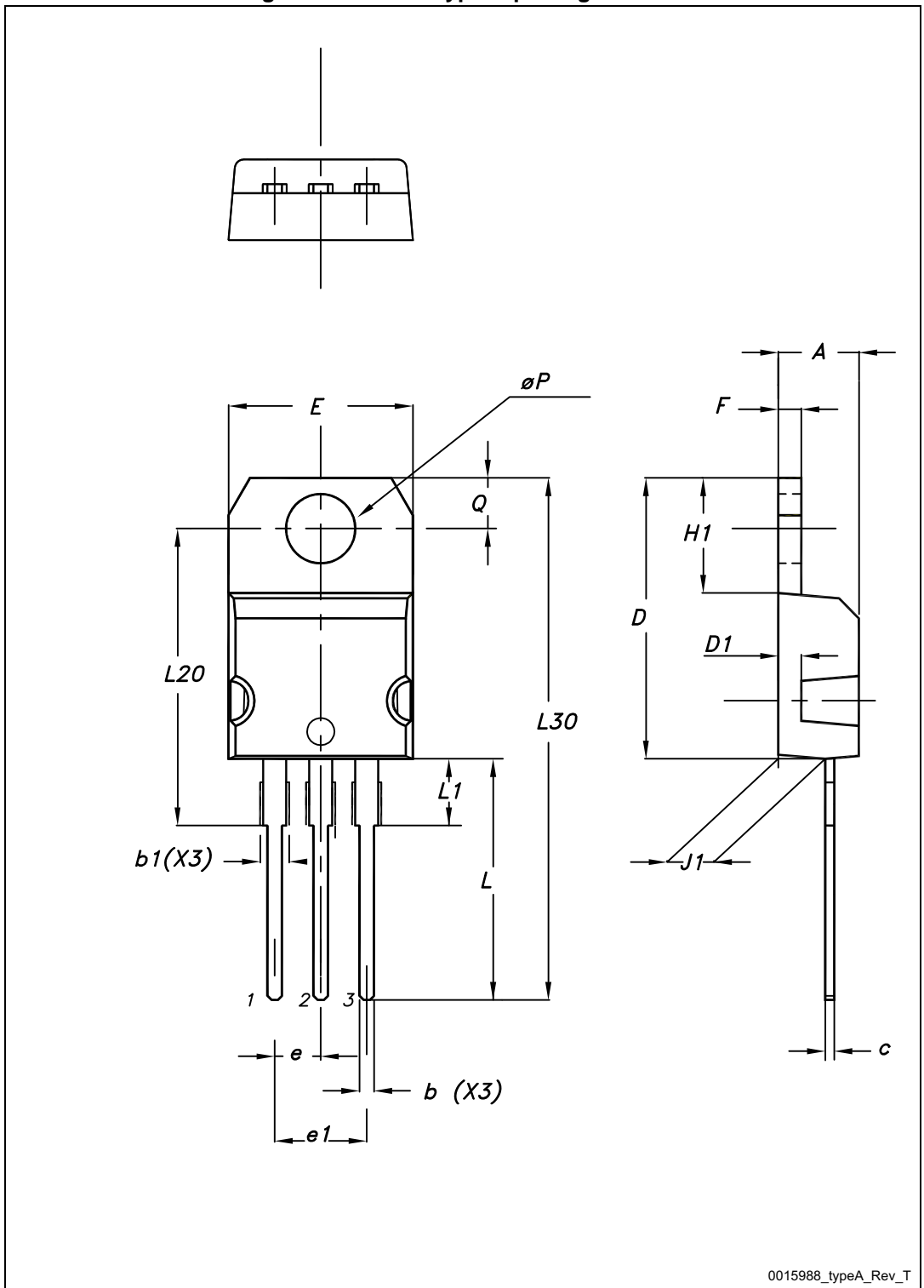


Table 14. TO-220 type A package mechanical data

Dim.	mm		
	Min.	Typ.	Max.
A	4.40		4.60
b	0.61		0.88
b1	1.14		1.70
c	0.48		0.70
D	15.25		15.75
D1		1.27	
E	10		10.40
e	2.40		2.70
e1	4.95		5.15
F	1.23		1.32
H1	6.20		6.60
J1	2.40		2.72
L	13		14
L1	3.50		3.93
L20		16.40	
L30		28.90	
ØP	3.75		3.85
Q	2.65		2.95

5 Revision history

Table 15. Document revision history

Date	Revision	Changes
28-Nov-2014	1	Initial release.
23-Feb-2015	2	Updated Section 2: Electrical characteristics and Section 4: Package information . Minor text changes.
18-May-2015	3	Text and formatting changes throughout document In Section 1: Electrical ratings : - updated Table 2 and Table 3 In Section 2: Electrical characteristics : - updated Table 4 , Table 5 , Table 6 , Table 7 and Table 8 Added Section 2.1: Electrical characteristics (curves) Updated Section 4.2: DPAK package information Document status promoted from “preliminary data” to “production data”

IMPORTANT NOTICE – PLEASE READ CAREFULLY

STMicroelectronics NV and its subsidiaries ("ST") reserve the right to make changes, corrections, enhancements, modifications, and improvements to ST products and/or to this document at any time without notice. Purchasers should obtain the latest relevant information on ST products before placing orders. ST products are sold pursuant to ST's terms and conditions of sale in place at the time of order acknowledgement.

Purchasers are solely responsible for the choice, selection, and use of ST products and ST assumes no liability for application assistance or the design of Purchasers' products.

No license, express or implied, to any intellectual property right is granted by ST herein.

Resale of ST products with provisions different from the information set forth herein shall void any warranty granted by ST for such product.

ST and the ST logo are trademarks of ST. All other product or service names are the property of their respective owners.

Information in this document supersedes and replaces information previously supplied in any prior versions of this document.

© 2015 STMicroelectronics – All rights reserved

Mouser Electronics

Authorized Distributor

Click to View Pricing, Inventory, Delivery & Lifecycle Information:

[STMicroelectronics:](#)

[STGP5H60DF](#) [STGF5H60DF](#) [STGB5H60DF](#) [STGD5H60DF](#)