

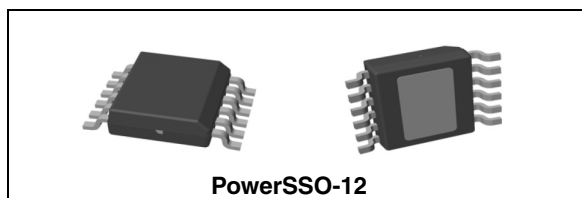
Dual high side smart power solid state relay

Features

Type	V _{demag} ⁽¹⁾	R _{DSon} ⁽¹⁾	I _{out} ⁽¹⁾	V _{CC}
VNI2140J	V _{CC} -45 V	0.08 Ω	1 A ⁽²⁾	45 V

1. Per channel
2. Current limitation

- Nominal current: 0.5 A per channel
- Shorted load protections
- Junction overtemperature protection
- Case overtemperature protection for thermal independence of the channels
- Thermal case shutdown restart not simultaneous for the various channels
- Protection against loss of ground
- Current limitation 1 A per channel
- Undervoltage shutdown
- Open load in off-state and short to V_{CC} detection
- Open-drain diagnostic outputs
- 3.3 V CMOS/TTL compatible inputs
- Fast demagnetization of inductive loads
- Conforms to IEC 61131-2



Description

The VNI2140J is a monolithic device designed using STMicroelectronics' VIPower technology. The device drives two independent resistive or inductive loads with one side connected to ground. Active current limitation prevents a drop in system power supply in cases of shorted-load, and built-in thermal shutdown protects the chip from damage due to over-temperature and short-circuit. In overload conditions, channel turns OFF and ON automatically to maintain the junction temperature between TTSD and TR. If the case temperature reaches TCSD, the overloaded channel is turned OFF and restarts only when case temperature decreases down to TCR. In order to avoid high-peak current from the supply, when more than one channel is overloaded the TCSD restart is not simultaneous. Non overloaded channels continue to operate normally. The open-drain diagnostics output indicates over-temperature conditions and open-load in off state.

Table 1. Device summary

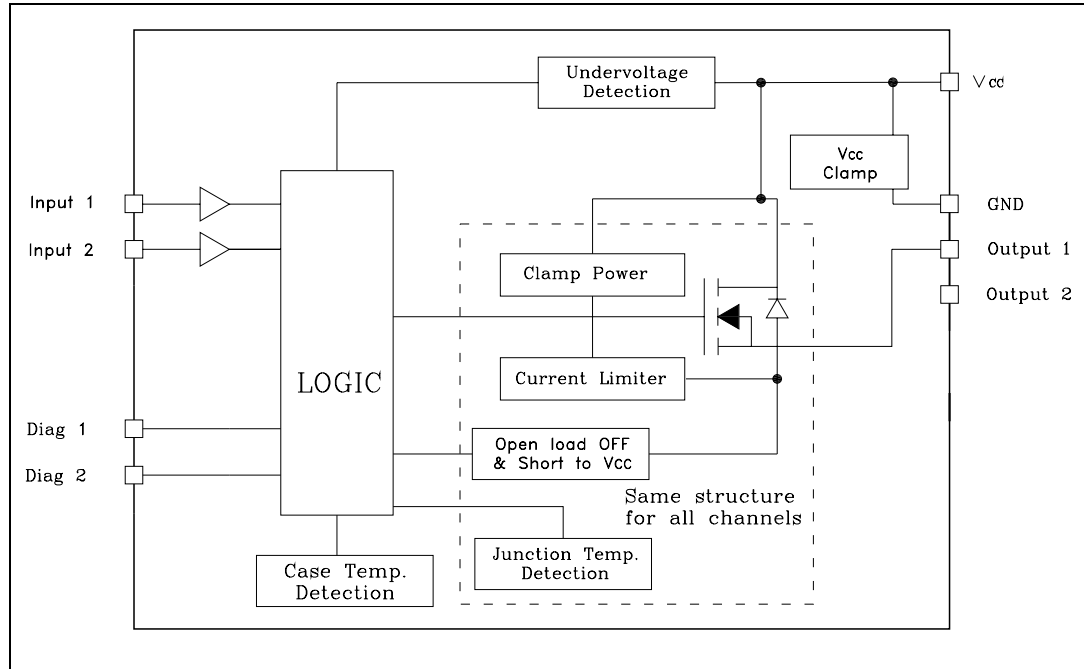
Order codes	Package	Packaging
VNI2140J	PowerSSO-12	Tube
VNI2140JTR		Tape and reel

Contents

1	Block diagram	3
2	Pin connections	4
3	Maximum ratings	5
	3.1 Thermal data	5
4	Electrical characteristics	6
5	Truth table	9
6	Switching waveforms	10
7	Open load	13
8	Package and PCB thermal data	15
9	Reverse polarity protection	17
10	Package mechanical data	18
11	Revision history	22

1 Block diagram

Figure 1. Block diagram



2 Pin connections

Figure 2. Pin connections (top view)

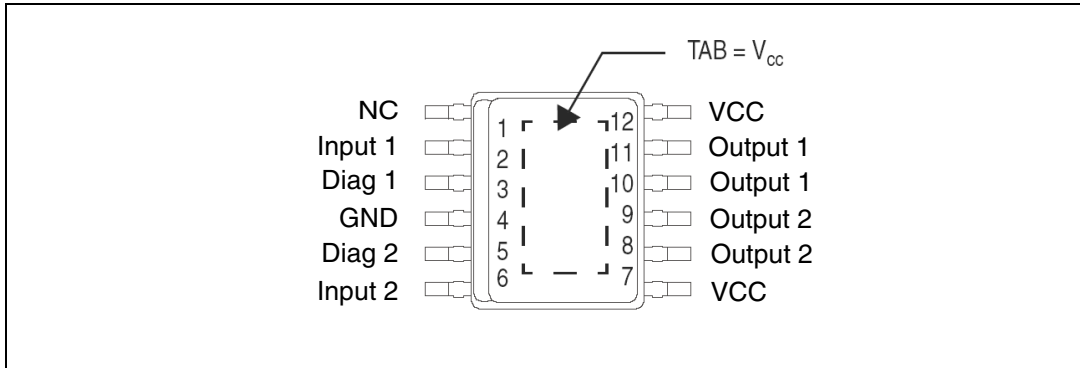


Table 2. Pin description

n°	Name	Description
1	NC	Not connected
2	Input 1	Channel 1 input 3.3 V CMOS/TTL compatible
3	Diag 1	Channel 1 diagnostic in open-drain configuration
4	GND	Device ground connection
5	Diag 2	Channel 2 diagnostic in open-drain configuration
6	Input 2	Channel 2 input 3.3 V CMOS/TTL compatible
7	VCC	Supply voltage
8	Output 2	Channel 2 power stage output, internally protected
9	Output 2	Channel 2 power stage output, internally protected
10	Output 1	Channel 1 power stage output, internally protected
11	Output 1	Channel 1 power stage output, internally protected
12	VCC	Supply voltage
TAB	TAB	Supply voltage

3 Maximum ratings

Table 3. Absolute maximum ratings

Symbol	Parameter	Value	Unit
V_{CC}	Power supply voltage	45	V
$-V_{CC}$	Reverse supply voltage	-0.3	V
I_{GND}	DC ground reverse current	-250	mA
I_{OUT}	Output current (continuous)	Internally limited	A
I_R	Reverse output current (per channel)	-5	A
I_{IN}	Input current (per channel)	± 10	mA
V_{IN}	Input voltage	$+V_{CC}$	V
V_{DIAG}	Diag pin voltage	$+V_{CC}$	V
I_{DIAG}	Diag pin current	± 10	mA
V_{ESD}	Electrostatic discharge (R = 1.5 k Ω ; C = 100 pF)	2000	V
E_{AS}	Single pulse avalanche energy per channel not simultaneously	300	mJ
P_{TOT}	Power dissipation at $T_c = 25\text{ }^\circ\text{C}$	Internally limited	W
T_J	Junction operating temperature	Internally limited	$^\circ\text{C}$
T_{STG}	Storage temperature	-55 to 150	$^\circ\text{C}$

3.1 Thermal data

Table 4. Thermal data

Symbol	Parameter	Value	Unit
$R_{th(JC)}$	Thermal resistance junction-case ⁽¹⁾	Max 1	$^\circ\text{C/W}$
$R_{th(JA)}$	Thermal resistance junction-ambient ⁽²⁾	Max See Figure 11 on page 15	$^\circ\text{C/W}$

1. Per channel

2. When mounted using minimum recommended pad size on FR-4 board

4 Electrical characteristics

9 V < V_{CC} < 36 V; -40 °C < T_J < 125 °C; unless otherwise specified

Table 5. Power section

Symbol	Parameter	Test conditions	Min.	Typ.	Max.	Unit
V _{CC}	Supply voltage		9		45	V
R _{DS(ON)}	On-state resistance	I _{OUT} = 0.5 A at T _J = 25 °C I _{OUT} = 0.5 A		0.080	0.150	Ω Ω
V _{CLAMP}	Clamp voltage	I _S = 20 mA	45		52	V
I _S	Supply current	All channel in off-state On-state with V _{IN} = 5 V (T _J = 125 °C)		300 1.9	4	μA mA
I _{LGND}	Output current at turn-off	V _{CC} = V _{DIAG} = V _{IN} = V _{GND} = 24 V, V _{OUT} = 0 V			1	mA
V _{OUT(OFF)}	Off-state output voltage	V _{IN} = 0 V and I _{OUT} = 0 A			3	V
I _{OUT(OFF)}	OFF-state output current	V _{IN} = V _{OUT} = 0 V	0		5	μA
I _{OUT(OFF1)}		V _{IN} = 0 V; V _{OUT} = 4 V	-35		0	μA

V_{CC} = 24

Table 6. Switching

Symbol	Parameter	Test conditions	Min.	Typ.	Max.	Unit
t _{d(ON)}	Turn-on delay time of output current	I _{OUT} = 0.5 A, resistive load Input rise time < 0.1 μs, T _J = 25 °C	-	20	-	μs
t _r	Rise time of output current	I _{OUT} = 0.5 A, resistive load Input rise time < 0.1 μs, T _J = 25 °C	-	10	-	μs
t _{d(OFF)}	Turn-off delay time of output current	I _{OUT} = 0.5 A, resistive load Input rise time < 0.1 μs, T _J = 25 °C	-	30	-	μs
t _f	Fall time of output current	I _{OUT} = 0.5 A, resistive load Input rise time < 0.1 μs, T _J = 25 °C	-	8	-	μs
t _{DOL}	Delay time for open load detection		-	500	-	μs
dV/dt(ON)	Turn ON voltage slope		-	3	-	V/μS
dV/dt(off)	Turn OFF voltage slope		-	4	-	V/μS

Table 7. Logical input

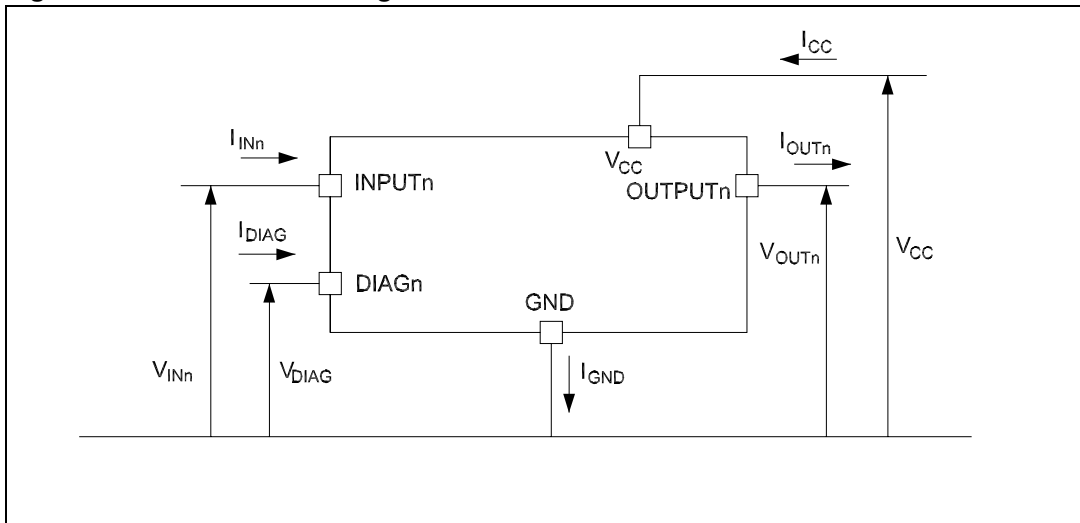
Symbol	Parameter	Test conditions	Min.	Typ.	Max.	Unit
V_{IL}	Input low level voltage				0.8	V
V_{IH}	Input high level voltage		2.20			V
$V_{I(HYST)}$	Input hysteresis voltage			0.15		V
I_{IN}	Input current	$V_{IN} = 15\text{ V}$			10	μA
		$V_{IN} = 36\text{ V}$			210	

Table 8. Protection and diagnostic

Symbol	Parameter	Test conditions	Min.	Typ.	Max.	Unit
$V_{DIAG}^{(1)}$	Diag voltage output low	$I_{DIAG} = 1.5\text{ mA}$ (fault condition)			0.6	V
V_{USD}	Undervoltage protection		7		9	V
V_{USDHYS}	Undervoltage hysteresis		0.4	0.5		V
I_{LIM}	DC short circuit current	$V_{CC} = 24\text{ V}; R_{LOAD} < 10\text{ m}\Omega$	1		2	A
I_{LDIAG}	Diag leakage current	$V_{CC} = 32\text{ V}$		30		μA
V_{OL}	Open-load off-state voltage detection threshold	$V_{IN} = 0\text{ V}$	2	3	4	V
T_{TSD}	Junction shutdown temperature		150	170		$^{\circ}\text{C}$
T_R	Junction reset temperature		135	155	200	$^{\circ}\text{C}$
T_{HIST}	Junction thermal hysteresis		7	15		$^{\circ}\text{C}$
T_{CSD}	Case shutdown temperature		125	130	135	$^{\circ}\text{C}$
T_{CR}	Case reset temperature		110			$^{\circ}\text{C}$
T_{CHYST}	Case thermal hysteresis		7	15		$^{\circ}\text{C}$
V_{demag}	Output voltage at turn-OFF	$I_{OUT} = 0.5\text{ A}; L_{LOAD} \geq 1\text{ mH}$	$V_{CC} - 45$	$V_{CC} - 50$	$V_{CC} - 52$	V

1. Diag determination > 100 ms after the switching edge.

Figure 3. Current and voltage conventions



5 Truth table

Table 9. Truth table

	INPUTn	OUTPUTn	DIAGn
Normal operation	L	L	H
	H	H	H
Overtemperature	L	L	H
	H	L	L
Undervoltage	L	L	X
	H	L	X
Shorted load (Current limitation)	L	L	H
	H	X	H
Output voltage > V _{OL}	L	Z ⁽¹⁾	L
	H	H	H
Short to V _{CC}	L	H	L
	H	H	H

1. Z = Depending on the external circuit

6 Switching waveforms

Figure 4. Switching waveforms

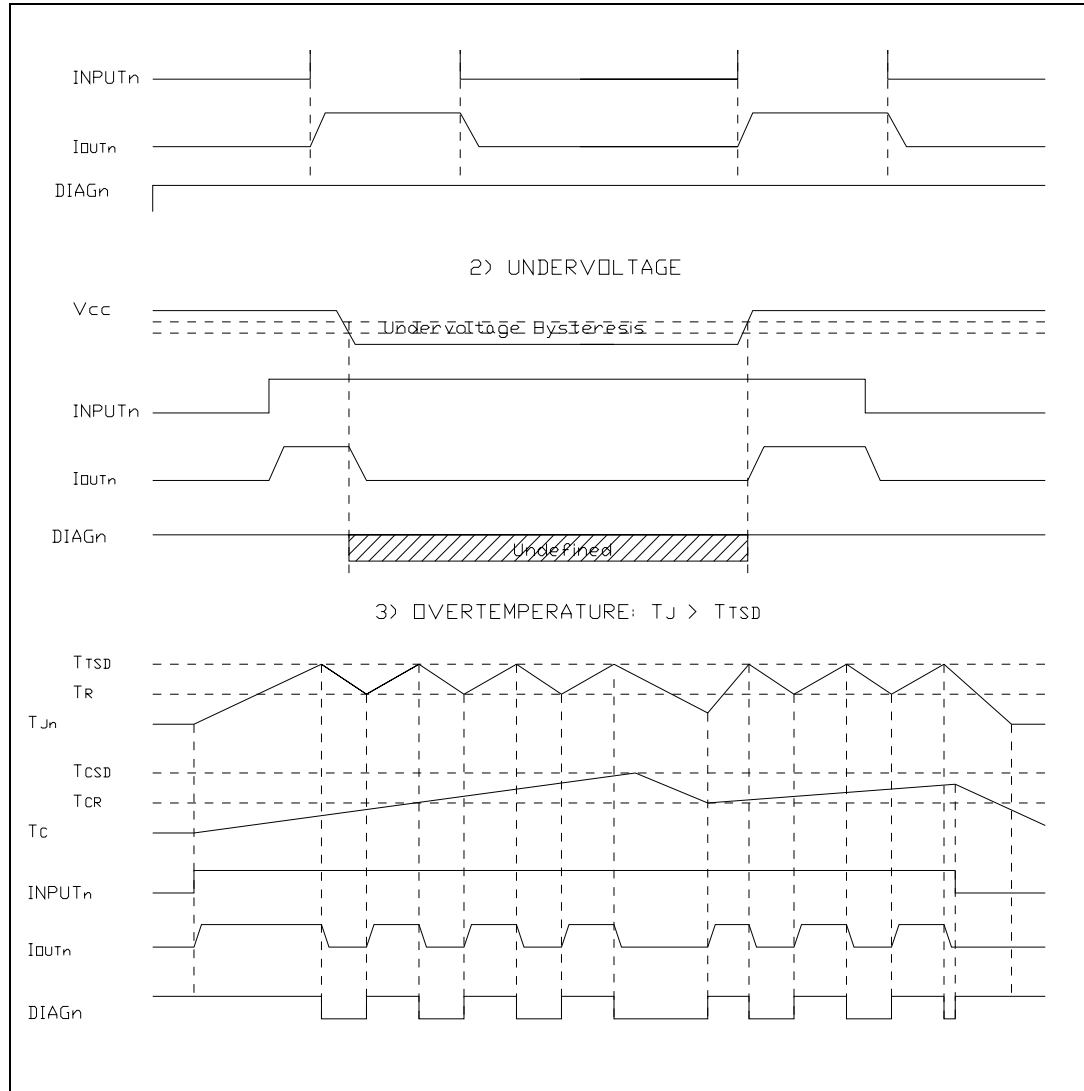


Figure 5. Switching waveforms (continued)

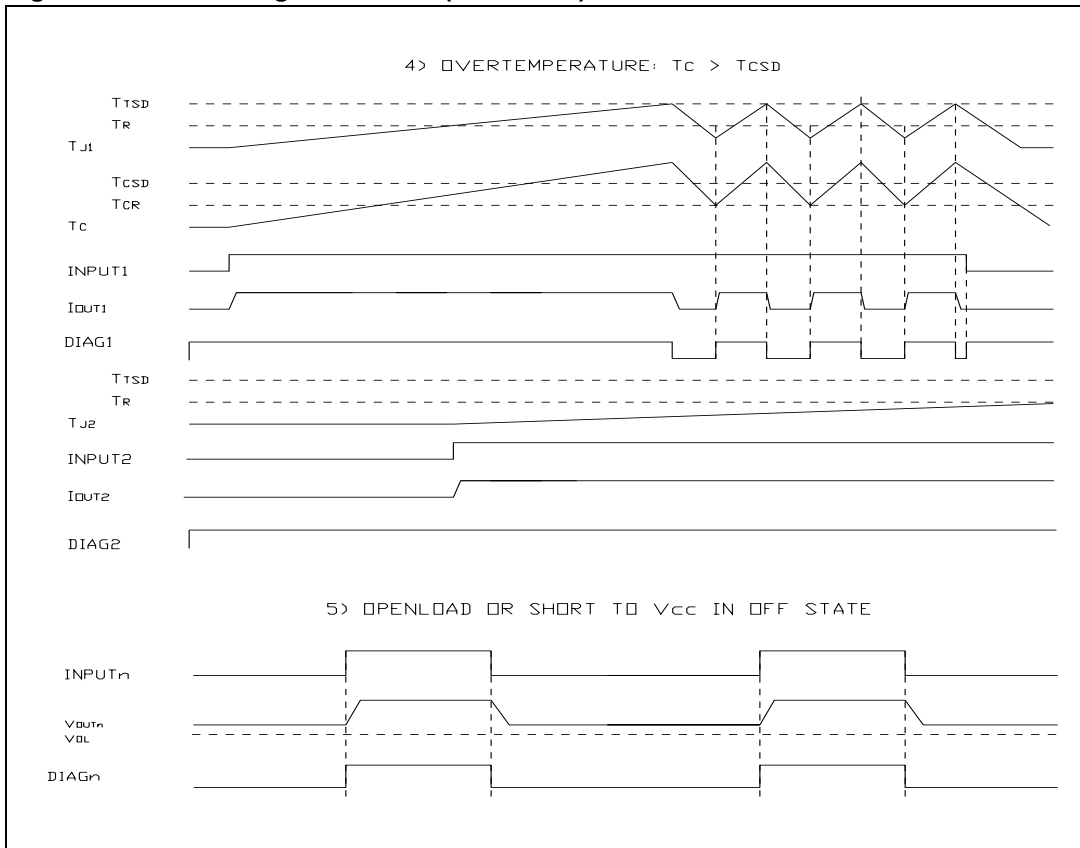


Figure 6. Switching parameter test conditions

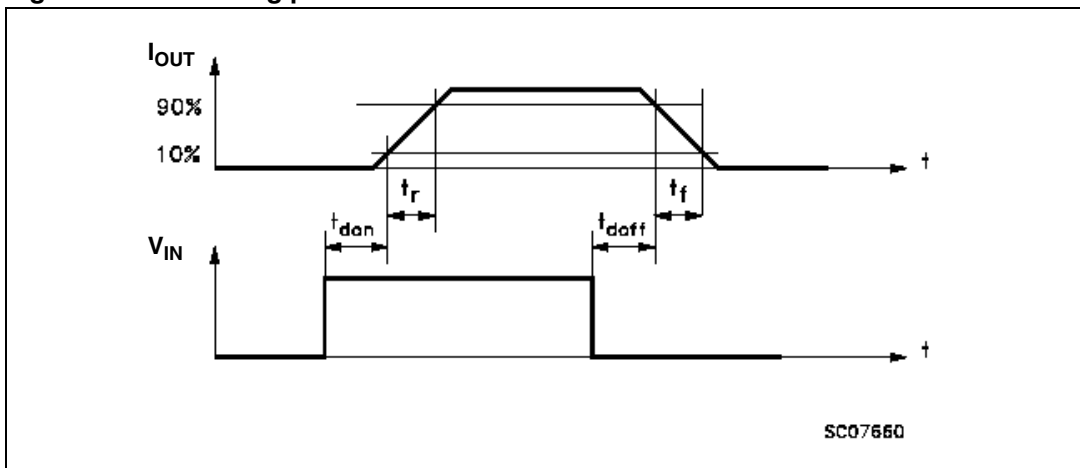
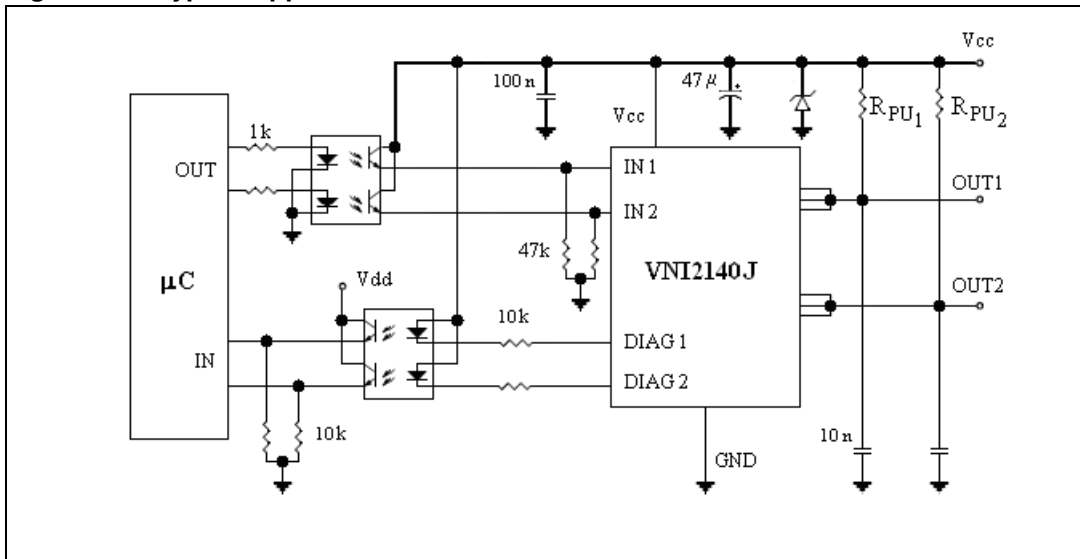


Figure 7. Typical application circuit



7 Open load

In order to detect the open load fault a pull-up resistor must be connected between the V_{CC} line and the output pin.

In a normal condition a current flows through the network made up of a pull-up resistor and a load. The voltage across the load is less than V_{OLMIN} ; so the diag pin is kept high.

This is the result in the condition:

Equation 1

$$V_{CC} \frac{R_{LOAD}}{R_{LOAD} + R_{PU}} < V_{OLMIN}$$

or

Equation 2

$$\left(\frac{V_{CC}}{V_{OLMIN}} - 1 \right) \cdot R_{LOAD} < R_{PU}$$

When a open load event occurs the voltage on the output pin rises to a value higher than V_{OLMAX} (depending on the pull-up resistor). The diag pin will go down.

This result in the condition:

Equation 3

$$R_{PU} < \frac{V_{CC} - V_{OLMAX}}{|I_{OUT(OFF1)MIN}|}$$

Figure 8. Open load detection

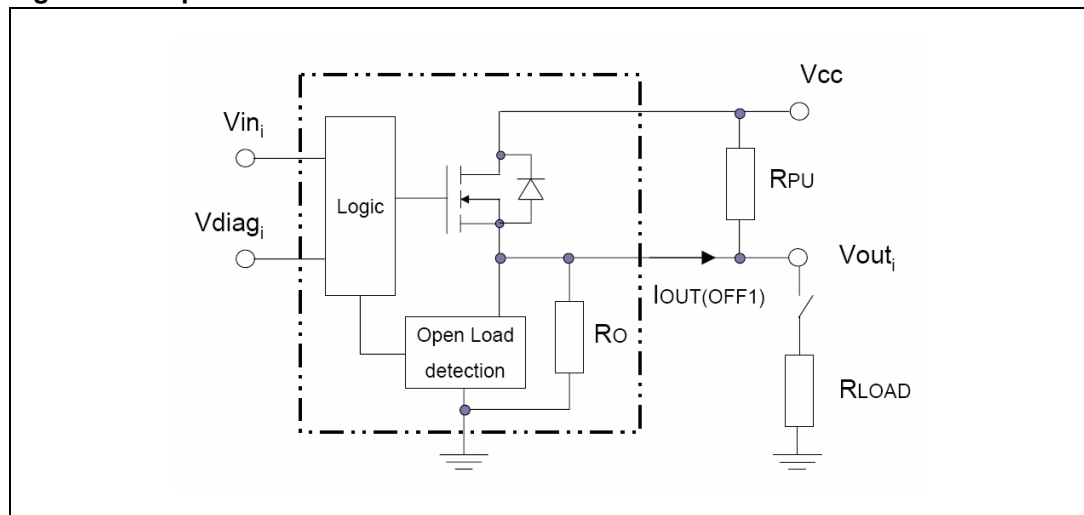
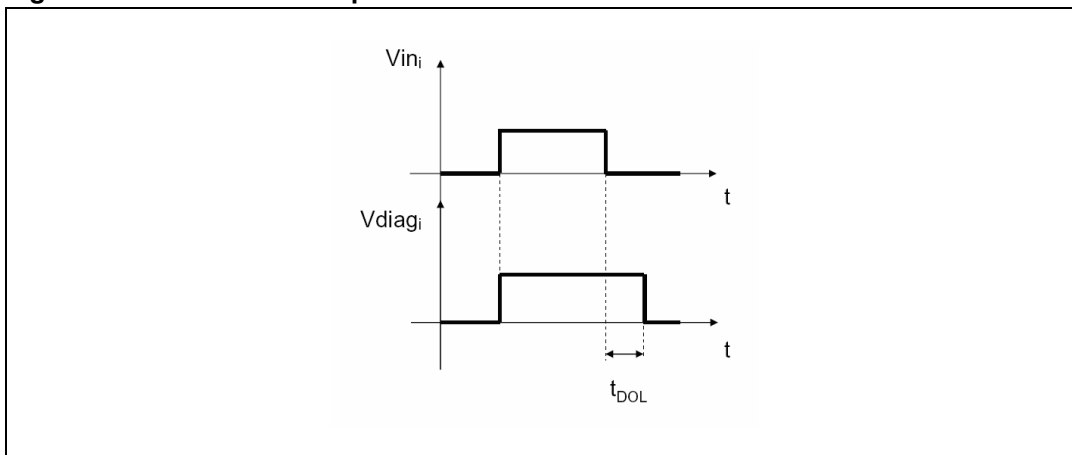


Figure 9. Turn on/off to open load



8 Package and PCB thermal data

Figure 10. PowerSSO-12 PC board

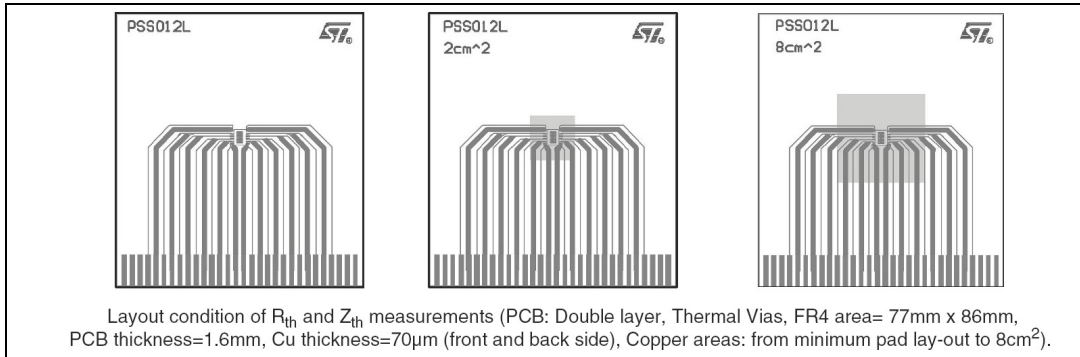


Figure 11. R_{thJA} vs PCB copper area in open box free air condition

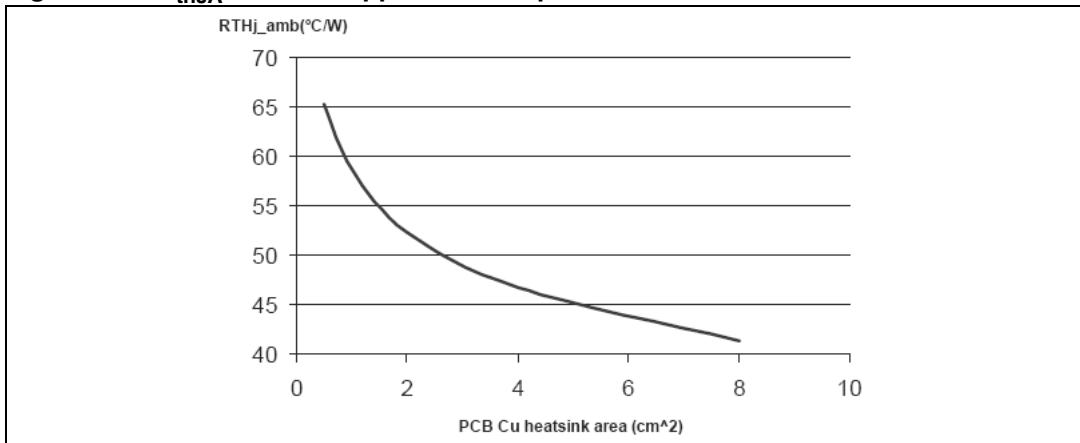
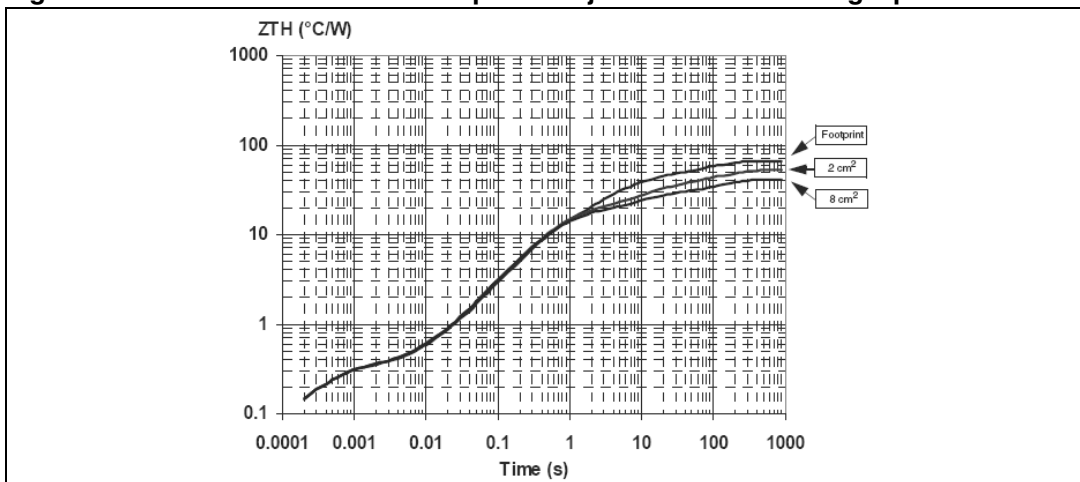


Figure 12. PowerSSO-12 thermal Impedance junction ambient single pulse



Pulse calculation formula

Equation 4

$$Z_{TH\delta} = R_{TH} \times \delta + Z_{THtp} (1 - \delta)$$

where $\delta = t_p/T$

Figure 13. Thermal fitting model of a double channel HSD in PowerSSO-12

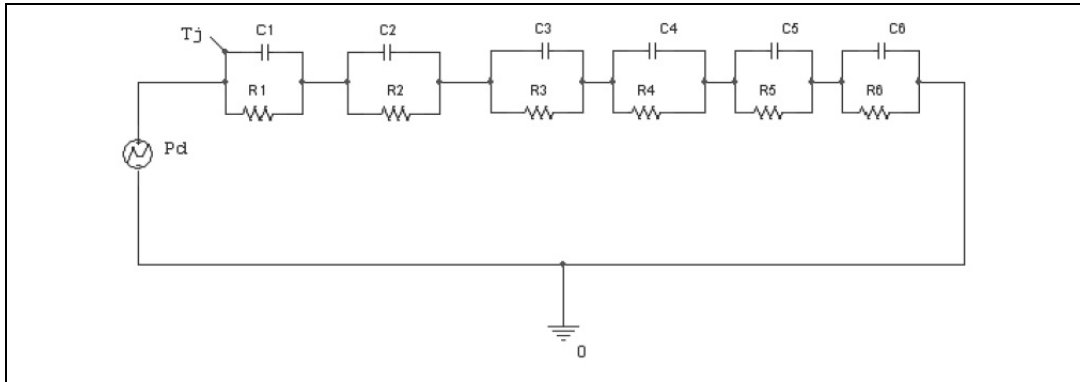


Table 10. Thermal parameter

Area/island (cm ²)	Footprint	2	8
R1 (°C/W)	0.1		
R2 (°C/W)	0.2		
R3 (°C/W)	7		
R4 (°C/W)	10	10	9
R5 (°C/W)	22	15	10
R6 (°C/W)	26	20	15
C1 (W.s/°C)	0.0001		
C2 (W.s/°C)	0.002		
C3 (W.s/°C)	0.05		
C4 (W.s/°C)	0.2	0.1	0.1
C5 (W.s/°C)	0.27	0.8	1
C6 (W.s/°C)	3	6	9

9 Reverse polarity protection

This schematic can be used with any type of load.

The following is an indication on how to dimension the R_{GND} resistor.

$$R_{GND} = (-V_{CC}) / (-I_{GND})$$

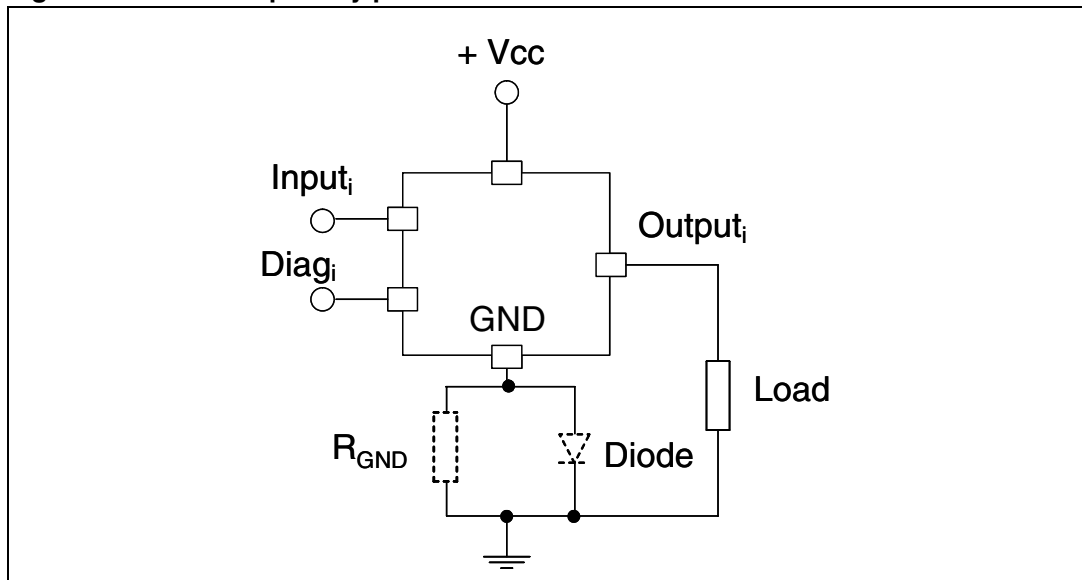
where $-I_{GND}$ is the DC reverse ground pin current and can be found in the absolute maximum rating section of the device datasheet.

Power dissipation in R_{GND} (when $V_{CC} < 0$: during reverse polarity situations) is:

$$PD = (-V_{CC})^2 / R_{GND}$$

Note: In normal condition (no reverse polarity) due to the diode there will be a voltage drop between GND of the device and GND of the system.

Figure 14. Reverse polarity protection



10 Package mechanical data

In order to meet environmental requirements, ST offers these devices in different grades of ECOPACK[®] packages, depending on their level of environmental compliance. ECOPACK[®] specifications, grade definitions and product status are available at: www.st.com. ECOPACK is an ST trademark.

Table 11. PowerSSO-12™ mechanical data

Symbol	mm		
	Min.	Typ.	Max.
A	1.250		1.620
A1	0.000		0.100
A2	1.100		1.650
B	0.230		0.410
C	0.190		0.250
D	4.800		5.000
E	3.800		4.000
e		0.800	
H	5.800		6.200
h	0.250		0.500
L	0.400		1.270
k	0°		8°
X	1.900		2.500
Y	3.600		4.200
ddd			0.100

Figure 15. PowerSSO-12™ package dimensions

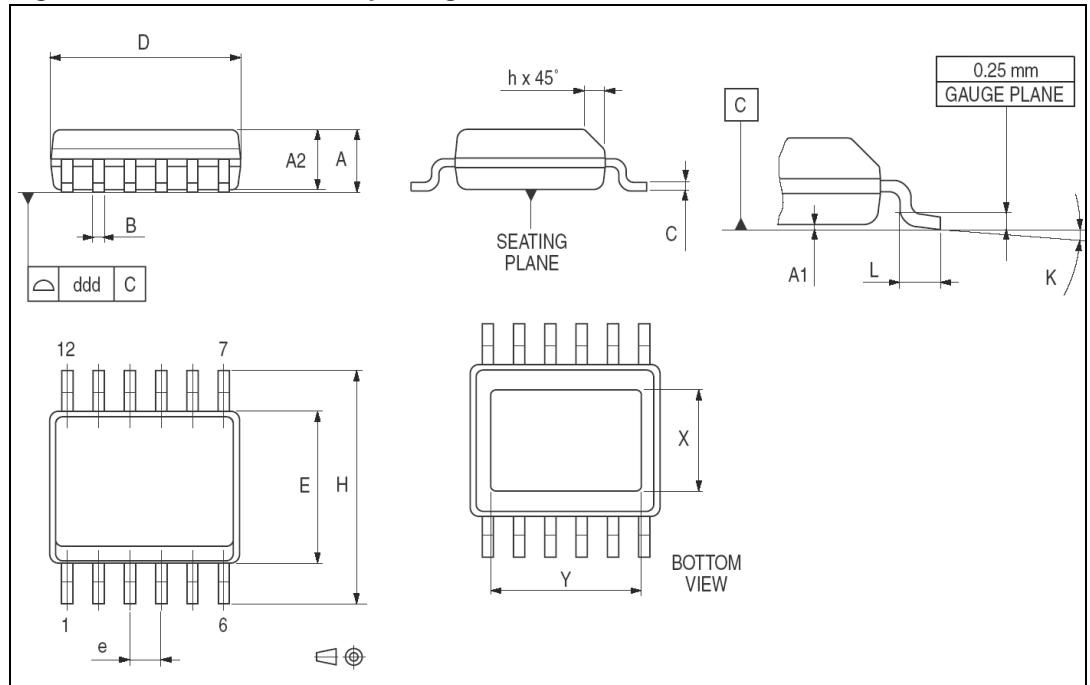


Figure 16. PowerSSO-12™ tube shipment (no suffix)

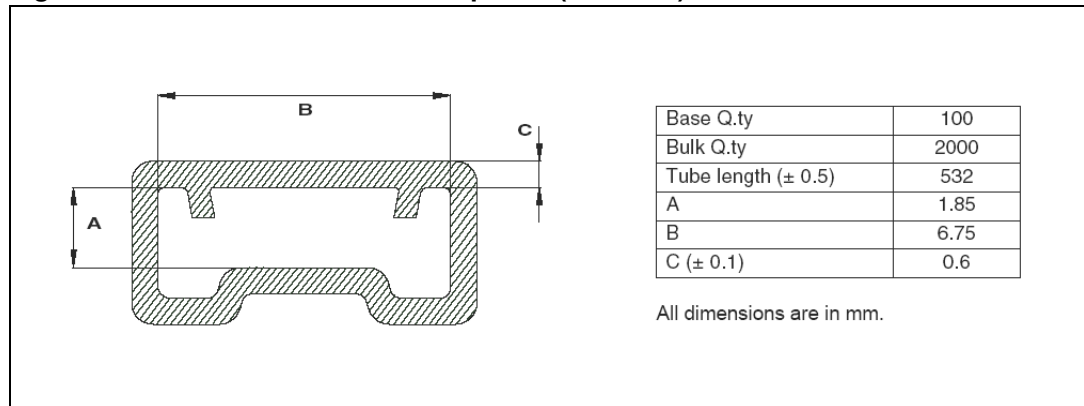


Figure 17. PowerSSO-12™ tape and reel shipment (suffix “TR”)

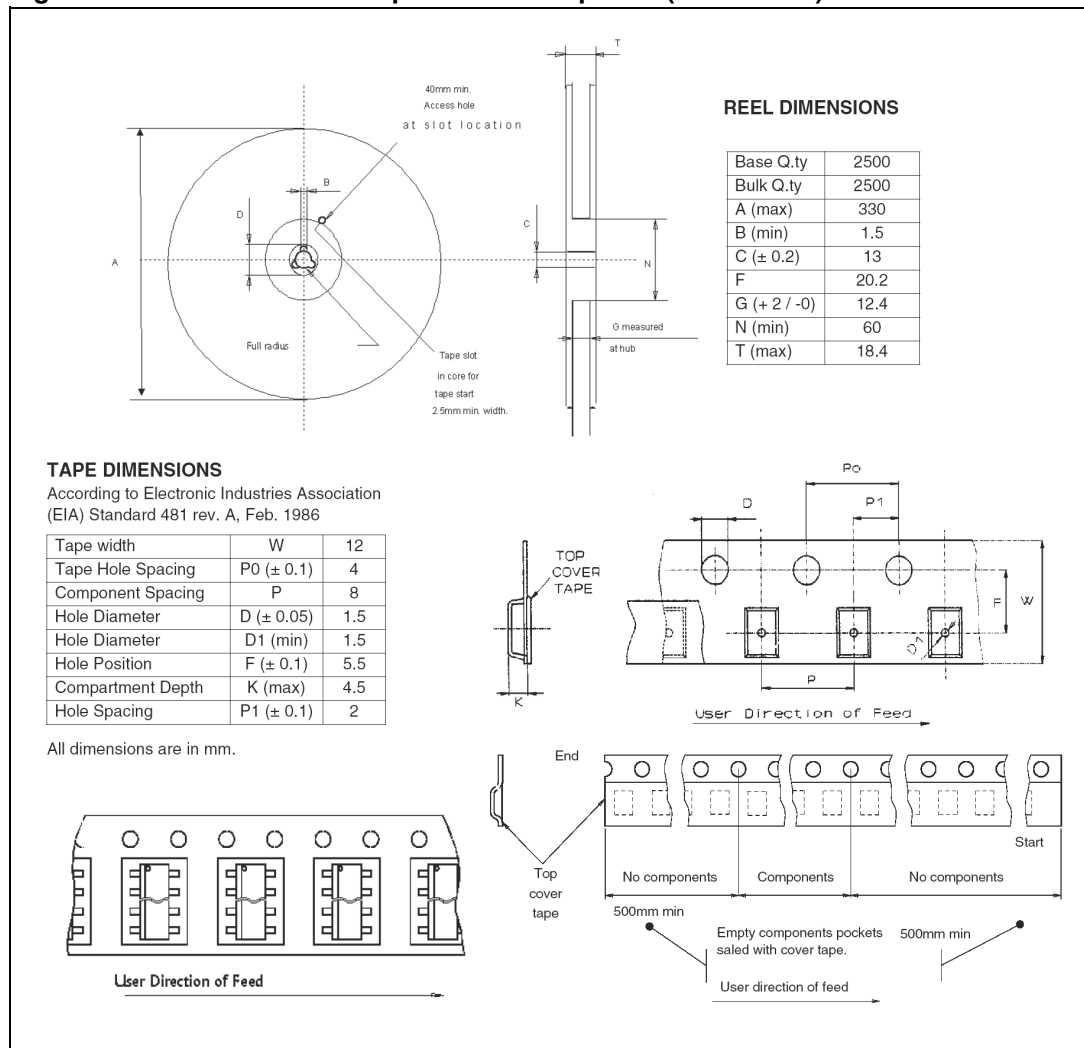
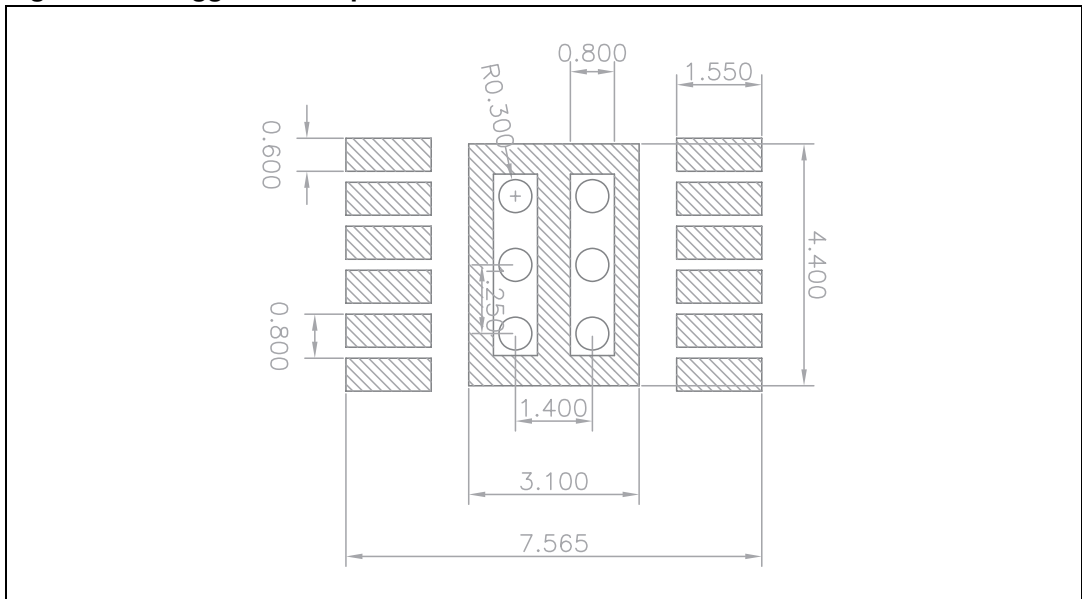


Figure 18. Suggested footprint



11 Revision history

Table 12. Document revision history

Date	Revision	Changes
16-Dec-2008	1	Initial release
29-Apr-2009	2	Updated Table 5 on page 6
03-Jul-2009	3	Updated features in coverpage and Table 5 on page 6
27-Aug-2009	4	Updated Section 9: Reverse polarity protection
25-Mar-2010	5	Updated Coverpage and Table 4 on page 5
26-Apr-2010	6	Updated Table 5 on page 6
21-Jul-2010	7	Updated Table 8 on page 7
15-Nov-2011	8	Updated Figure 18 on page 21

Please Read Carefully:

Information in this document is provided solely in connection with ST products. STMicroelectronics NV and its subsidiaries ("ST") reserve the right to make changes, corrections, modifications or improvements, to this document, and the products and services described herein at any time, without notice.

All ST products are sold pursuant to ST's terms and conditions of sale.

Purchasers are solely responsible for the choice, selection and use of the ST products and services described herein, and ST assumes no liability whatsoever relating to the choice, selection or use of the ST products and services described herein.

No license, express or implied, by estoppel or otherwise, to any intellectual property rights is granted under this document. If any part of this document refers to any third party products or services it shall not be deemed a license grant by ST for the use of such third party products or services, or any intellectual property contained therein or considered as a warranty covering the use in any manner whatsoever of such third party products or services or any intellectual property contained therein.

UNLESS OTHERWISE SET FORTH IN ST'S TERMS AND CONDITIONS OF SALE ST DISCLAIMS ANY EXPRESS OR IMPLIED WARRANTY WITH RESPECT TO THE USE AND/OR SALE OF ST PRODUCTS INCLUDING WITHOUT LIMITATION IMPLIED WARRANTIES OF MERCHANTABILITY, FITNESS FOR A PARTICULAR PURPOSE (AND THEIR EQUIVALENTS UNDER THE LAWS OF ANY JURISDICTION), OR INFRINGEMENT OF ANY PATENT, COPYRIGHT OR OTHER INTELLECTUAL PROPERTY RIGHT.

UNLESS EXPRESSLY APPROVED IN WRITING BY TWO AUTHORIZED ST REPRESENTATIVES, ST PRODUCTS ARE NOT RECOMMENDED, AUTHORIZED OR WARRANTED FOR USE IN MILITARY, AIR CRAFT, SPACE, LIFE SAVING, OR LIFE SUSTAINING APPLICATIONS, NOR IN PRODUCTS OR SYSTEMS WHERE FAILURE OR MALFUNCTION MAY RESULT IN PERSONAL INJURY, DEATH, OR SEVERE PROPERTY OR ENVIRONMENTAL DAMAGE. ST PRODUCTS WHICH ARE NOT SPECIFIED AS "AUTOMOTIVE GRADE" MAY ONLY BE USED IN AUTOMOTIVE APPLICATIONS AT USER'S OWN RISK.

Resale of ST products with provisions different from the statements and/or technical features set forth in this document shall immediately void any warranty granted by ST for the ST product or service described herein and shall not create or extend in any manner whatsoever, any liability of ST.

ST and the ST logo are trademarks or registered trademarks of ST in various countries.

Information in this document supersedes and replaces all information previously supplied.

The ST logo is a registered trademark of STMicroelectronics. All other names are the property of their respective owners.

© 2011 STMicroelectronics - All rights reserved

STMicroelectronics group of companies

Australia - Belgium - Brazil - Canada - China - Czech Republic - Finland - France - Germany - Hong Kong - India - Israel - Italy - Japan - Malaysia - Malta - Morocco - Philippines - Singapore - Spain - Sweden - Switzerland - United Kingdom - United States of America

www.st.com

Mouser Electronics

Authorized Distributor

Click to View Pricing, Inventory, Delivery & Lifecycle Information:

[STMicroelectronics:](#)

[VNI2140J](#) [VNI2140JTR](#)