

## 5 V, 1 A H-Bridge Motor Driver

### DESCRIPTION

The SiP2100 is an integrated, buffered H-bridge with TTL and CMOS compatible inputs with the capability of delivering up to 1 A continuous current at 5 V  $V_{DD}$  supply.

The SiP2100 has two independent logic inputs that can set four different motor operation modes: normal rotation, reverse rotation, stop (idling) and braking. The internal shoot-through protection logic also prevents upper and lower outputs from being turned on simultaneously.

The SiP2100 offers high efficiency with an extremely low operating current. The device also benefits from over temperature protection with a shut down hysteresis of 20 °C.

The SiP2100 is available in SOIC8 package.

### FEATURES

- 1 A drive capability
- Optimized for 5 V  $V_{DD}$  bias
- Extremely low idle current
- Shoot-through protection scheme
- Thermal shutdown
- Material categorization: For definitions of compliance please see [www.vishay.com/doc?99912](http://www.vishay.com/doc?99912)



**RoHS**  
COMPLIANT  
HALOGEN  
**FREE**

### APPLICATIONS

- High performance servo
- Optical/tape disk drives
- Brush/stepper motor driver

### PACKAGE OUTLINE

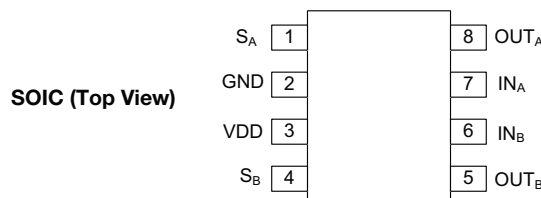


Fig. 1 - Package and Pinout

### FUNCTIONAL BLOCK DIAGRAM AND TRUTH TABLE

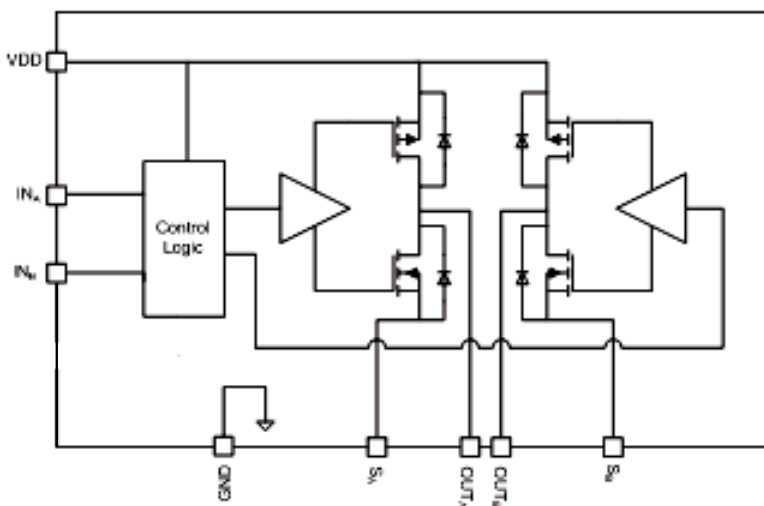


Fig. 2 - Functional Block Diagram

TRUTH TABLE			
IN <sub>A</sub>	IN <sub>B</sub>	OUT <sub>A</sub>	Out <sub>B</sub>
1	0	1	0
0	1	0	1
0	0	0	0
1	1	HiZ	HiZ



<b>ABSOLUTE MAXIMUM RATINGS</b> ( $T_A = 25\text{ }^\circ\text{C}$ , unless otherwise noted)			
Electrical Parameter	Conditions	Limits	Unit
$V_{DD}$	Reference to GND	- 0.3 to 6	V
$OUT_A, OUT_B$	Reference to GND	- 0.3 to 6	
$S_A, S_B$	Reference to GND	- 0.3 to 1	
$IN_A, IN_B$	Reference to GND	- 0.3 to $V_{DD}$	
<b>Temperature</b>			
Operating Temperature		- 40 to 85	$^\circ\text{C}$
Max. Operating Junction Temperature		150	

Stresses beyond those listed under "Absolute Maximum Ratings" may cause permanent damage to the device. These are stress ratings only, and functional operation of the device at these or any other conditions beyond those indicated in the operational sections of the specifications is not implied. Exposure to absolute maximum rating/conditions for extended periods may affect device reliability.

<b>RECOMMENDED OPERATING CONDITIONS</b>				
Parameter	Min.	Typ.	Max.	Unit
$V_{DD}$	3.8	5	5.5	V
<b>Temperature</b>				
Operating Junction Temperature	0		125	$^\circ\text{C}$
Recommended Ambient Temperature	0		70	

<b>THERMAL RESISTANCE RATINGS</b>			
Parameter		Max.	Unit
Thermal Resistance (Junction to Ambient)	SO-8, $R_{thJA}$	153	$^\circ\text{C}/\text{W}$
	SO-8 PowerPAD, $R_{thJC}$	40	
Power Dissipation	SO-8, $T_A = 70\text{ }^\circ\text{C}$	522	mW
	SO-8 PowerPAD, $T_A = 70\text{ }^\circ\text{C}$	2	W
Junction Temperature		- 65 to 150	$^\circ\text{C}$
Storage Temperature		- 55 to 150	



<b>SPECIFICATIONS</b> ( $T_A = 25\text{ }^\circ\text{C}$ , unless otherwise specified)							
Parameter	Symbol	Test Conditions $V_{DD} = 5\text{ V}$	Limits			Unit	
			Min. <sup>a</sup>	Typ. <sup>b</sup>	Max. <sup>a</sup>		
<b>Driver Power Supply</b>							
$V_{DD}$ Bias Supply Current	$I_{DD}$	IN = 100 kHz		250	300	$\mu\text{A}$	
		IN = 20 kHz		150	180		
		Quiescent state		50			
$V_{DD}$ Rising Threshold	$V_{DD\ TH\_R}$	$V_{DD}$ rising		2.8	3	V	
$V_{DD}$ Falling Threshold	$V_{DD\ TH\_F}$	$V_{DD}$ falling	2	2.5			
$V_{DD}$ UVLO Hysteresis	$V_{DD\ UVLO}$			300		mV	
<b>Input Logic</b>							
Input Voltage High	$V_{IN\_H}$		2			V	
Input Voltage Low	$V_{IN\_L}$				0.7		
Input Sourcing Current	$I_{IN\_H}$				1	$\mu\text{A}$	
Input Sinking Current	$I_{IN\_L}$		-1				
<b>Output Stage</b>							
Output Voltage High	$V_{OUT\_H}$	$I_{OUT} = -500\text{ mA}$	$V_{DD} = 4.75\text{ V}$	4.4		V	
		$I_{OUT} = -1000\text{ mA}$		4.25			
Output Voltage Low	$V_{OUT\_L}$	$I_{OUT} = +500\text{ mA}$					0.25
		$I_{OUT} = +1000\text{ mA}$					0.5
Output High Propagation Delay	$TP_{LH}$			20	25	nS	
Output Low Propagation Delay	$TP_{HL}$			20	25		
<b>Thermal Protection</b>							
Thermal Shutdown Threshold				150		$^\circ\text{C}$	
Thermal Shutdown Hysteresis				20			

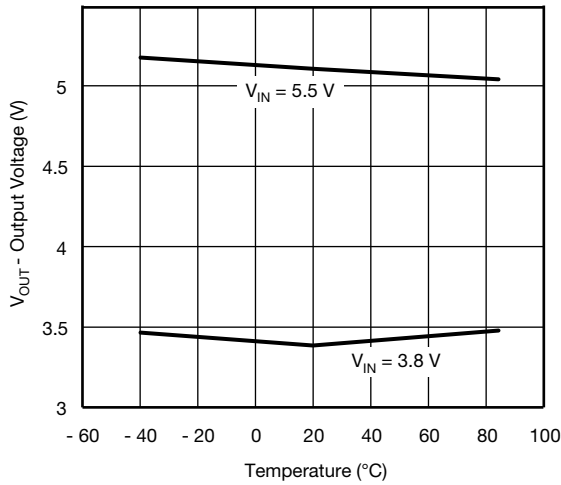
Notes:

a. Pulse test; pulse width  $\leq 300\text{ }\mu\text{s}$ , duty cycle  $\leq 2\%$ .

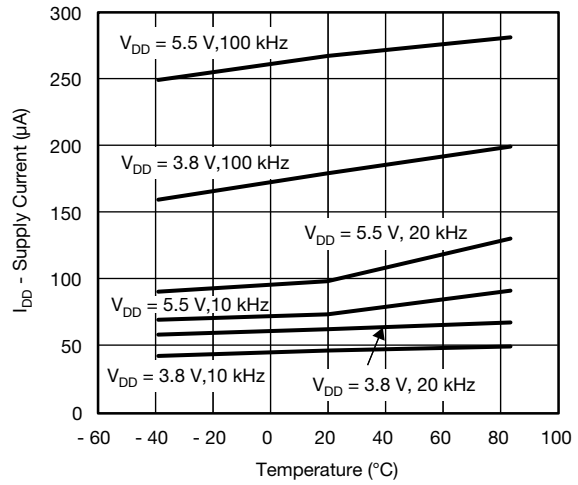
b. Guaranteed by design, not subject to production testing.

<b>PIN DESCRIPTION (SOIC PACKAGE)</b>		
Pin Number	Name	Function
1	$S_A$	Driver output return A
2	GND	Analog ground of internal logic
3	$V_{DD}$	Input of internal logic bias and power stage
4	$S_B$	Driver output return B
5	$OUT_B$	Driver output B
6	$IN_B$	Driver input B
7	$IN_A$	Driver input A
8	$OUT_A$	Driver output A

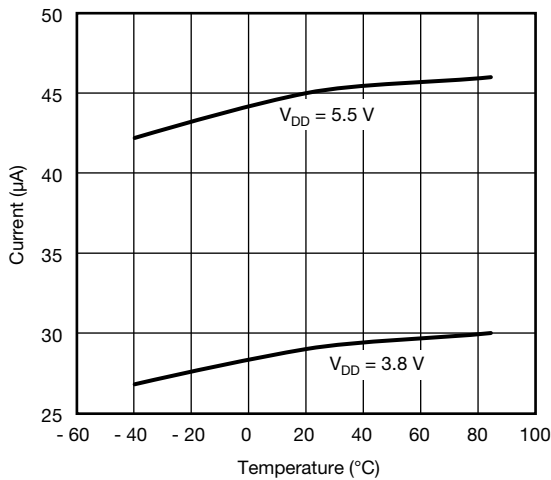
**TYPICAL CHARACTERISTICS** (25 °C, unless otherwise noted)



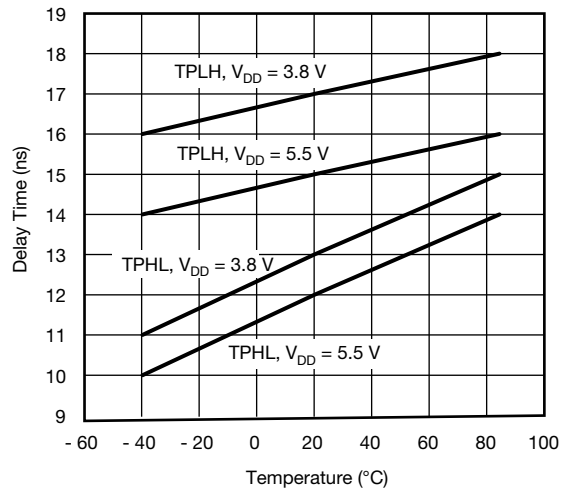
**Fig 1. Output Voltage vs. Temperature (at 1.5 A Load)**



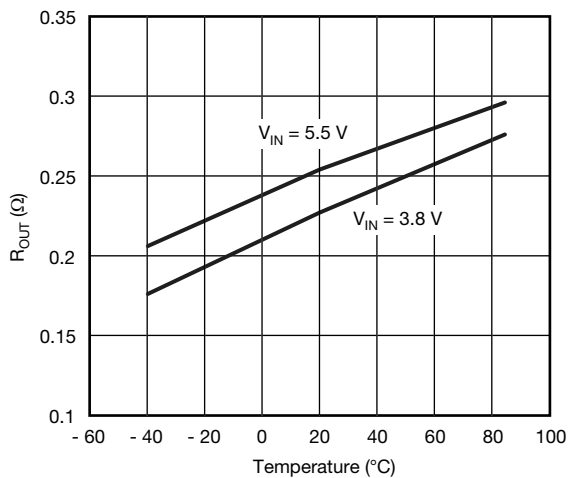
**Fig 2. Supply Current  $I_{DD}$  vs. Temperature**



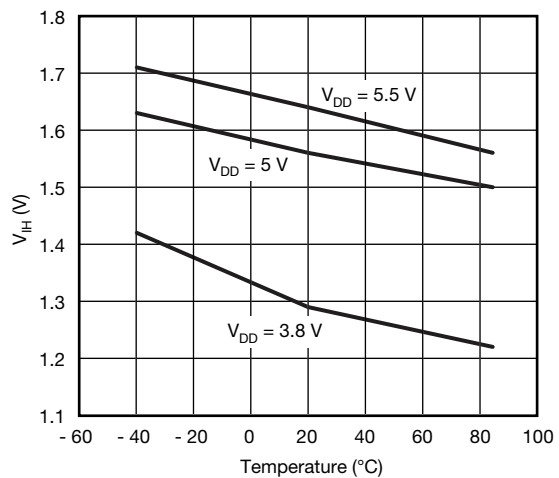
**Fig 3. Quiescent Current vs. Temperature**



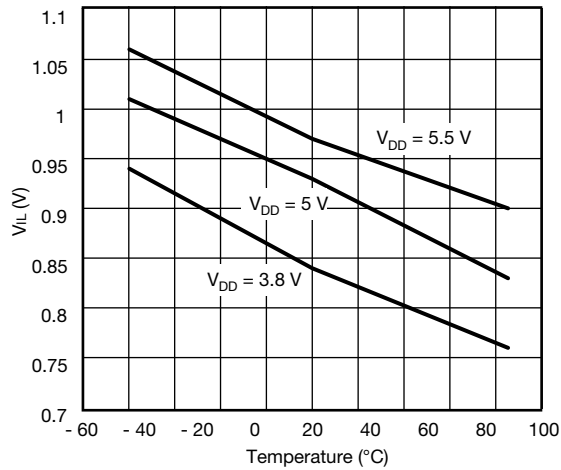
**Fig 4. Propagation Delay vs. Temperature**



**Fig 5.  $R_{OUT}$  vs. Temperature**



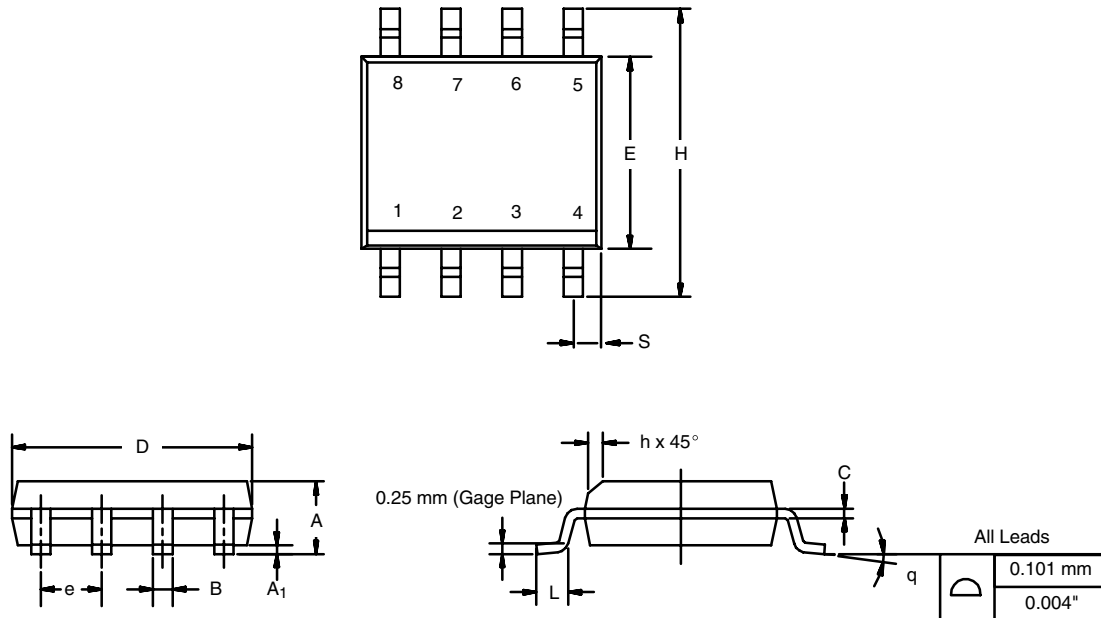
**Fig 6. PWM Rising Threshold vs. Temperature**


**TYPICAL CHARACTERISTICS** (25 °C, unless otherwise noted)

**Fig 7. PWM Falling Threshold vs. Temperature**

Vishay Siliconix maintains worldwide manufacturing capability. Products may be manufactured at one of several qualified locations. Reliability data for Silicon Technology and Package Reliability represent a composite of all qualified locations. For related documents such as package/tape drawings, part marking, and reliability data, see [www.vishay.com/ppg?63949](http://www.vishay.com/ppg?63949).

## SOIC (NARROW): 8-LEAD

JEDEC Part Number: MS-012



DIM	MILLIMETERS		INCHES	
	Min	Max	Min	Max
A	1.35	1.75	0.053	0.069
A <sub>1</sub>	0.10	0.20	0.004	0.008
B	0.35	0.51	0.014	0.020
C	0.19	0.25	0.0075	0.010
D	4.80	5.00	0.189	0.196
E	3.80	4.00	0.150	0.157
e	1.27 BSC		0.050 BSC	
H	5.80	6.20	0.228	0.244
h	0.25	0.50	0.010	0.020
L	0.50	0.93	0.020	0.037
q	0°	8°	0°	8°
S	0.44	0.64	0.018	0.026
ECN: C-06527-Rev. I, 11-Sep-06				
DWG: 5498				



## **Disclaimer**

ALL PRODUCT, PRODUCT SPECIFICATIONS AND DATA ARE SUBJECT TO CHANGE WITHOUT NOTICE TO IMPROVE RELIABILITY, FUNCTION OR DESIGN OR OTHERWISE.

Vishay Intertechnology, Inc., its affiliates, agents, and employees, and all persons acting on its or their behalf (collectively, "Vishay"), disclaim any and all liability for any errors, inaccuracies or incompleteness contained in any datasheet or in any other disclosure relating to any product.

Vishay makes no warranty, representation or guarantee regarding the suitability of the products for any particular purpose or the continuing production of any product. To the maximum extent permitted by applicable law, Vishay disclaims (i) any and all liability arising out of the application or use of any product, (ii) any and all liability, including without limitation special, consequential or incidental damages, and (iii) any and all implied warranties, including warranties of fitness for particular purpose, non-infringement and merchantability.

Statements regarding the suitability of products for certain types of applications are based on Vishay's knowledge of typical requirements that are often placed on Vishay products in generic applications. Such statements are not binding statements about the suitability of products for a particular application. It is the customer's responsibility to validate that a particular product with the properties described in the product specification is suitable for use in a particular application. Parameters provided in datasheets and / or specifications may vary in different applications and performance may vary over time. All operating parameters, including typical parameters, must be validated for each customer application by the customer's technical experts. Product specifications do not expand or otherwise modify Vishay's terms and conditions of purchase, including but not limited to the warranty expressed therein.

Except as expressly indicated in writing, Vishay products are not designed for use in medical, life-saving, or life-sustaining applications or for any other application in which the failure of the Vishay product could result in personal injury or death. Customers using or selling Vishay products not expressly indicated for use in such applications do so at their own risk. Please contact authorized Vishay personnel to obtain written terms and conditions regarding products designed for such applications.

No license, express or implied, by estoppel or otherwise, to any intellectual property rights is granted by this document or by any conduct of Vishay. Product names and markings noted herein may be trademarks of their respective owners.

# Mouser Electronics

Authorized Distributor

Click to View Pricing, Inventory, Delivery & Lifecycle Information:

Vishay:

[SIP2100DY-T1-GE3](#)