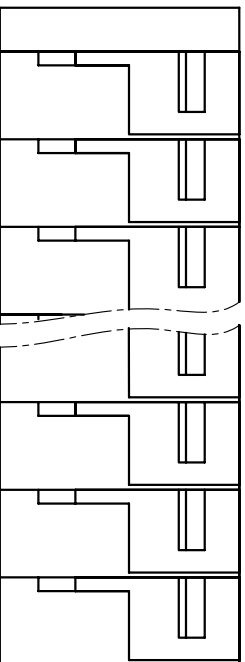
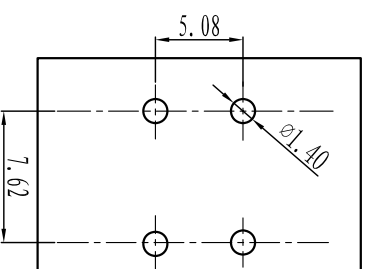
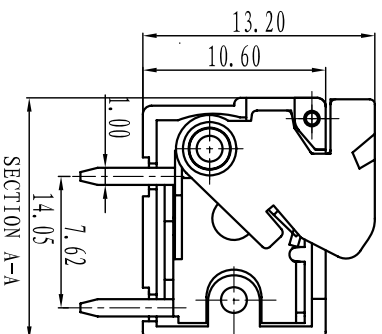
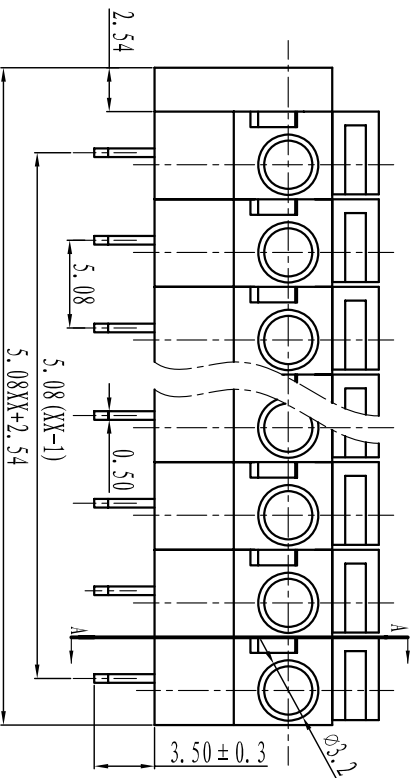




慈溪市万捷电子有限公司

CIXI WANJIE ELECTRONIC CO., LTD

产品规格书
product specification



电气性能/Electrical

参考标准/Standard: UL IEC
 额定电压/Rated voltage: 300V 250V
 额定电流/Rated current: 10A 15A
 使用线径/Wire range: 22-16AWG 1.5mm²
 耐电压/Withstanding voltage: AC2000V/1Min
 绝缘电阻/Insulation resistance: 500M Ω /DC500V
机械性能/Mechanical

温度范围/Temp.Range: -40 $^{\circ}$ C~+105 $^{\circ}$ C
 瞬间温度/MAX Soldering: +250 $^{\circ}$ C, for 5 Sec

剥线长度/Strip length: 10mm

尺寸/Dimensions

间距/Pitch: 5.08mm 7.62mm

极数/Poles: 1P-XXP

材质及电镀/Material

塑件/Housing: P166, UL94V-0

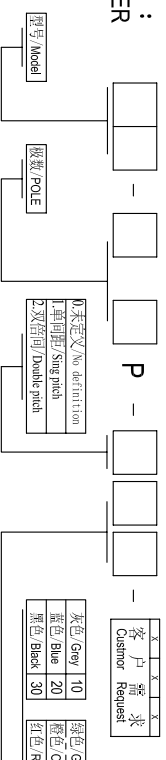
簧片/Wire guard: Stainless steel(SUS301)

焊脚/Pin header: Brass, Tin plated

TOLERANCES EXCEPT AS NOTED

| | | | | | | | |
|----------------|------------------|----------------|-----------------|-----------------|--------------|---------------|----------------|
| | linear dimension | fillet | chamfer | short angle sid | □ | ∥ | ⊥ |
| variable range | over 6 to 30 | over 30 to 120 | over 120 to 480 | all to 6 | over 6 to 10 | over 10 to 50 | over 50 to 120 |
| tolerance | ±0.1 | ±0.2 | ±0.3 | ±0.5 | ±0.9 | ±0.2 | ±0.5 |
| | over 6 to 30 | over 30 to 120 | over 120 to 480 | all to 6 | over 6 to 10 | over 10 to 50 | over 50 to 120 |
| | ±0.1 | ±0.2 | ±0.3 | ±0.5 | ±1 | 1 $^{\circ}$ | 30 $^{\circ}$ |
| | over 6 to 30 | over 30 to 120 | over 120 to 480 | all to 6 | over 6 to 10 | over 10 to 50 | over 50 to 120 |
| | ±0.1 | ±0.2 | ±0.3 | ±0.5 | ±0.5 | 0.025 | 0.06 |
| | over 6 to 30 | over 30 to 120 | over 120 to 480 | all to 6 | over 6 to 10 | over 10 to 50 | over 50 to 120 |
| | ±0.1 | ±0.2 | ±0.3 | ±0.5 | ±1 | 0.12 | 0.4 |

订购方式: HOW TO ORDER



| | | | | | |
|----------|----|-----------|----|----------------|----|
| 灰色/Grey | 10 | 绿色/Green | 40 | 透明/Transparent | 70 |
| 蓝色/Blue | 20 | 橙色/Orange | 50 | 黄色/Yellow | 80 |
| 黑色/Black | 30 | 红色/Red | 60 | 白色/White | 90 |

单位/UNITS mm 尺寸/SIZE A4 比例/SCALE

第一视角/FIRST ANGLE PROJECTION



慈溪市万捷电子有限公司
CIXI WANJIE ELECTRONIC CO., LTD

名称/NAME WJ142R-5.08-XXP-1YY-00A