

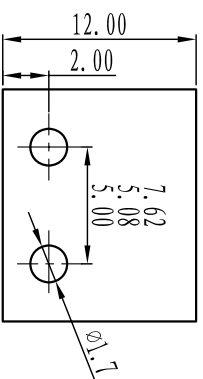
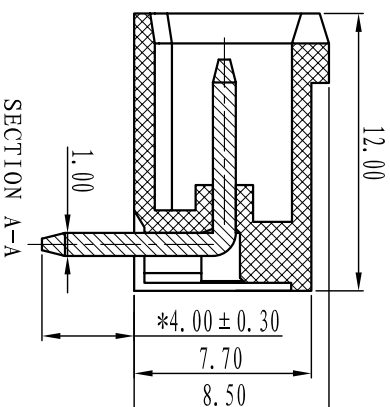
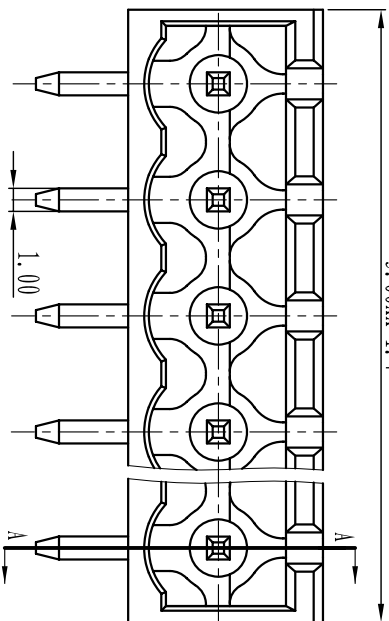


慈溪市万捷电子有限公司

CIXI WANJIE ELECTRONIC CO., LTD

产品规格书
product specification

7.62XX-0.6
5.08XX+1.4
5.00XX+1.4



电气性能/Electrical

参考标准/Standard: UL IEC
额定电压/Rated voltage: 300V 320V
额定电流/Rated current: 15A 20A
接触电阻/Contact resistance: 20m Ω

耐电压/Withstanding voltage: AC2000V/1Min

绝缘电阻/Insulation resistance: 500M Ω /DC500V

机械性能/Mechanical

温度范围/Temp.Range: -40 $^{\circ}$ C $^{+}$ +105 $^{\circ}$ C

瞬间温度/MAX Soldering: +250 $^{\circ}$ C, for 5 Sec

尺寸/Dimensions

间距/Pitch: 5.00mm, 5.08mm, 7.62mm
极数/Poles: 2P-24P

材质及电镀/Material

塑件/Housing: PA66, UL94V-0

焊针/Pin header: Brass, Tin plated

TOLERANCES EXCEPT AS NOTED

	linear dimension	fillet	chamfer	short angle sid	\equiv	\square	\parallel	\perp
variable range	6 to 30 over 60	all to 6	over 6 to 10	over 10 to 50 over 50 to 120	all to 5	over 5 to 30 over 30 to 120	over 120	
tolerance	± 0.1 ± 0.2 ± 0.3 ± 0.5 ± 0.9	± 0.2 ± 0.5	± 1	1° $30'$	0.5 0.025	over 0.06 over 0.12	0.4	

订购方式：
HOW TO ORDER

型号/Model
 极数/POLE
 P
 客户请求
 颜色/Color
 第一视角/First angle projection

颜色/Color	10	20	30	40	50	60	70	80	90
灰色/Blue	绿色/Green	棕色/Orange	红色/Red	透明/Transparent	黄色/Yellow	白色/White			

单位/UNITS	尺寸/SIZE	A4	比例/SCALE
----------	---------	----	----------



慈溪市万捷电子有限公司
CIXI WANJIE ELECTRONIC CO., LTD

名称/NAME

WJ2E06RC-XXP-1YY-00A